

PART NAME: KNOB

SCALE: 1:1

DATE: 8/4/86

DR. BY HD

THIS DRAWING IS THE PROPERTY OF DAVIES MOLDING COMPANY, IS SUBMITTED SOLELY AS A DESIGN OR ENGINEERING PROJECT. WE ACCEPT NO RESPONSIBILITY WHATSOEVER FOR THE PRACTICAL APPLICATION OF THE PIECES MADE TO THIS DESIGN.



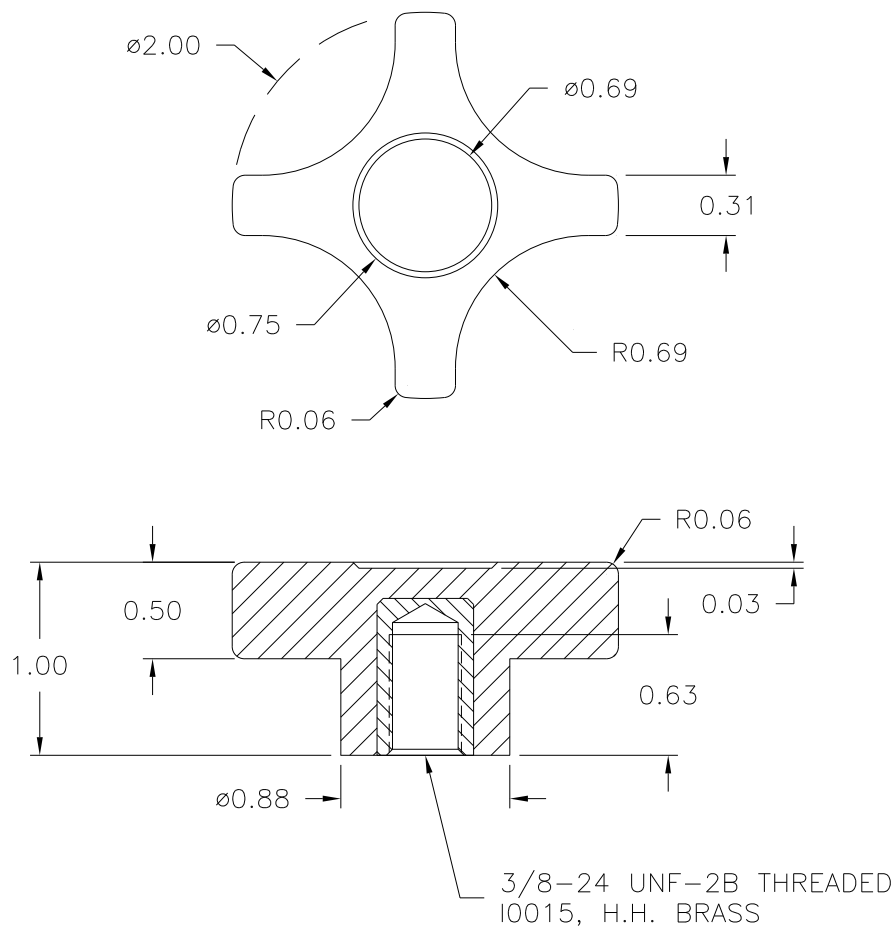
DESIGNERS & MANUFACTURERS OF KNOBS, HANDLES, CASES & CUSTOM PLASTIC COMPONENTS

P/N 2830-V

M^{NO.} 2890-2830

CAVITY	2830
PLUNGER	2830
PLUNGER PIN	2830
PINS	3000-F&F2
LANDING BAR	.472
PIN PLATE SHIM	.498
SHIM	.018
INSERT	I0015
CAVITY KEY	1/8x1/4x1 1/8
PLUNGER KEY	1/8x1/4x1 1/8

(A)



MATERIAL: #4311 PLENCO PHENOLIC (B41)
 COLOR: BLACK

TOLERANCES: UNLESS OTHERWISE SPECIFIED	DO NOT SCALE DRAWING	A	SHIM WAS .078	ST	5/10/01
DECIMALS: X.XXX \pm .005 X.XX \pm .015	MM: X.XX \pm 0.15MM X.X \pm 0.4MM	-	RE-DID REDRAW	TL	11/19/99
FRACTIONS \pm 1/64	ANG. \pm 1°	-	CAD REDRAW	HD	4/13/93
CHANGES					