

10 9 8 7 6 5 4 3 2 1

F

E

D

C

B

A

F

E

D

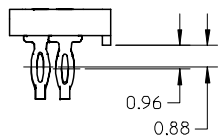
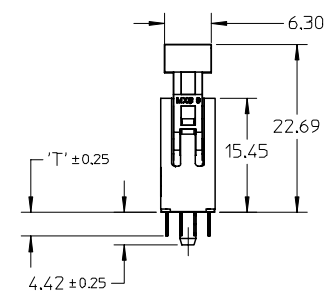
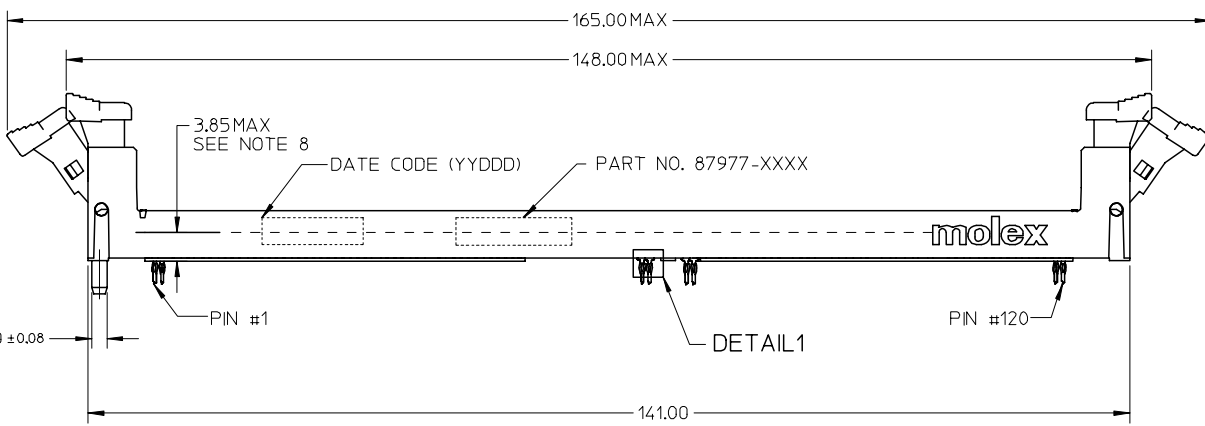
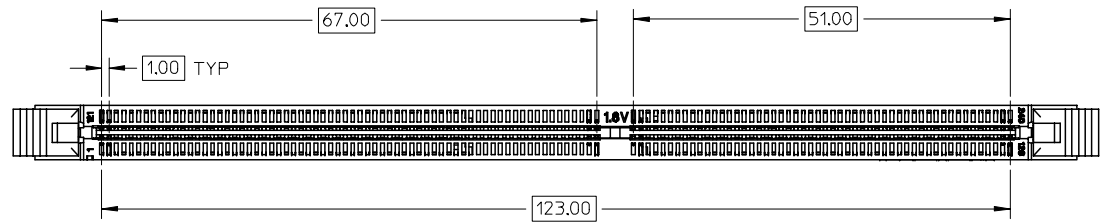
C

B

A

NOTES:

1. MATERIALS
 HOUSING - HIGH TEMP. NYLON, GLASS FILLED, UL 94V-0, BLACK
 EJECTOR - HIGH TEMP. NYLON, GLASS FILLED, UL 94V-0, NATURAL
 BASE PLATE - HIGH TEMP. NYLON, GLASS FILLED, UL 94V-0
 TERMINAL - COPPER ALLOY
2. PLATING - SEE TABLE IN SHEET 5.
3. CARD SLOT ACCEPTS 1.27±0.10 MM MODULE THICKNESS.
 (MEASURED OVER P.C. PADS)
4. RECOMMENDED MODULE LAYOUT SHALL BE AS PER JEDEC MO-14-066.
5. REFER TO PRODUCT SPEC. PS-87977-030 FOR PERFORMANCE SPECIFICATIONS.
6. PRODUCT SHALL BE PACKED IN TRAY.
7. PRODUCT SHALL HAVE DATE CODE STAMPED ON SIDE OF HOUSING.
8. PRODUCT IS SUITABLE FOR WAVE SOLDERING ONLY.
9. KEEP OUT AREA IS THE AREA WHERE THE CONNECTOR IS MOUNTED ONTO THE PCB WHICH DOES NOT INCLUDE THE LATCH.
10. REFER TO CRITICAL JEDEC INFORMATION FOR SOCKET OUTLINE PER S0-001.
11. DIMM MODULE SEATING PLANE FROM TOP OF PCB.
12. CONTACT MOLEX FOR AVAILABILITY OF PRODUCT OPTIONS.



DETAIL 1

EC NO: S2006-0241	2005/09/01	2005/09/01	2005/09/02
DRWN: CCTEH	CHKD: SRRAMESH	APPR: GGLEE	
REV	DESCRIPTION		
A			

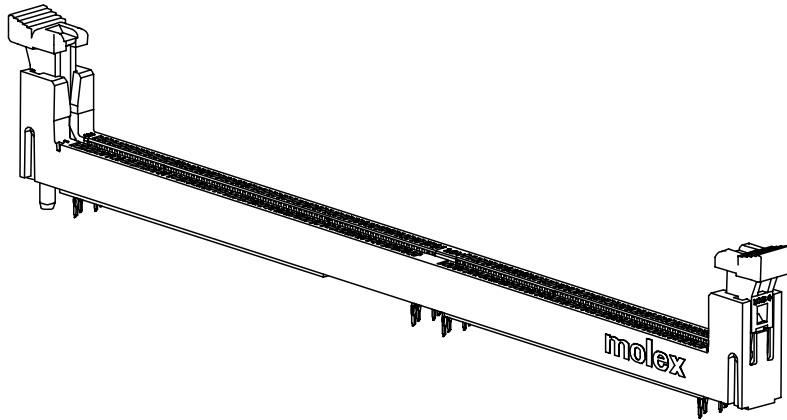
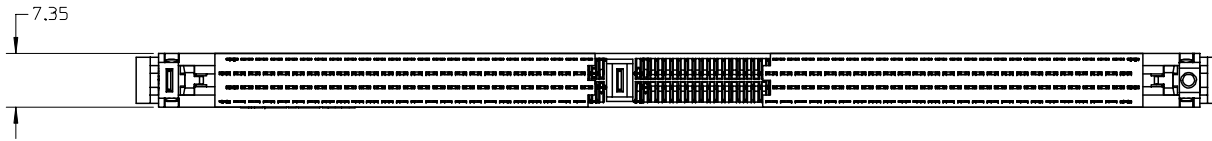
QUALITY SYMBOLS	▽=0
	∇=0

GENERAL TOLERANCES (UNLESS SPECIFIED)	mm	INCH
	4 PLACES ± ---	± ---
	3 PLACES ± ---	± ---
	2 PLACES ± 0.20	± ---
	1 PLACE ± ---	± ---
	ANGULAR ± 5 °	
DRAFT WHERE APPLICABLE MUST REMAIN WITHIN DIMENSIONS		

DIMENSION STYLE		SCALE	DESIGN UNITS	THIRD ANGLE PROJECTION
MM ONLY		NTS	METRIC	
DRAWN BY	DATE	TITLE		
CCTEH	2005/01/10	SALES DRAWING		
CHECKED BY	DATE	DDR FB DIMM 1.00MM PITCH		
SRRAMESH	2005/08/30	240 CKTS VERT. PRESS-FIT		
APPROVED BY	DATE	MOLEX INCORPORATED		
GGLEE	2005/08/30			
MATERIAL NO.	DOCUMENT NO.	SHEET NO.		
	SD-87977-020	1 OF 5		
SIZE	THIS DRAWING CONTAINS INFORMATION THAT IS PROPRIETARY TO MOLEX INCORPORATED AND SHOULD NOT BE USED WITHOUT WRITTEN PERMISSION			
A3				

9 8 7 6 5 4 3 2 1

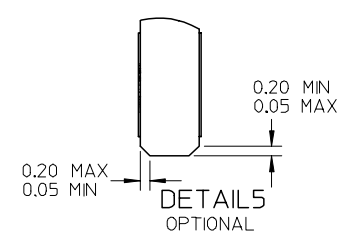
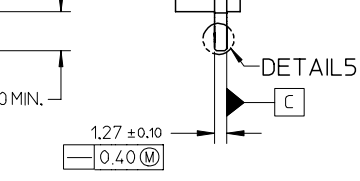
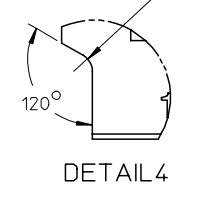
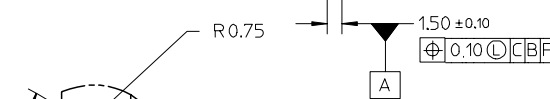
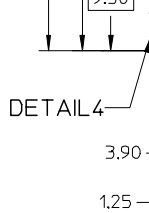
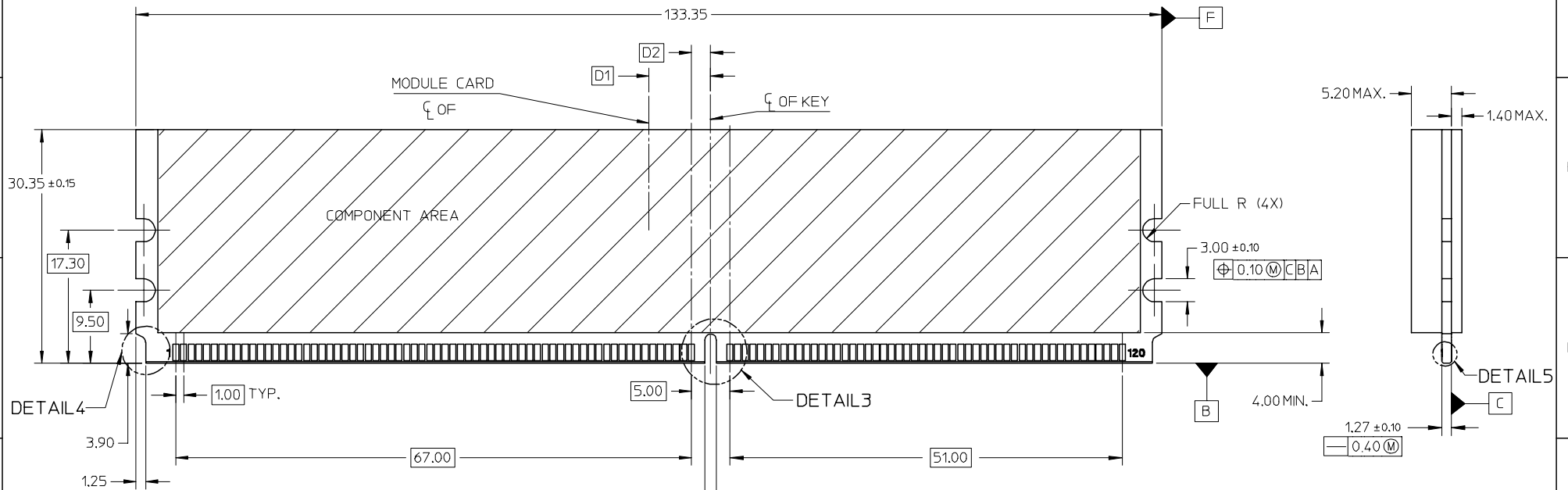
10 9 8 7 6 5 4 3 2 1



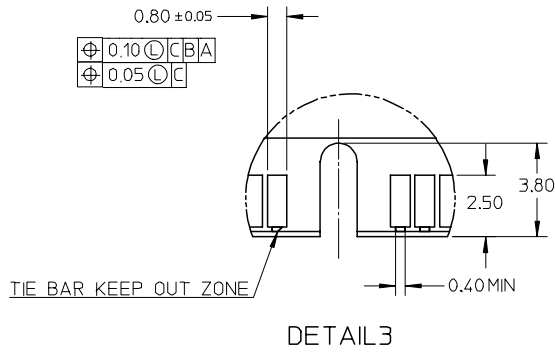
EC NO: S2006-0241 DRWN: CCTEH 2005/09/01 CHKD: SRRAMESH 2005/09/01 APPR: GGLEE 2005/09/02	DESCRIPTION REV	QUALITY SYMBOLS ▽=0 ▽=0	GENERAL TOLERANCES (UNLESS SPECIFIED)		DIMENSION STYLE MM ONLY		SCALE NTS	DESIGN UNITS METRIC	THIRD ANGLE PROJECTION		
			4 PLACES ± --- ± --- 3 PLACES ± --- ± --- 2 PLACES ± 0.20 ± --- 1 PLACE ± --- ± ---	mm INCH	DRAWN BY CCTEH	DATE 2005/01/10	TITLE SALES DRAWING DDR FB DIMM 1.00MM PITCH 240 CKTS VERT. PRESS-FIT				
			ANGULAR ± 5 °	APPROVED BY GGLEE	DATE 2005/08/30	MOLEX INCORPORATED					
			DRAFT WHERE APPLICABLE MUST REMAIN WITHIN DIMENSIONS	MATERIAL NO. SEE TABLE	DOCUMENT NO. SD-87977-020	SHEET NO. 2 OF 5					

9 8 7 6 5 4 3 2 1

RECOMMENDED MODULE LAYOUT
(VARIATION AB, AS PER JEDEC MO-256A)



KEY LOCATION	VOLTAGE	DIM 'D2'	DIM 'D1'
CENTER	1.8V	2.50	8.00



EC NO: S2006-0241	2005/09/01	QUALITY SYMBOLS
DRWN: CTEH	2005/09/01	▽=0
CHKD: SRRAMESH	2005/09/01	▽=0
APPR: GGLEE	2005/09/02	
REV	DESCRIPTION	
A		

GENERAL TOLERANCES (UNLESS SPECIFIED)	
	ANGULAR ± 5 °
4 PLACES	± ---
3 PLACES	± ---
2 PLACES	± 0.20
1 PLACE	± ---
DRAFT WHERE APPLICABLE MUST REMAIN WITHIN DIMENSIONS	

DIMENSION STYLE	
MM ONLY	
DRAWN BY	DATE
CTEH	2005/01/10
CHECKED BY	DATE
SRRAMESH	2005/08/30
APPROVED BY	DATE
GGLEE	2005/08/30
MATERIAL NO.	SEE TABLE
SIZE	A3

SCALE	NTS	DESIGN UNITS	METRIC	THIRD ANGLE PROJECTION
SALES DRAWING				
DDR FB DIMM 1.00MM PITCH				
240 CKTS VERT. PRESS-FIT				
MOLEX INCORPORATED				
DOCUMENT NO.	SD-87977-020	SHEET NO.	3 OF 5	
THIS DRAWING CONTAINS INFORMATION THAT IS PROPRIETARY TO MOLEX INCORPORATED AND SHOULD NOT BE USED WITHOUT WRITTEN PERMISSION				

10 9 8 7 6 5 4 3 2 1

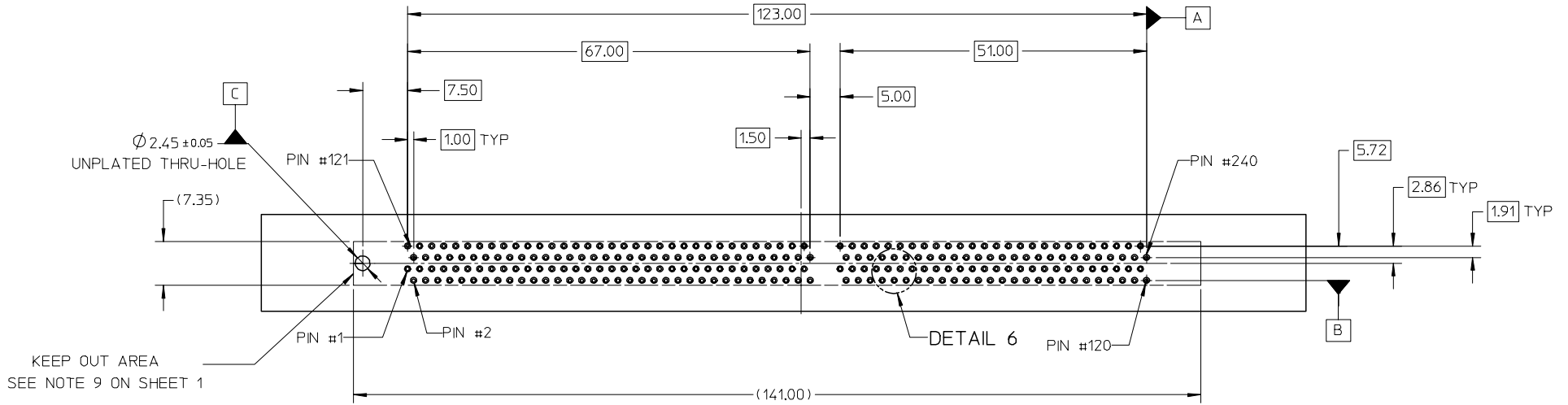
F

F

RECOMMENDED PCB HOLE PATTERN
SEE TABLE IN SHEET 5 FOR
RECOMMENDED PCB THICKNESS

E

E

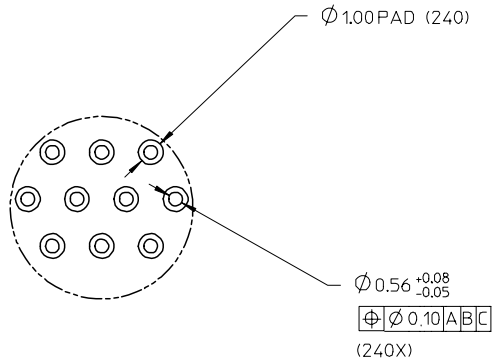


D

D

C

C



DETAIL 6

B

B

A

A

EC NO: S2006-0241 DRWN: CTEH 2005/09/01 CHKD: SRRAMESH 2005/09/01 APPR: GGLEE 2005/09/02	QUALITY SYMBOLS	GENERAL TOLERANCES (UNLESS SPECIFIED) <table border="1"> <thead> <tr> <th></th> <th>mm</th> <th>INCH</th> </tr> </thead> <tbody> <tr> <td>4 PLACES</td> <td>± ---</td> <td>± ---</td> </tr> <tr> <td>3 PLACES</td> <td>± ---</td> <td>± ---</td> </tr> <tr> <td>2 PLACES</td> <td>± 0.20</td> <td>± ---</td> </tr> <tr> <td>1 PLACE</td> <td>± ---</td> <td>± ---</td> </tr> <tr> <td colspan="3">ANGULAR ± 5 °</td> </tr> </tbody> </table>		mm	INCH	4 PLACES	± ---	± ---	3 PLACES	± ---	± ---	2 PLACES	± 0.20	± ---	1 PLACE	± ---	± ---	ANGULAR ± 5 °			DIMENSION STYLE	SCALE	DESIGN UNITS	THIRD ANGLE PROJECTION
			mm	INCH																				
	4 PLACES		± ---	± ---																				
	3 PLACES		± ---	± ---																				
2 PLACES	± 0.20	± ---																						
1 PLACE	± ---	± ---																						
ANGULAR ± 5 °																								
DESCRIPTION	MM ONLY	NTS	METRIC	DRAWN BY: CTEH DATE: 2005/01/10 CHECKED BY: SRRAMESH DATE: 2005/08/30 APPROVED BY: GGLEE DATE: 2005/08/30 MATERIAL NO. MOLEX INCORPORATED DOCUMENT NO. SD-87977-020																				
REV	▽=0 ▽=0	DRAFT WHERE APPLICABLE MUST REMAIN WITHIN DIMENSIONS	SEE TABLE	SALES DRAWING DDR FB DIMM 1.00MM PITCH 240 CKTS VERT. PRESS-FIT MOLEX INCORPORATED																				
A	SIZE A3	THIS DRAWING CONTAINS INFORMATION THAT IS PROPRIETARY TO MOLEX INCORPORATED AND SHOULD NOT BE USED WITHOUT WRITTEN PERMISSION		SHEET NO. 4 OF 5																				

9 8 7 6 5 4 3 2 1

10 9 8 7 6 5 4 3 2 1

PART NO.	KEY POS.	DIM 'T'	RECOMEMDED PCB THICKNESS	PLATING OPTION	LATCH COLOR
87977-0021	CENTER (1.8V)	3.15	3.30	0.38µM / 15 µIN MIN. GOLD ON CONTACT, 1.52µM/ 60µIN MIN. PURE TIN ON SOLDERTAILS, 1.27µM/ 50µIN MIN. NICKEL UNDERPLATE	NATURAL
87977-0051				0.76µM / 30 µIN MIN. GOLD ON CONTACT, 1.52µM/ 60µIN MIN. PURE TIN ON SOLDERTAILS, 1.27µM/ 50µIN MIN. NICKEL UNDERPLATE	
87977-9001				0.38µM / 15 µIN MIN. GOLD ON CONTACT, 1.52µM/ 60µIN MIN. TIN ON SOLDERTAILS, 1.27µM/ 50µIN MIN. NICKEL UNDERPLATE	BLACK

EC NO: S2006-0241 2005/09/01 DRWN:CTEH CHKD:SRAMESH 2005/09/01 APPR:GGLLEE 2005/09/02	QUALITY SYMBOLS =0 =0	GENERAL TOLERANCES (UNLESS SPECIFIED)		DIMENSION STYLE MM ONLY		SCALE NTS	DESIGN UNITS METRIC	THIRD ANGLE PROJECTION		
			mm	INCH	DRAWN BY CTEH	DATE 2005/01/10	TITLE SALES DRAWING DDR FB DIMM 1.00MM PITCH 240 CKTS VERT. PRESS-FIT			
		4 PLACES	± ---	± ---	CHECKED BY SRAMESH	DATE 2005/08/30				
		3 PLACES	± ---	± ---	APPROVED BY GGLLEE	DATE 2005/08/30	MOLEX INCORPORATED DOCUMENT NO. SD-87977-020			
2 PLACES	± 0.20	± ---	MATERIAL NO.		SHEET NO. 5 OF 5					
1 PLACE	± ---	± ---	DRAFT WHERE APPLICABLE MUST REMAIN WITHIN DIMENSIONS						SEE TABLE THIS DRAWING CONTAINS INFORMATION THAT IS PROPRIETARY TO MOLEX INCORPORATED AND SHOULD NOT BE USED WITHOUT WRITTEN PERMISSION	
ANGULAR ± 5 °										

9 8 7 6 5 4 3 2 1