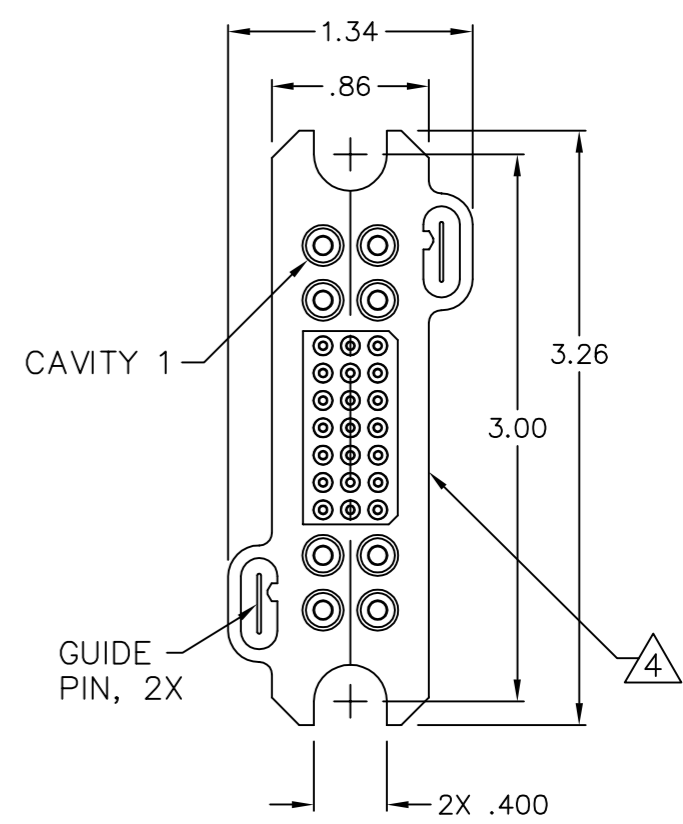
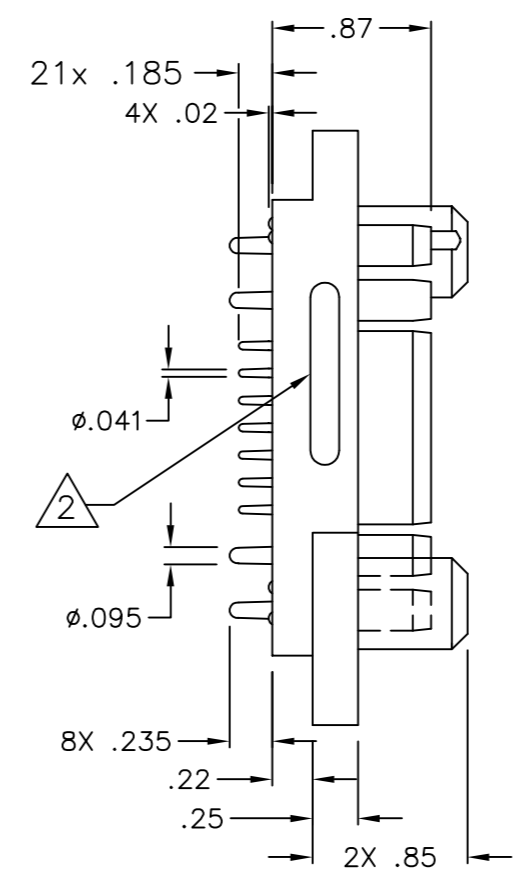
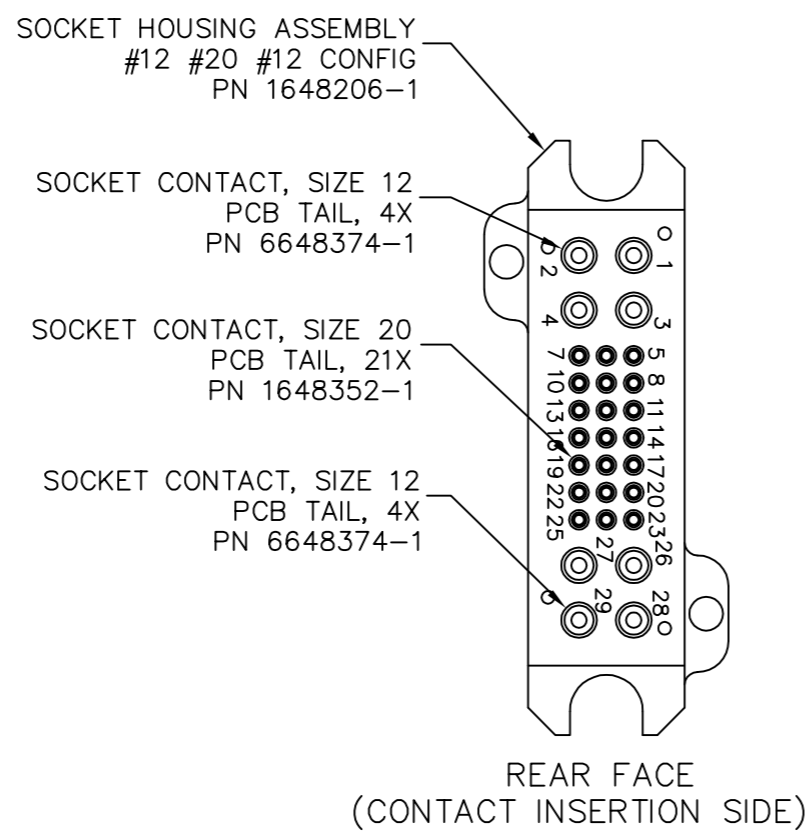
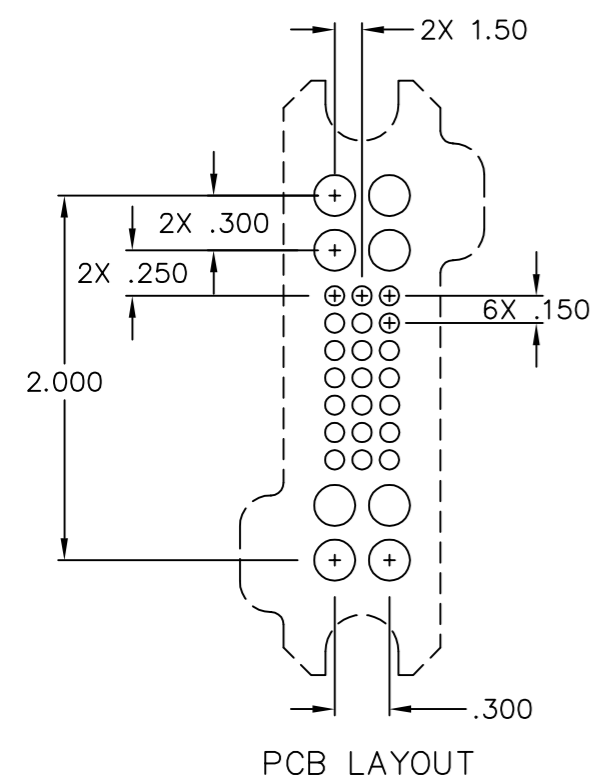


This drawing involves proprietary design rights of Tyco Electronics Corporation, and all design, manufacture, reproduction, use and sale rights regarding the same are expressly reserved. It is submitted for a specific purpose and the recipient by accepting this drawing, assumes custody and control and agrees to take reasonable precautions; (a) that this drawing will not be copied and reproduced, in whole or in part, or its contents revealed in any manner, or to any person except to meet the purpose for which it was delivered and (b) that any special features peculiar to this design will not be incorporated in other projects without the expressed written permission of Tyco Electronics Corporation.

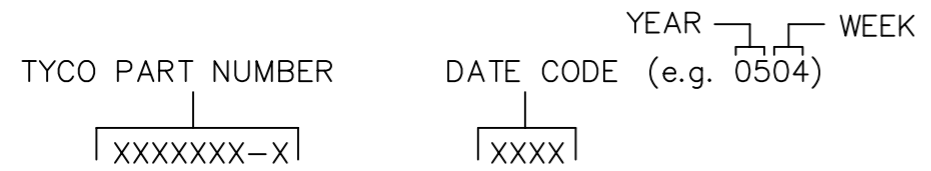
REVISIONS			
EC	REV	DESCRIPTION	DATE
OS1Q-0180-05	A	NEW RELEASE	06/14/05

B



B

- 5. DIRECTIVE 2002/95/EC RoHS COMPLIANT.
- △ 4 FINISH:
SOCKET HOUSING: MOLDED, COLOR - BLACK.
- 3. MATERIAL:
SOCKET HOUSING: GLASS FILLED THERMOPLASTIC,
HARD DIELECTRIC, U.L. RATED, 94V-0.
RETENTION CLIPS: BERYLLIUM COPPER PER CDA 17200.
- △ 2 ITEMS PROVIDED TO THIS SPECIFICATION TO BE PERMANENTLY IDENTIFIED PER THE FOLLOWING IDENTIFIER:



1. PART NUMBER CHANGES AND/OR DESIGN CHANGES AFFECTING ITEM INTERCHANGEABILITY REQUIRE PRIOR TYCO APPROVAL AND AUTHORIZATION BY REVISION TO THIS DRAWING.

NOTES: UNLESS OTHERWISE SPECIFIED;

INCH OR INCH (MM) THIRD ANGLE PROJECTION UNLESS OTHERWISE SPECIFIED DIMENSIONS ARE IN INCHES (METRIC) TOLERANCES ANGLES ± .5° DECIMALS .XXX ± .010 (.25) .XX ± .02 (.3)	DRAWN M. ALIM CHECKED	DATE 06/14/05	 Tyco Electronics Corporation Menlo Park, Ca 94025 	TITLE CONNECTOR, SOCKET LOWER DRAWER PN 6643489-1	
	APPROVED D. CHAU DCA APPROVED M. ALIM	DATE 06/14/05 06/14/05			SIZE B
	ACAD FILE NUMBER C6643489A.DWG		DWG SCALE 1=1		SH 1 OF 1

A

A