

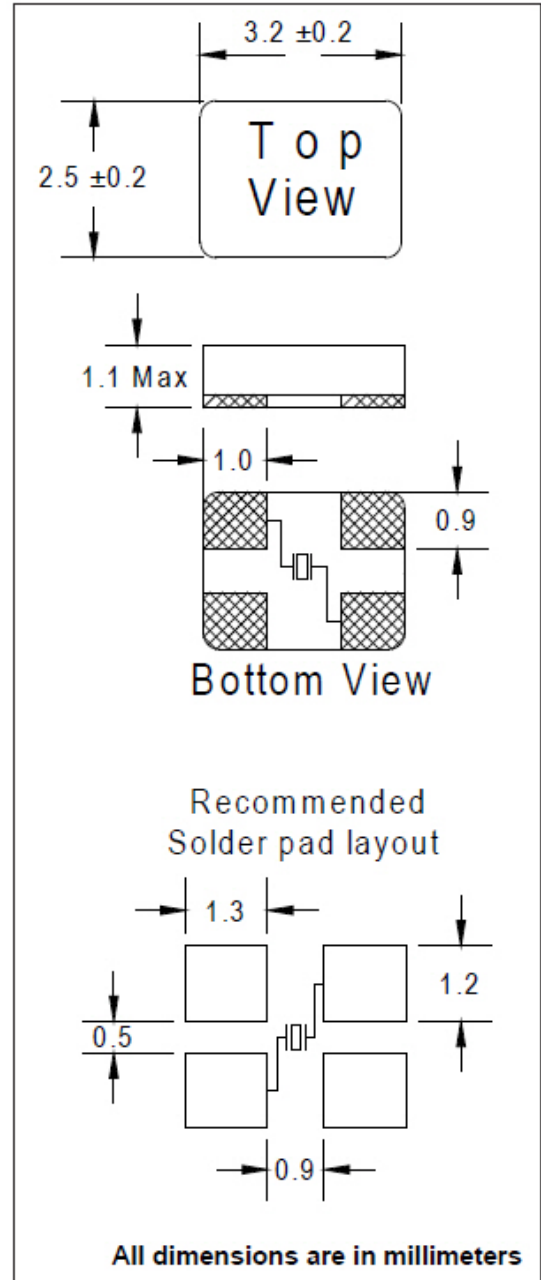


3.2mm x 2.5mm SMD Crystal

C3BQ (former FQ3225B) DATASHEET

- Tolerances down to 20 PPM
- Stabilities down to 20 PPM

• STANDARD SPECIFICATIONS	
PARAMETERS	MAX (unless otherwise noted)
Frequency Range (Fo)	12.000 ~ 50.000 MHz
Frequency Tolerance @ 25°C	(See options on page 2)
Frequency Stability, ref @ 25°C Over Operating Temp Range	(See options below)
Temperature Range	
Operating (TOPR)	(See options on page 2)
Storage (TSTG)	-55°C ~ +125°C
Shunt Capacitance (Co)	3 pF
Load Capacitance (CL)	(See options on page 2)
Drive Level	0.1 mW
Aging per year	±5 PPM
Maximum Soldering Temp / Time	260°C / 10 Seconds
Moisture Sensitivity Level (MSL)	1
Termination Finish	Au
Seam Method	Resin Sealed
Lead (Pb) Free	YES
RoHS / REACH Compliant	YES



Frequency Range (MHz)	Operating Mode	Max ESR Ω
12.000 ~ 15.999999	Fundamental	120
16.000 ~ 20.000	Fundamental	100
20.000001 ~ 25.000	Fundamental	80
25.000001 ~ 30.000	Fundamental	60
30.000001 ~ 50.000	Fundamental	50

• Available Operating Temperatures and Stabilities*

Stability Temperature	±20 PPM	±25 PPM	±30 PPM	±50 PPM
-10 ~ +70°C	O	O	O	O
-20 ~ +70°C	O	O	O	O
-40 ~ +85°C	Δ	O	O	O

Key: O=Available, X=Not Available, Δ=Consult Fox Technical Support
 *Does not imply a stocked part.

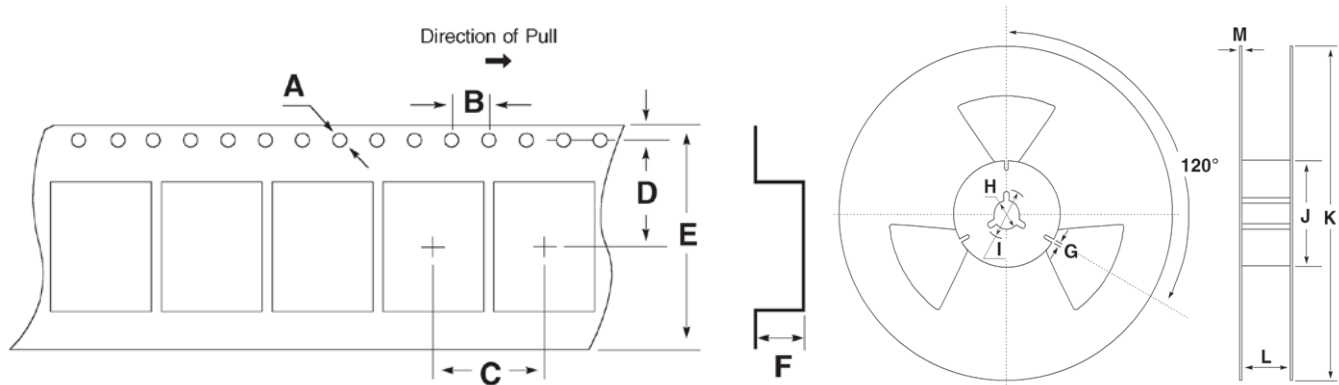
	Title / Description: C3BQ STANDARD SPECIFICATIONS		
	Drawing Number: 100658	Size: A	
	Part Number:	Cage: 61429	
	Draftsperson: CMR	Approved: RB	Revision Date: 5/25/2017



3.2mm x 2.5mm SMD Crystal

C3BQ (former FQ3225B) DATASHEET

• TAPE SPECIFICATIONS (millimeters)							• REEL SPECIFICATIONS (millimeters)						
A	B	C	D	E	F	STD Reel QTY	G	H	I	J	K	L	M
Ø1.5	4.0	4.0	3.5	8.0	1.25	3,000	2.0	Ø13	Ø21	Ø62	Ø178	9.0	1.2



Available Options & Part Identification for SMD Crystal C3BQ* **F C3BQ B B M E 25.0**

F	C3BQ	B	B	M	E	25.0
FOX	Model Number	Tolerance B=50ppm C=30ppm D=25ppm E=20ppm	Stability B=50ppm C=30ppm D=25ppm E=20ppm	Load Capacitance V=7pF D=8pF E=10pF G=12pF K=16pF L=18pF M=20pF N=22pF	Operating Temperature E=-10 to +70C F=-20 to +70C M=-40 to +85C	Frequency (MHz)

*Not all frequency, tolerance, stability, load, and operating temperature combinations may be available.

<p>© Copyright 2017 Fox Electronics, All rights reserved</p>	Title / Description: C3BQ STANDARD SPECIFICATIONS		
	Drawing Number: 100658		Size: A
	Part Number:		Cage: 61429
	Draftsperson: CMR	Approved: RB	Revision Date: 5/25/2017



3.2mm x 2.5mm SMD Crystal

C3BQ (former FQ3225B) DATASHEET

• C3BQ (former FQ3225B) Standard Crystals					
Part Number	Frequency	Tolerance	Stability	Temp Range	CL
FQ3225B-12.000	12.000000	+/- 50 ppm	+/- 50 ppm	-10 to +70 C	20pF
FQ3225B-16.000	16.000000	+/- 50 ppm	+/- 50 ppm	-10 to +70 C	20pF
FQ3225B-20.000	20.000000	+/- 50 ppm	+/- 50 ppm	-10 to +70 C	20pF
FQ3225B-24.000	24.000000	+/- 50 ppm	+/- 50 ppm	-10 to +70 C	20pF
FQ3225B-25.000	25.000000	+/- 50 ppm	+/- 50 ppm	-10 to +70 C	20pF
FQ3225BR-12.000	12.000000	+/- 50 ppm	+/- 50 ppm	-40 to +85 C	20pF
FQ3225BR-16.000	16.000000	+/- 50 ppm	+/- 50 ppm	-40 to +85 C	20pF
FQ3225BR-20.000	20.000000	+/- 50 ppm	+/- 50 ppm	-40 to +85 C	20pF
FQ3225BR-24.000	24.000000	+/- 50 ppm	+/- 50 ppm	-40 to +85 C	20pF
FQ3225BR-25.000	25.000000	+/- 50 ppm	+/- 50 ppm	-40 to +85 C	20pF



Corporate
Headquarters
5570 Enterprise Parkway
Fort Myers, FL 33905
<http://www.FOXONLINE.com>

Sales
1-888-GET-2-FOX (1-888-438-2369) or
1-239-693-0099
<http://www.FOXONLINE.com/repdisty>

Tech Support
<http://www.FOXONLINE.com/email>

PRODUCT USE: Fox Electronics reserves the right to modify the products and/or specifications described herein at any time and at Fox Electronics' sole discretion. All information in this document, including descriptions of product features and performance, is subject to change without notice. Performance specifications and the operating parameters of the described products are determined in the independent state and are not guaranteed to perform the same way when installed in customer products. The information contained herein is provided without representation or warranty of any kind, whether express or implied, including, but not limited to, the suitability of Fox Electronics' products for any particular purpose, an implied warranty of merchantability, or non-infringement of the intellectual property rights of others. This document is presented only as a guide and does not convey any license under intellectual property rights of Fox Electronics or any third parties. Fox Electronics' products are not intended for use in applications involving extreme environmental conditions or in life support systems or similar devices where the failure or malfunction of a Fox Electronics product can be reasonably expected to significantly affect the health or safety of users. Anyone using a Fox Electronics product in such a manner does so at their own risk, absent an express, written agreement by Fox Electronics. Fox Electronics and the Fox logo are registered trademarks of Fox Electronics. Product specification is subject to change without notice. Other trademarks and service marks used herein, including protected names, logos and designs, are the property of Fox Electronics or their respective third party owners. For datasheet type definitions and a glossary of common terms, visit <http://www.foxonline.com/tgcrystals.html>.

	Title / Description: C3BQ STANDARD SPECIFICATIONS		
	Drawing Number: 100658		Size: A
	Part Number:		Cage: 61429
	Draftsperson: CMR	Approved: RB	Revision Date: 5/25/2017