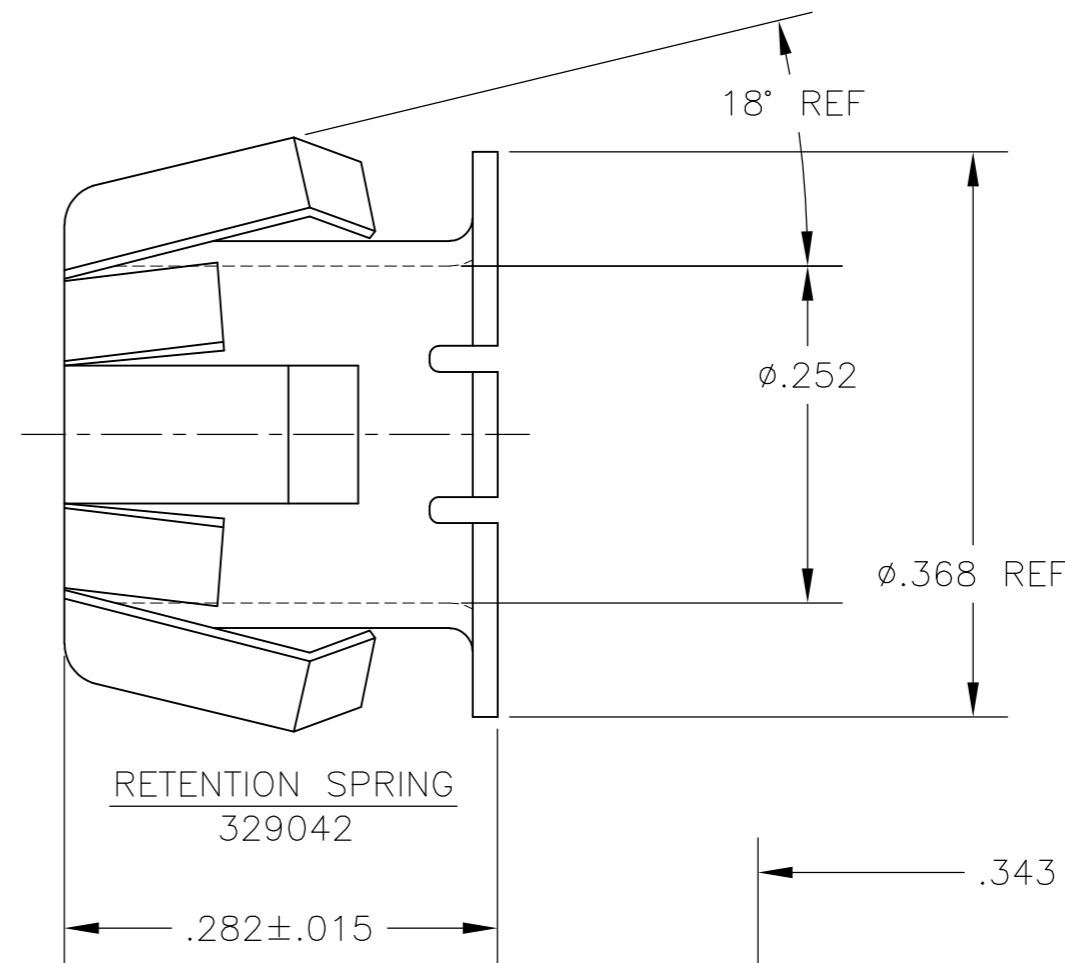
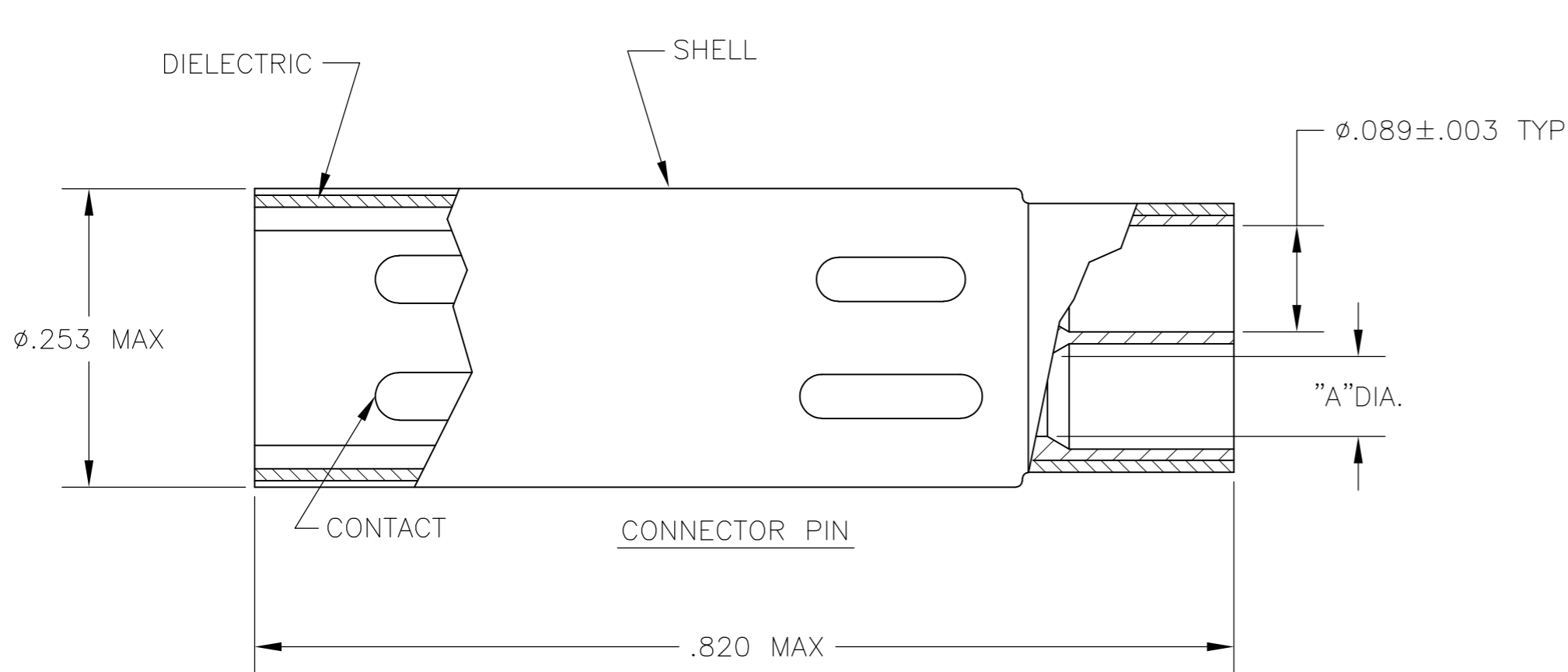
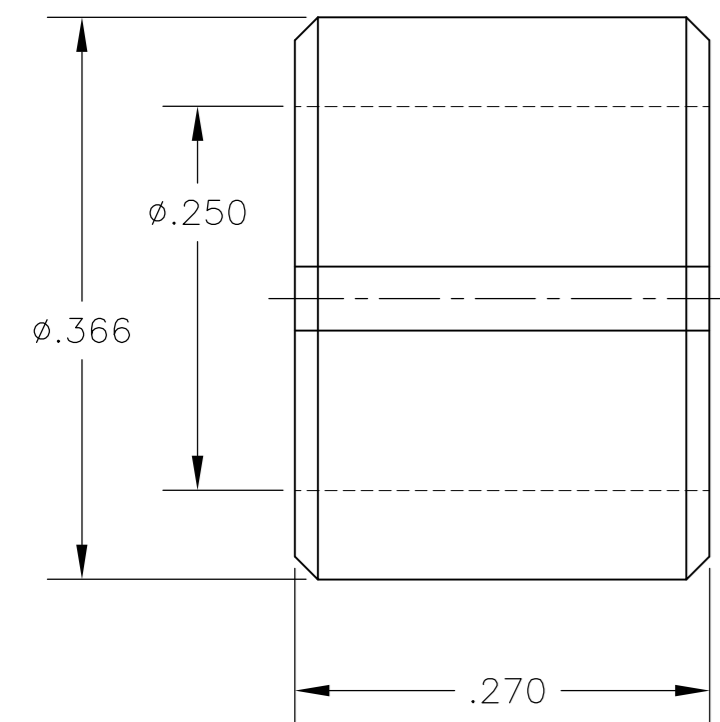
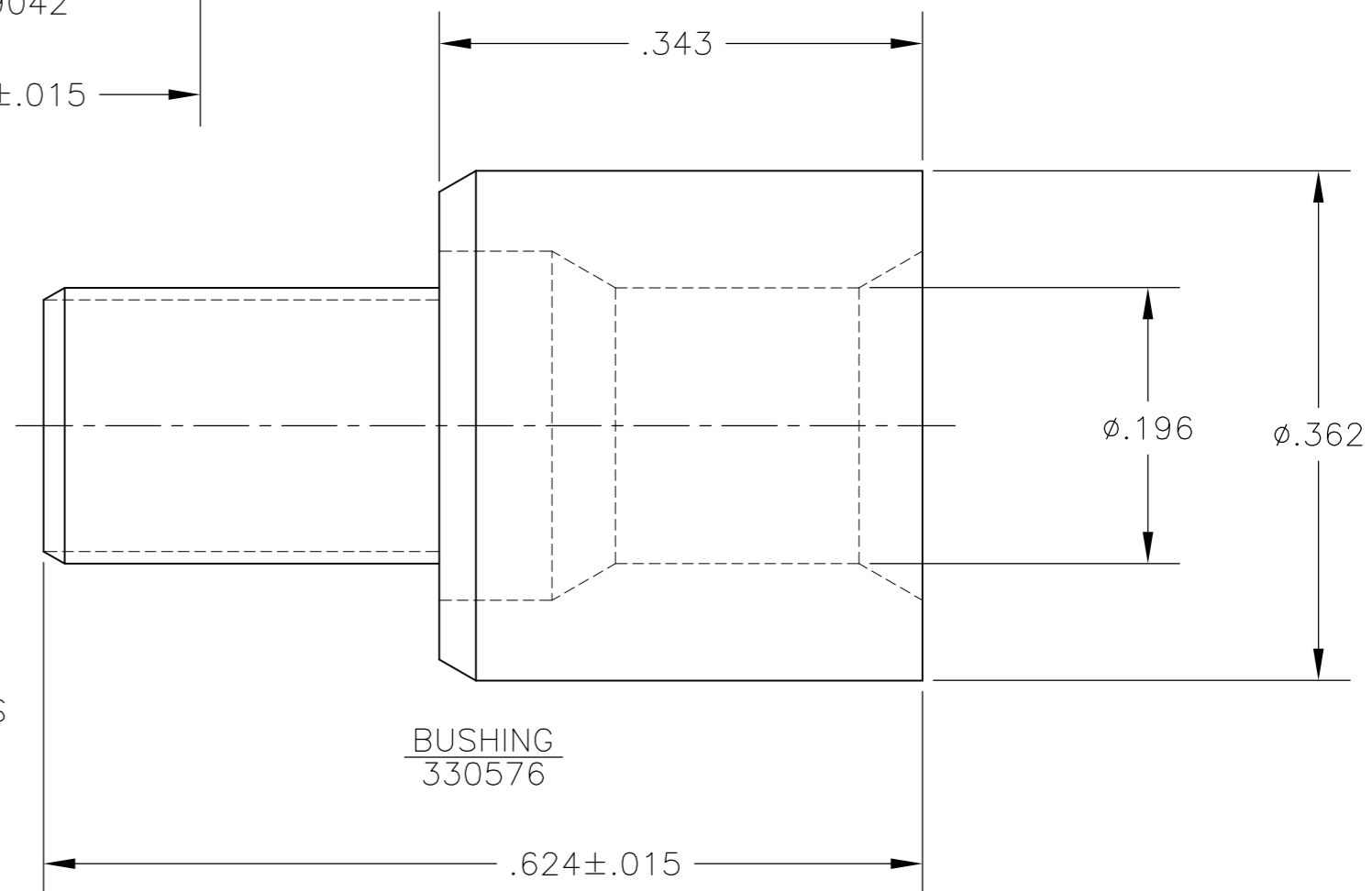
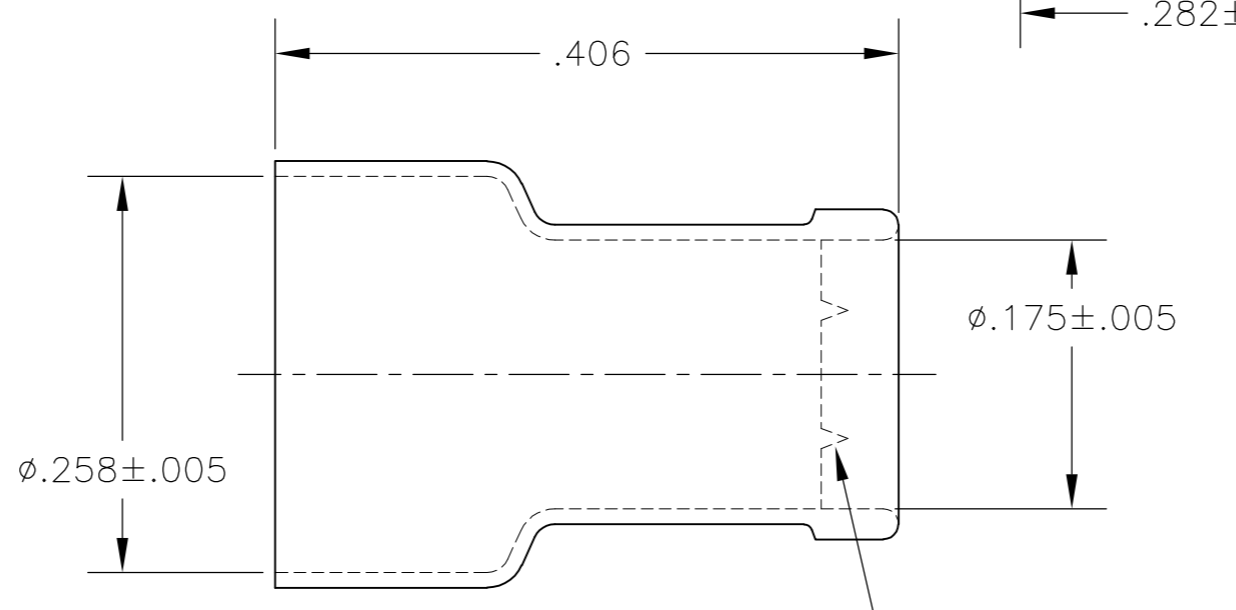
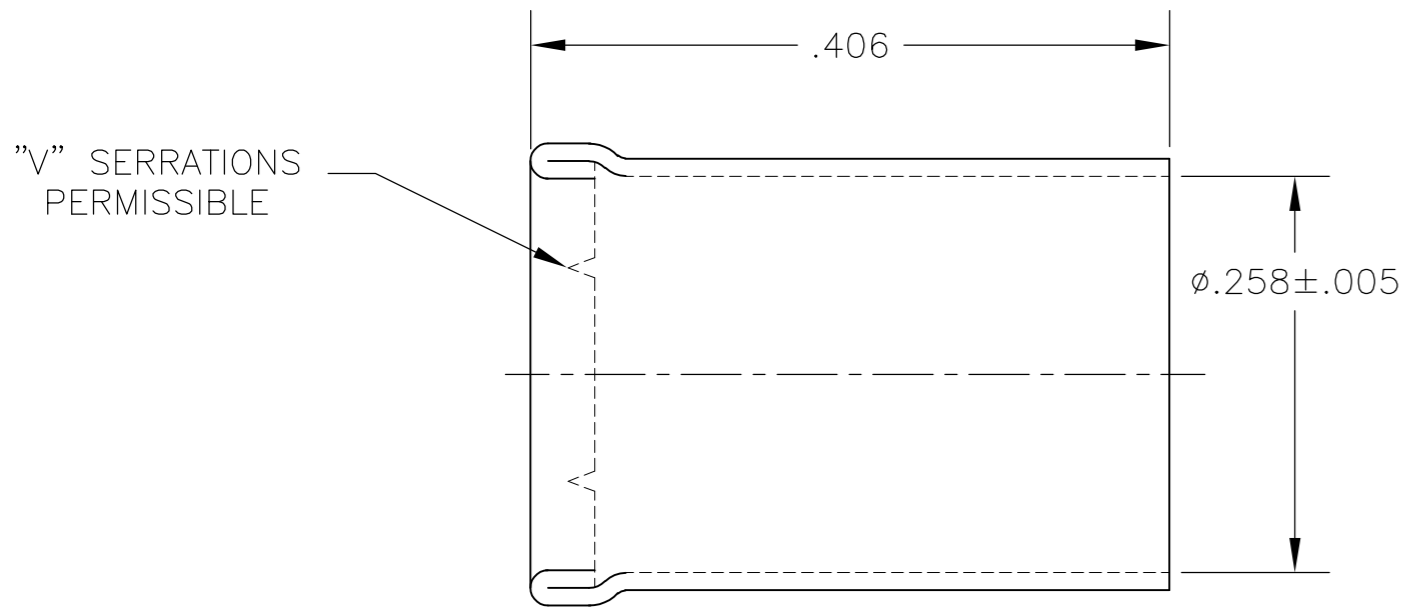


THIS DRAWING IS UNPUBLISHED. RELEASED FOR PUBLICATION
 © COPYRIGHT 2005 BY TYCO ELECTRONICS CORPORATION. ALL RIGHTS RESERVED.

Loc	DIST	REVISIONS					
AJ	16	P	LTR	DESCRIPTION	DATE	DWN	APVD
		N1		REVISION PER ECO-09-023702	24NOV2009	KF	KW



1. DIELECTRIC MAT'L OT 329009 IS POLYPROPYLENE 21914-1, HERCULES PRO-FAX 6523 N, NATURAL.



DIELECTRIC COLOR	"A"	WIRE SIZE	CONNECTOR PIN	WEIGHT	TABLE II				
					YELLOW	.040 .045	22-20	2-329009-1	.040 OZ
NATURAL	.030 .035	26-22	329009	.039 OZ					

QTY	DESCRIPTION	PART NO.	MATERIAL & FINISH
1	BUSHING	329058	POLYETHYLENE: (MIL-P-22748) TYPE I COLOR: NATURAL
1	FERRULE	329041	COPPER (QQ-C-576) SILVER PL (QQ-S-365) .0002 MIN THK
1	FERRULE	329056	COPPER (QQ-C-576) SILVER PL (QQ-S-365) .0002 MIN THK
1	BUSHING	330576	POLYETHYLENE COLOR: YELLOW
1	RETENTION SPRING	329042	BERYLLIUM COPPER (QQ-C-533) TIN PL (MIL-T-10727)
1	CONNECTOR PIN	2-329009-1	DIELECTRIC: POLYPROPYLENE (MIL-T-3803) COLOR: TABLE II SHELL: BRASS (MIL-C-50) GOLD PL (MIL-G-45204) TYPE II .00003 MIN THK OVER NICKEL PL (QQ-N-290) .00003 MIN THK.
1	CONNECTOR PIN	329009	CONTACT: BRONZE (ASTM-B140) GOLD PL (MIL-G-5204) TYPE II .00003 MIN THK OVER NICKEL PL (QQ-N-290) .00003 MIN THK.

2-329009-6	2-329009-5	2-329009-3	2-329009-1	329009	THIS DRAWING IS A CONTROLLED DOCUMENT.	DWN C. LAUBACH 04OCT2005	Tyco Electronics Corporation Harrisburg, Pa 17105-3608
DIMENSIONS: INCHES					TOLERANCES UNLESS OTHERWISE SPECIFIED:	CHK G. MICHAEL 10-13-05	Tyco Electronics COAXICON CONNECTOR TWIN COAXIAL PLUG ASSEMBLY
					0 PLC ± - 1 PLC ± - 2 PLC ± - 3 PLC ± .008 4 PLC ± - ANGLES ± 5°	APVD G. MICHAEL 10-13-05	
MATERIAL: SEE TABLE 1					FINISH: -	PRODUCT SPEC: -	RESTRICTED TO: -
CUSTOMER DRAWING					SCALE: 4:1	WEIGHT: -	SIZE: A2
					SCALE: 4:1	CAGE CODE: 00779	DRAWING NO: C-329009
					SCALE: 4:1	SHEET: 1 OF 1	REV: N1