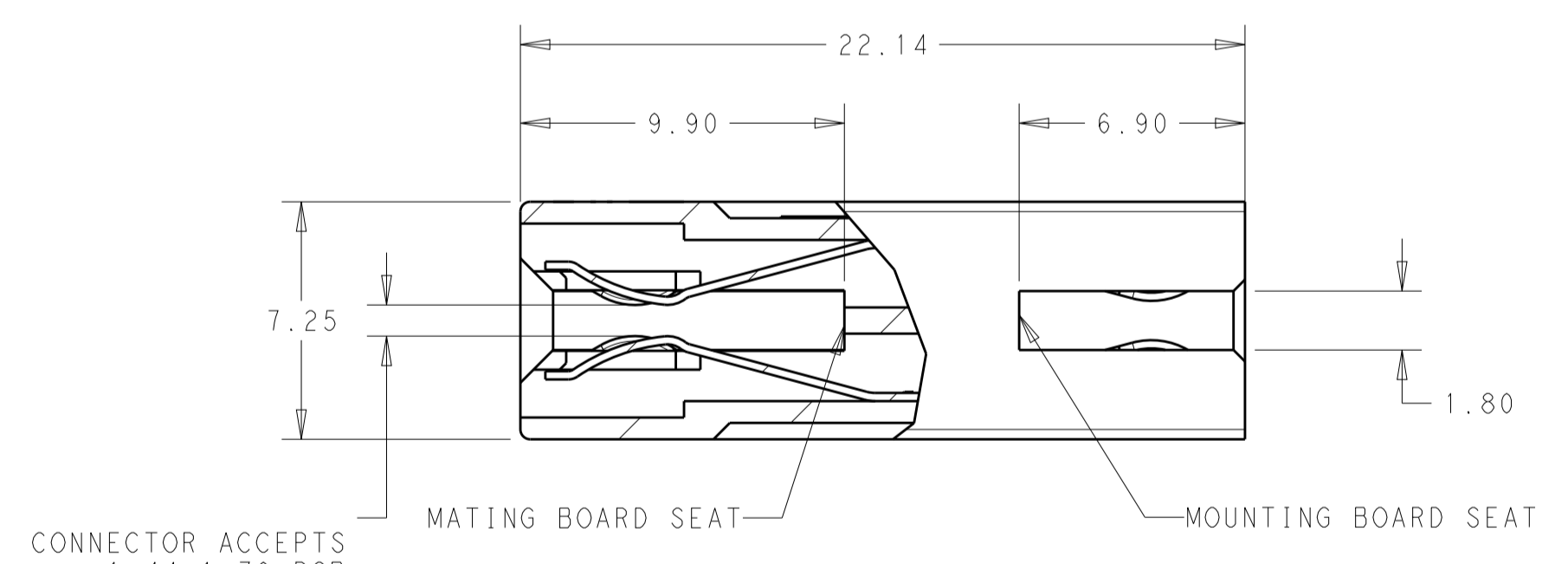
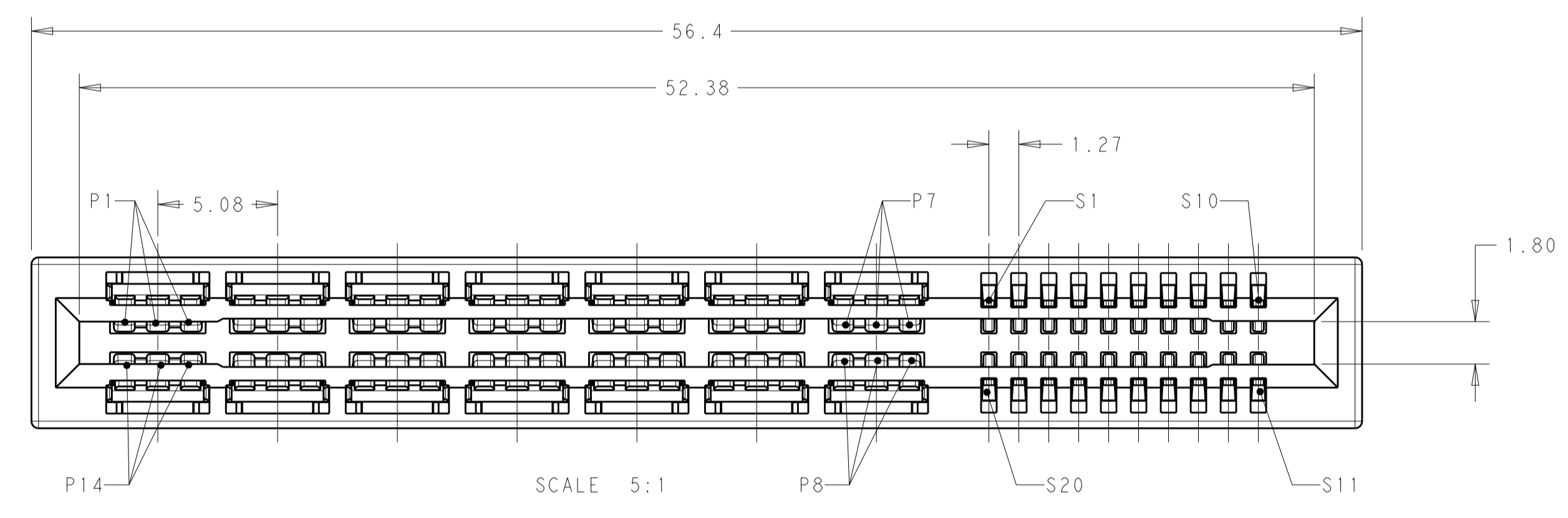
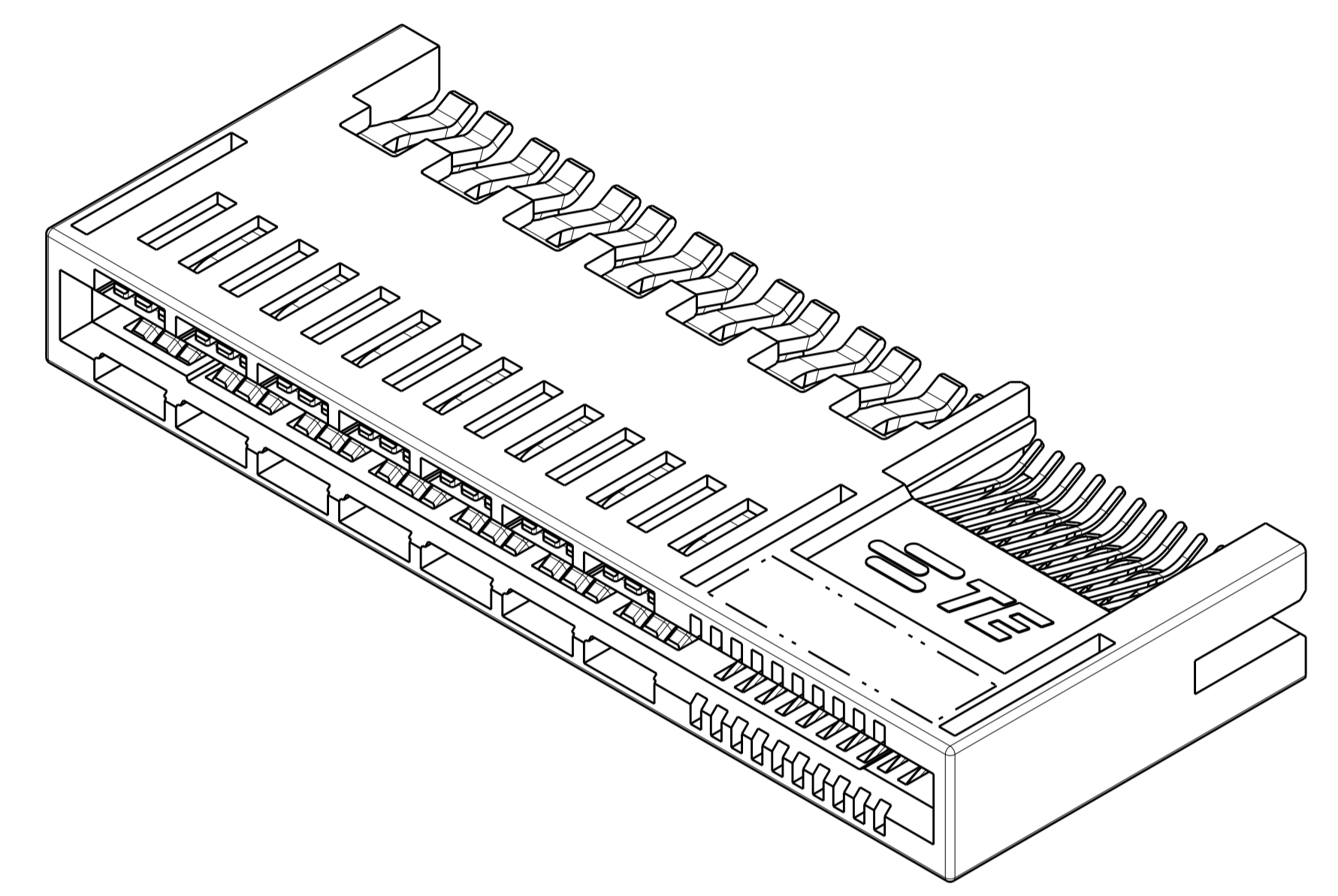
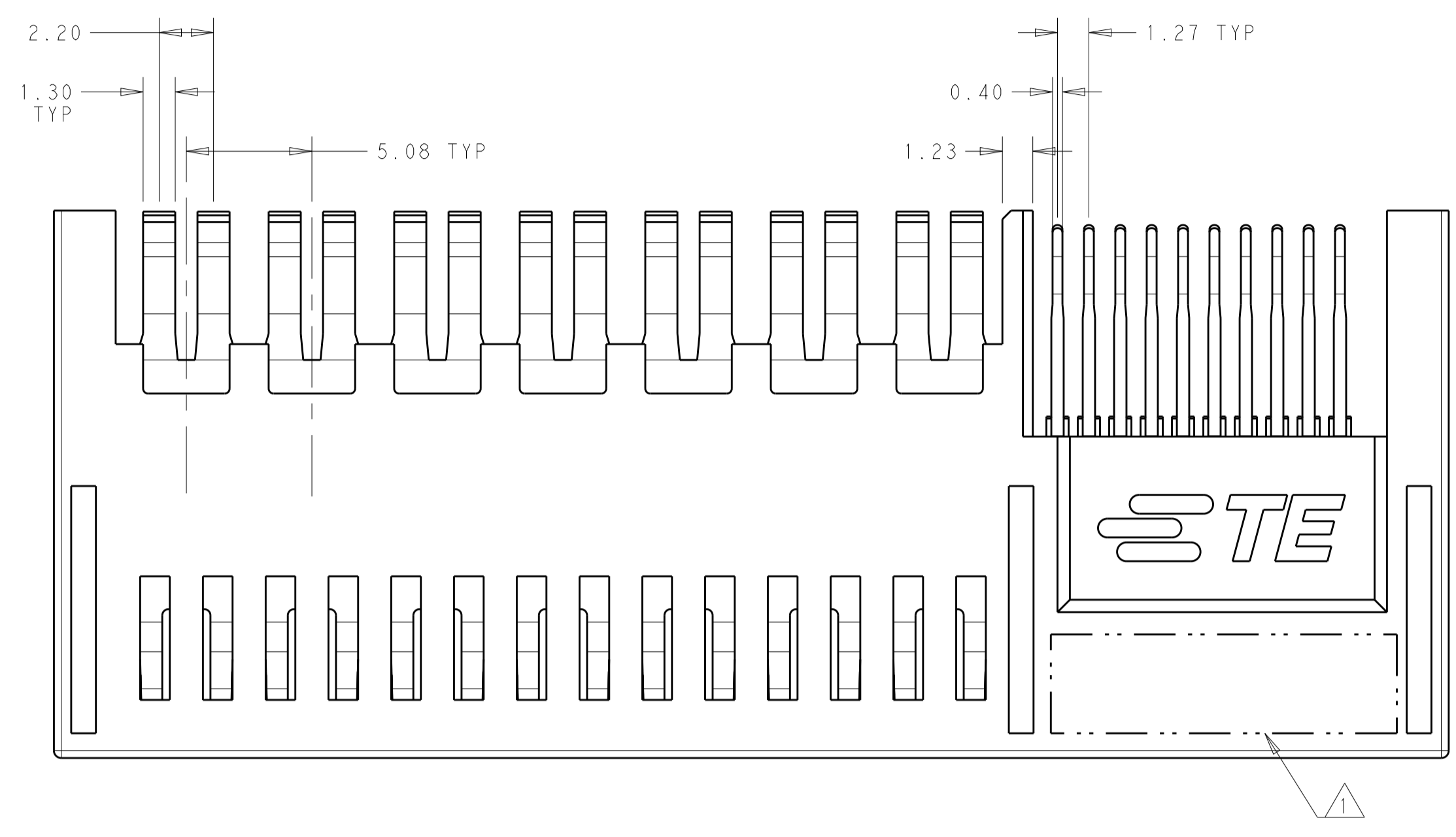


REVISIONS				
P	LTN	DESCRIPTION	DATE	APVD
A		FIRST RELEASE	12NOV2017	SZ SZ

- ① PART NUMBER, AND DATE CODE TO BE MARKED IN AREA SHOWN
- ② MATERIAL: HOUSING - GLASS FILLED HIGH TEMP THERMO PLASTIC
 SIGNAL CONTACT - COPPER ALLOY
 POWER CONTACT - HIGH CONDUCTIVITY COPPER ALLOY
- ③ CONTACT PLATING: NOBLE METAL PLATING ON CONTACT FUNCTIONAL AREA OF POWER AND SIGNAL CONTACTS
- ④ DATUM AND BASIC DIMENSIONS ESTABLISHED BY CUSTOMER



CONNECTOR ACCEPTS
 1.44-1.70 PCB

SECTION S-S

PART NUMBER 2204798-1

THIS DRAWING IS A CONTROLLED DOCUMENT.		DWN: SEAN_ZHANG 30OCT2016	TE Connectivity	
DIMENSIONS: mm		CHK: SUNYI_ZHAO 24JAN2017	NAME: HIGH CURRENT SUPER CARD EDGE	
TOLERANCES UNLESS OTHERWISE SPECIFIED:		APVD: SUNYI_ZHAO 24JAN2017	PRODUCT SPEC: 108-128053	
0 PLC ±		APPLICATION SPEC: 114-128056	SIZE: A1	
1 PLC ±0.5		WEIGHT: -	CAGE CODE: -	
2 PLC ±0.25		CUSTOMER DRAWING	SCALE: 2:1	
3 PLC ±			SHEET 1 OF 2	
4 PLC ±			REV A	
ANGLES ±				
FINISH				

