

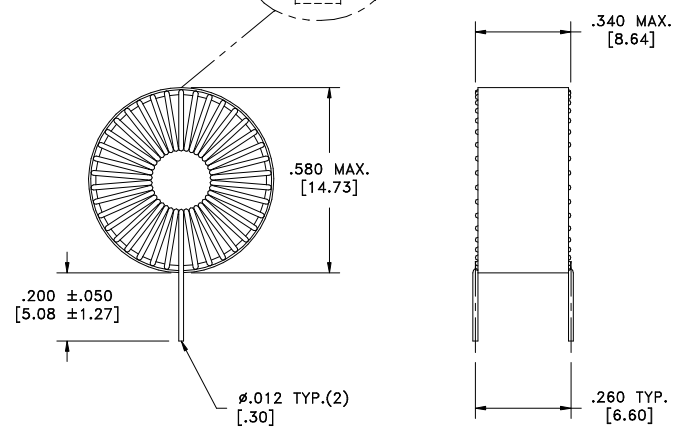
CUSTOMER TERMINAL	RoHS	LEAD(Pb)-FREE
Sn96%, Ag4%	Yes	Yes

more than you expect



WE-MIDCOM
750311826

LOT CODE & DATE CODE



ELECTRICAL SPECIFICATIONS @ 25°C unless otherwise noted:

PARAMETER	TEST CONDITIONS	TEST CONDITIONS	VALUE
D.C. RESISTANCE	S-F	@20°C	1.5 ohms max.
INDUCTANCE	S-F	100kHz, 100mVAC, Ls	1.6mH ±20%

GENERAL SPECIFICATIONS:
CURRENT RATING: 150mADC.

PRELIMINARY

DETAILS SUBJECT TO CHANGE

REV.	DATE	Packaging Specifications Method: Tray PKG-0759 www.midcom-inc.com		Tolerances unless otherwise specified: Angles: ±1° Decimals: ±.005 [.13] Fractions: ±1/64 Footprint: ±.001 [.03]	DRAWING TITLE INDUCTOR	PART NO. 750311826
00	7/10	REVISIONS: SEE SHEET 1		This drawing is dual dimensioned. Dimensions in brackets are in millimeters.	eiSos p/n: 750311826	SHEET 2 OF 4