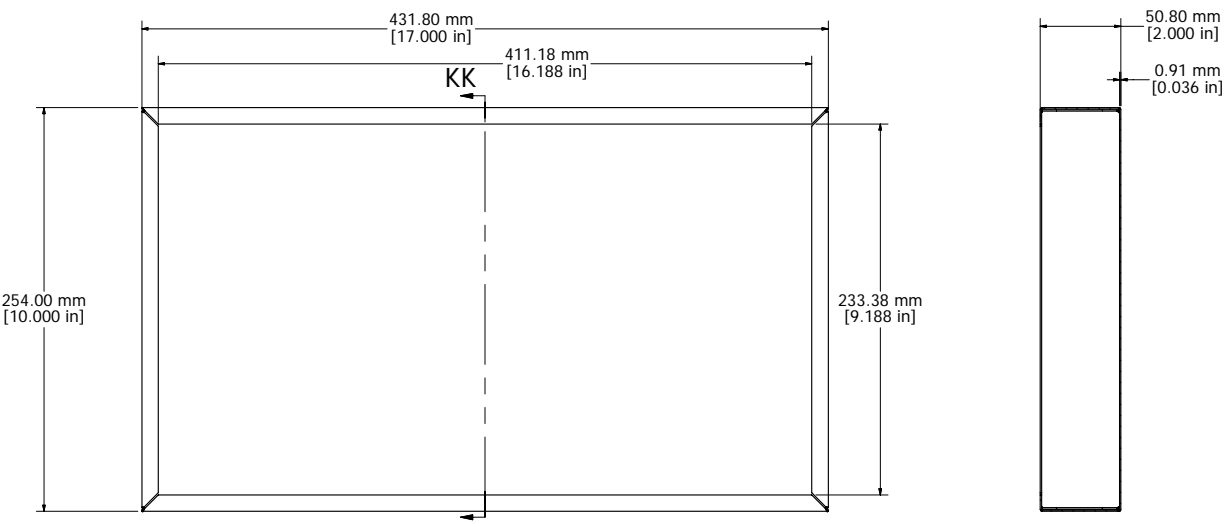
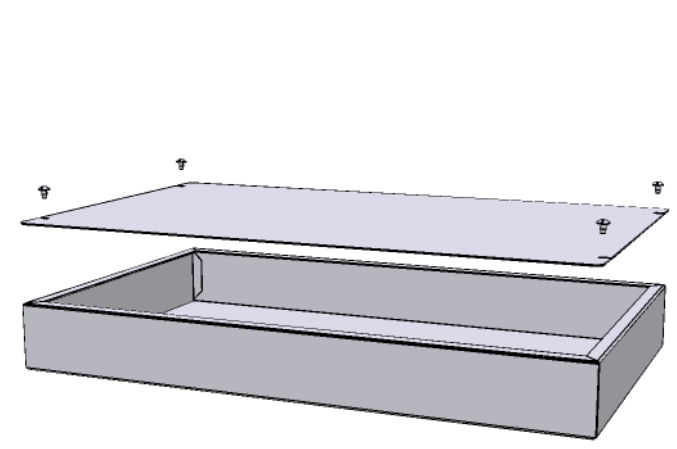
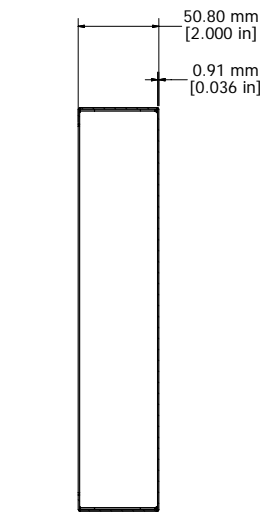


1431-30 OR 1431-30BK3 - VIEW FROM TOP (SOLD SEPERATELY)



1441-30 OR 1441-30BK3 - VIEW FROM TOP (SOLD SEPERATELY)



SECTION KK-KK

- CHASIS - 0.036" 20 GAUGE STEEL - ASA 61 GREY - 1441-30
- COVER - 0.036" 20 GAUGE STEEL - ASA 61 GREY - 1431-30
- CHASIS - 0.036" 20 GAUGE STEEL - BLACK - 1441-30BK3
- COVER - 0.036" 20 GAUGE STEEL - BLACK - 1431-30BK3
- SCREWS (6-32 x 1/4 SHEET METAL SCREWS) (SOLD SEPERATELY) - 1421J6

Contact Factory [mjm@hammondmfg.com](mailto:mjm@hammondmfg.com) for quotes  
 Enclosures can be Factory Modified ( Milling, Drilling, Printing etc. )  
 Solid models of this enclosure available in STEP or IGES.



**HAMMOND  
MANUFACTURING™**

**1441-30**  
www.hammondmfg.com