

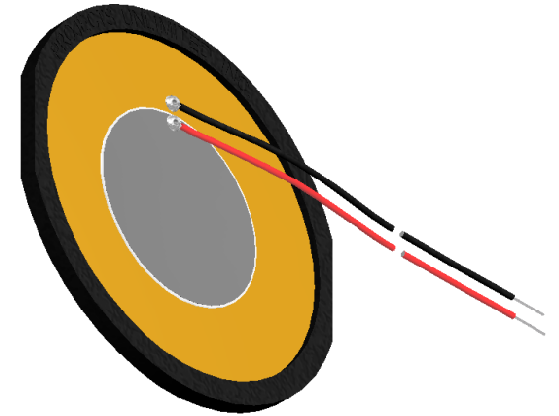
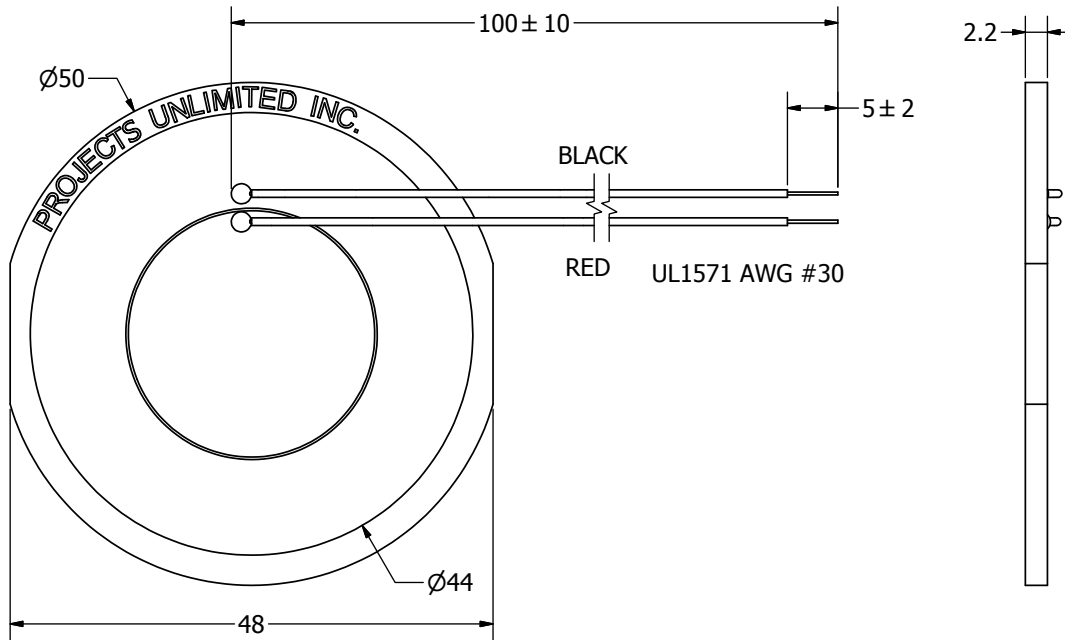
# SPECIFICATIONS

PARAMETERS	VALUES	UNIT
OPERATING VOLTAGE (MAX)	30	Vp-p
CAPACITANCE @ 1kHz	65,000 ± 30%	pF
RESONANT FREQUENCY	1,200 ± 200	Hz
RESONANT IMPEDANCE(MAX)@1Khz	3,500 ± 10%	Ohm
OPERATING TEMPERATURE	-20 ~ +70	°C
STORAGE TEMPERATURE	-20 ~ +70	°C
PLATE MATERIAL	BRASS	-
HOUSING MATERIAL	ABS	-
TERMINAL MATERIAL	LEAD WIRE	-
WEIGHT	3	grams

THIS DOCUMENT CONTAINS DATA PROPRIETARY TO PROJECTS UNLIMITED, INC. ANY USE OR REPRODUCTION, IN ANY FORM, WITHOUT PRIOR WRITTEN PERMISSION OF PROJECTS UNLIMITED, INC. IS PROHIBITED.  
©2003, Projects Unlimited Inc.

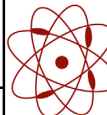
# REVISION HISTORY

LTR	DESCRIPTION	DATE	APPROVED
-	RELEASED FROM ENGINEERING	9/12/2006	
A	REVISED TO INVENTOR 3-D DRAWING TEMPLATE	8/20/2007	B.R.



### NOTES:

1. ALL DIMENSIONS ARE IN MILLIMETERS.
2. SPECIFICATIONS SUBJECT TO CHANGE OR WITHDRAWL WITHOUT NOTICE.
3. THIS PART IS RoHS 2002/95/EC COMPLIANT.

UNLESS OTHERWISE SPECIFIED: DIMENSIONS ARE IN MILLIMETERS, TOLERANCES ARE $\pm 0.5$ AND ANGLES ARE $\pm 3^\circ$ .	SIZE <b>A3</b>	Designed by	Date	Checked by	Date	Approved by	Date	Drawn Date
		J.D.	9/6/2006	B.R.	9/6/2006	R.W.	9/6/2006	8/20/2007
APS4812B-LW100-R.idw		 <b>pui audio</b> a projects unlimited company		<b>APS4812B-LW100-R</b> <b>PIEZO SPEAKER</b>			Edition	Sheet
					-	1 / 1		