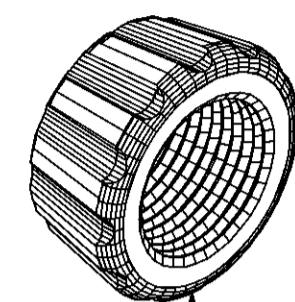
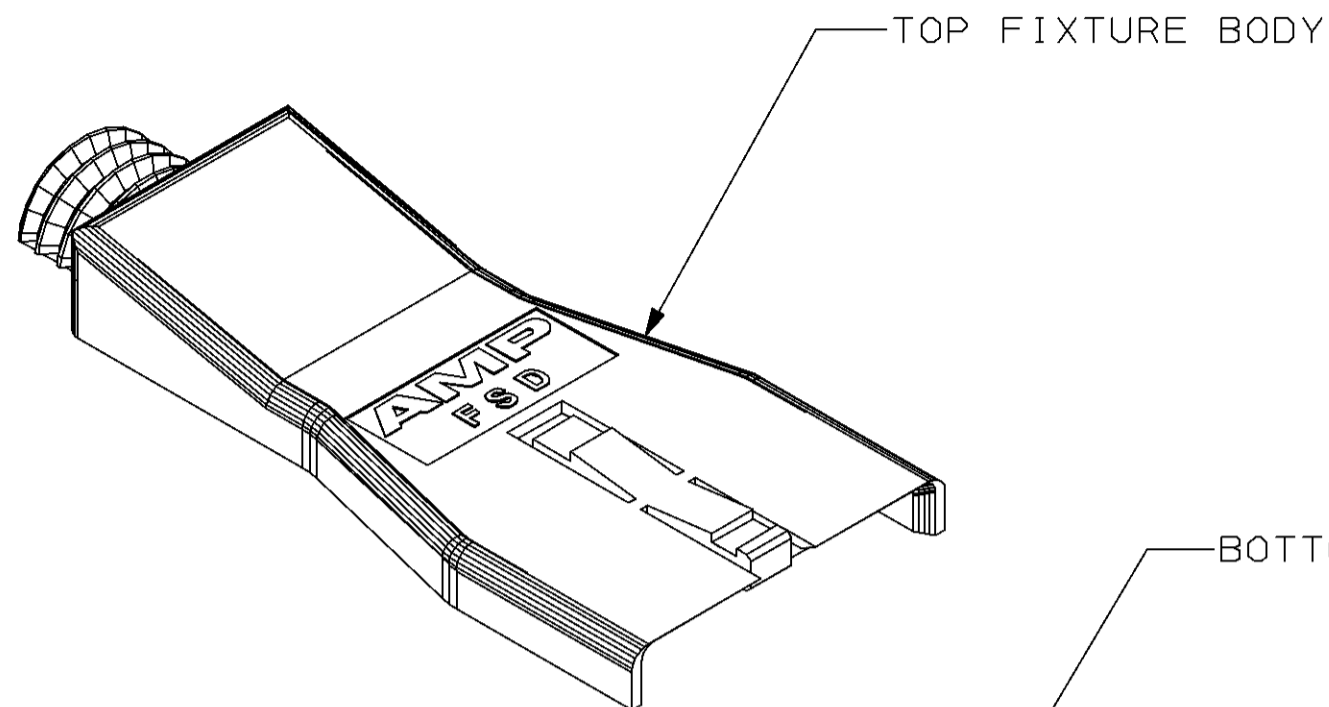


THIS DRAWING IS UNPUBLISHED. RELEASED FOR PUBLICATION ,19 .  
 © COPYRIGHT 19 BY AMP INCORPORATED, HARRISBURG, PA. ALL INTERNATIONAL RIGHTS RESERVED. AMP PRODUCTS MAY BE COVERED BY U.S. AND FOREIGN PATENTS AND/OR PATENTS PENDING.

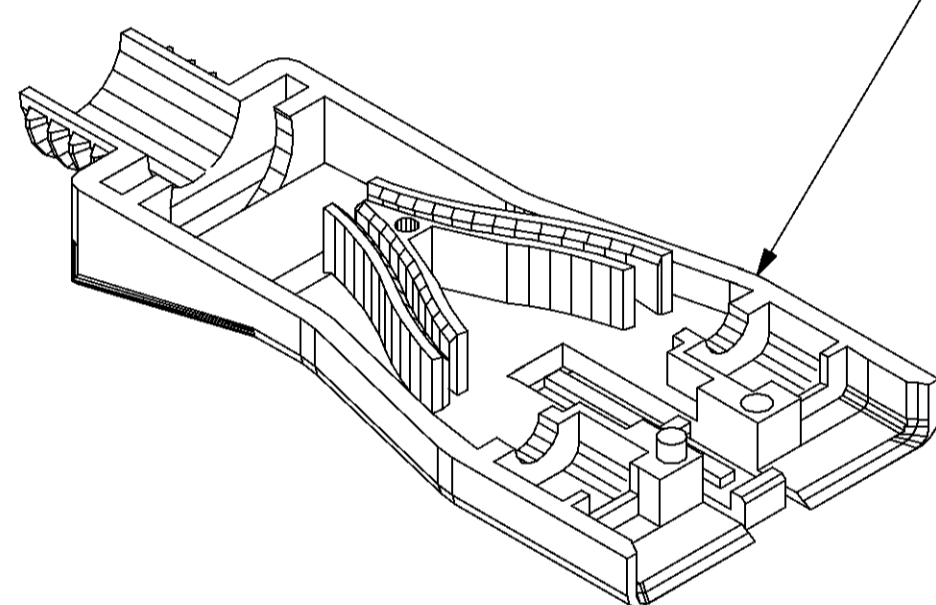
LOC	DIST	P	F	ZONE	LTR	DESCRIPTION	DATE	APPROVED
CE	16				B	REV PER CE-1619		/
					C	REV PER 0500-3175-93	11-2-93	BB/GL



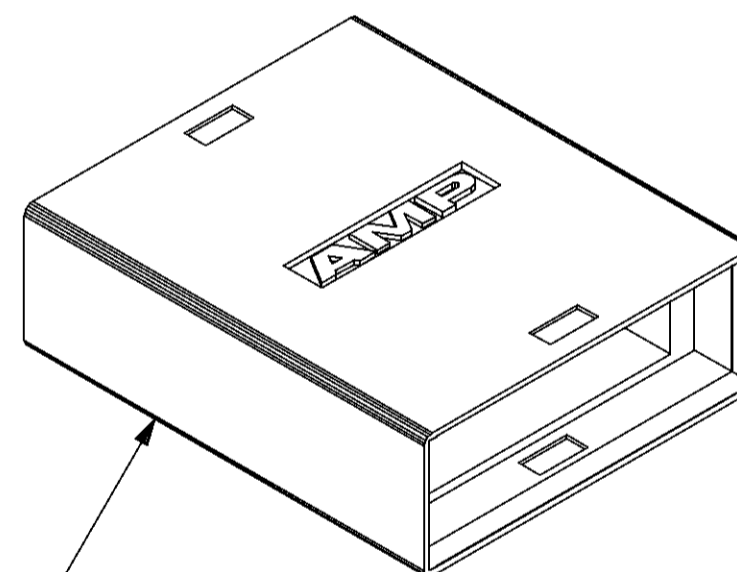
NUT



TOP FIXTURE BODY




BOTTOM FIXTURE BODY



PROTECTIVE SLEEVE

1 FIXTURE BODY, PROTECTIVE SLEEVE, AND NUT: PBT MOLDING COMPOUND

RESTRICTED RELEASE  
 DRAWING MAY CHANGE WITHOUT  
 CUSTOMER NOTIFICATION

DO NOT SCALE PRINT UNLESS SPECIFIED DIMENSIONS ARE IN INCHES TOLERANCES ON : 2 PL DEC ± - 3 PL DEC ± - ANGLES ± -		DR B. BRIGGS 5-20-88	 AMP INCORPORATED Harrisburg, Pa. 17105	
MATERIAL 1	CHK J. ZEIDERS 5-20-88	APPD L. BUDD 5-20-88		
FINISH -	APPD D. THOMPSON 5-20-88	NAME DUPLEX ASSY FIXTURE KIT, WITHOUT POLISHING BUSHING, AMP FSD		
	WEIGHT -			
SCALE NTS		SIZE C	FSCM NO 00779	DRAWING NO 502023
		SHEET 1 OF 1		

502023-1

PART NO