



SH-3 series

NPT mount SPDT switch



- 1 1/2"NPT or 2"NPT thread external mount
- SS 316L float material
- SS 304 other wetted parts material
- Available in direct switching version for use at up to 100°C or low power switching at up to 200°C
- Aluminium enclosure with screw on lid and cable gland

Technical Specification

Mounting style	External via screw thread	Mounting	1/2"NPT or 2"NPT
Float material	316L grade SS	Other wetted parts	SS 304
Maximum Temperature	100°C / 200°C	Cable entry	1/2"BSP
Maximum pressure	20 bar or 25 bar	Enclosure rating	IP65
Float SG	0.65 or 0.55	Sealing gasket	Not applicable
Minimum fluid SG	0.70 or 0.60		

The SH-3 series are NPT mount horizontal float operated level switches. This design uses a pivoted float arm with a magnet on the inboard end. This magnet when moved by the rising float arm interacts with another magnet in the switch enclosure to give a snap action operation.

Two switching options are available using either microswitches or reed switches, for different switching power and operating temperature ranges.

Available with either 1 1/2"NPT or 2" NPT thread mounting.

Electrical Specification

	SH-3052/SH-3151	SH-3052RH/SH-3151RH
Contact Form	SPDT	SPDT
Switching Voltage AC Max V	250	400
Switching Voltage DC Max V	120	400
Switching Current Max A	5	1

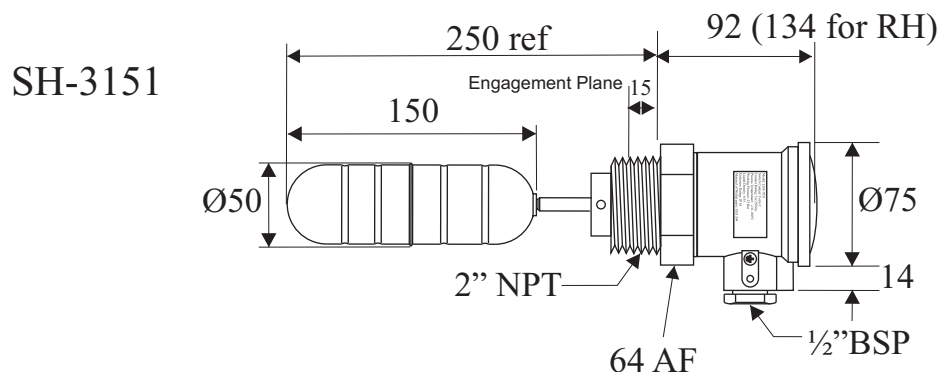
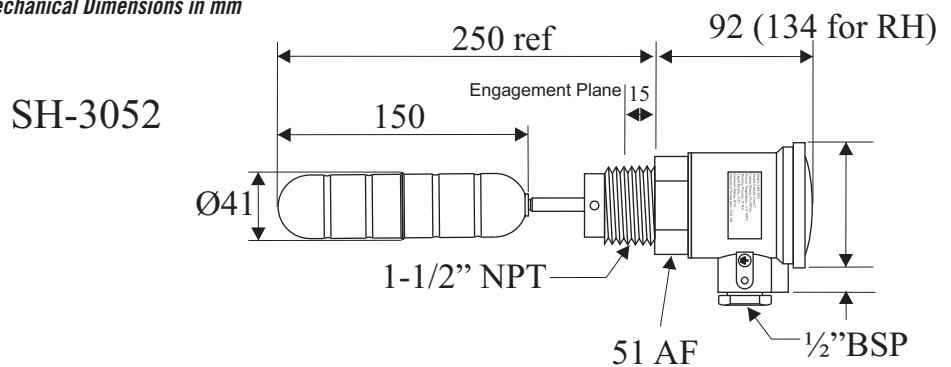
All ratings are for resistive load only. RH version should be limited to maximum power 60VA

Standard Parts

Standard Parts	Material	Max Current	Temperature Range	Min SG	Max pressure
SH-3052	SS 316L/304	5	0 - 100°C	0.70	20 bar
SH-3052RH	SS 316L/304	1	0 - 200°C	0.70	20 bar
SH-3151	SS 316L/304	5	0 - 100°C	0.60	25 bar
SH-3151RH	SS 316L/304	1	0 - 200°C	0.60	25 bar

Custom versions can be made for particular applications. Please contact Cynergy3 with your requirements.

Mechanical Dimensions in mm



Cynergy3 Components Ltd.
7 Cobham Road
Ferndown Industrial Estate
Wimborne, Dorset BH21 7PE
Telephone +44 (0) 1202 897969

Email:sales@cynergy3.com

ISO9001 CERTIFIED

www.cynergy3.com