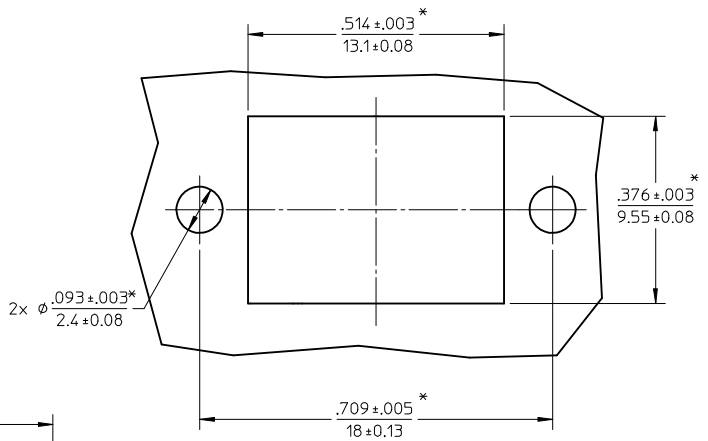
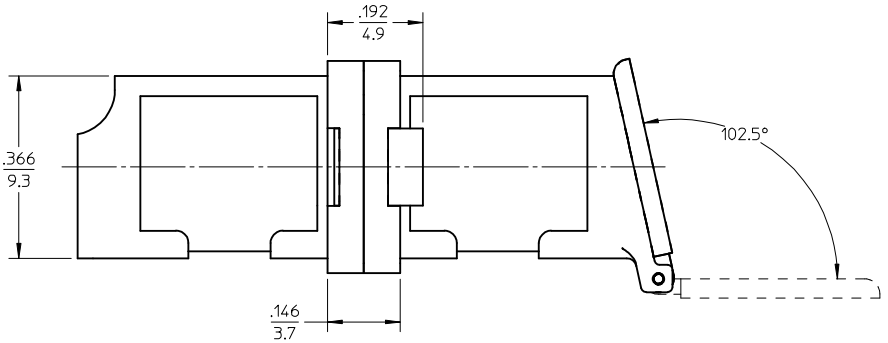
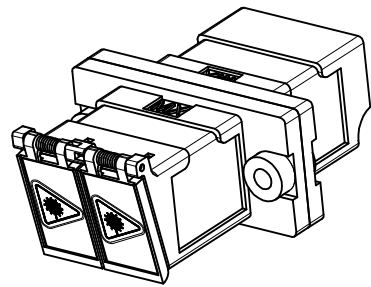
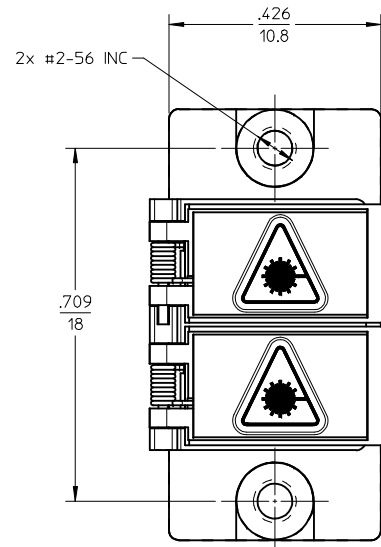
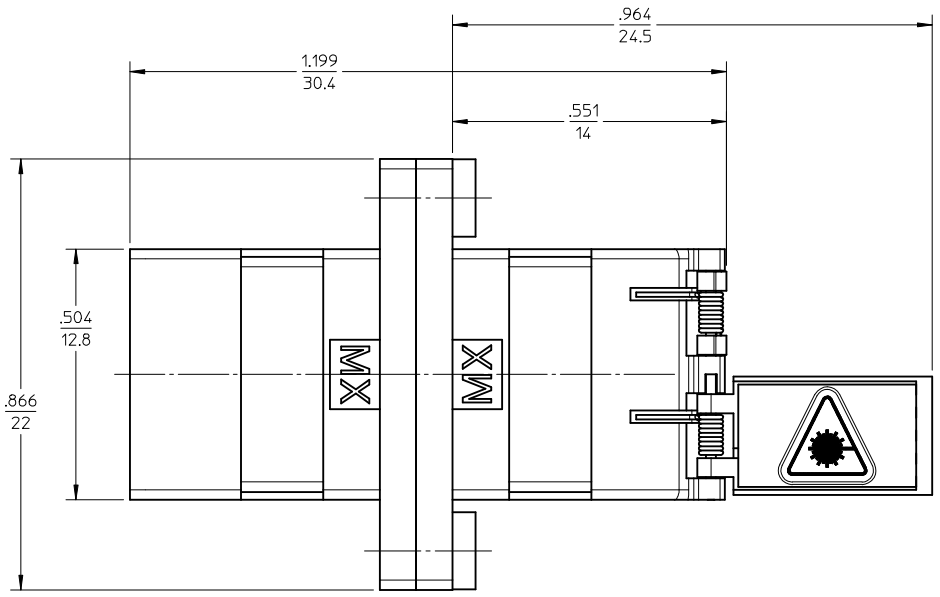


10 9 8 7 6 5 4 3 2 1



RECOMMENDED MOUNTING PATTERN



NOTES:
 1. ALL DIMENSIONS ARE FOR REFERENCE ONLY, EXCEPT WHERE MARKED WITH A *.
 2. DUST CAPS NOT SHOWN.

| ENTER DESCRIPTION EC NO: MF2010-0005 DRW:MKPEVNER 2009/07/17 CHKD: 2009/07/22 APPR:JGUMIN 2009/07/23 REV: A3 | QUALITY SYMBOLS ▽=0 ▽=0 | GENERAL TOLERANCES (UNLESS SPECIFIED) <table border="1"> <tr> <th></th> <th>mm</th> <th>INCH</th> </tr> <tr> <td>4 PLACES</td> <td>± .005</td> <td>± .0005</td> </tr> <tr> <td>3 PLACES</td> <td>± .004</td> <td>± .0004</td> </tr> <tr> <td>2 PLACES</td> <td>± .003</td> <td>± .0003</td> </tr> <tr> <td>1 PLACE</td> <td>± .002</td> <td>± .0002</td> </tr> </table> | | mm | INCH | 4 PLACES | ± .005 | ± .0005 | 3 PLACES | ± .004 | ± .0004 | 2 PLACES | ± .003 | ± .0003 | 1 PLACE | ± .002 | ± .0002 | DIMENSION STYLE IN/MM | SCALE 4:1 | DESIGN UNITS INCH | THIRD ANGLE PROJECTION |
|--|-------------------------------|--|---|--|------|---------------------|--------|---------|----------|--------|---------|----------|--------|---------|---------|--------|---------|--------------------------|--------------|----------------------|------------------------|
| | | mm | INCH | | | | | | | | | | | | | | | | | | |
| | 4 PLACES | ± .005 | ± .0005 | | | | | | | | | | | | | | | | | | |
| | 3 PLACES | ± .004 | ± .0004 | | | | | | | | | | | | | | | | | | |
| 2 PLACES | ± .003 | ± .0003 | | | | | | | | | | | | | | | | | | | |
| 1 PLACE | ± .002 | ± .0002 | | | | | | | | | | | | | | | | | | | |
| DRAFT WHERE APPLICABLE MUST REMAIN WITHIN DIMENSIONS | DRAWN BY PGIBLIN | DATE 2005/11/07 | CHECKED BY DATE | TITLE METAL LC DUPLEX ADAPTER (W/ THREADED INSERTS) | | | | | | | | | | | | | | | | | |
| | APPROVED BY DATE | MATERIAL NO. 1061271890 | DOCUMENT NO. SD-106127-1890 | MOLEX INCORPORATED | | | | | | | | | | | | | | | | | |
| | | SIZE B | THIS DRAWING CONTAINS INFORMATION THAT IS PROPRIETARY TO MOLEX INCORPORATED AND SHOULD NOT BE USED WITHOUT WRITTEN PERMISSION | | | SHEET NO. 1 OF 1 | | | | | | | | | | | | | | | |

9 8 7 6 5 4 3 2 1