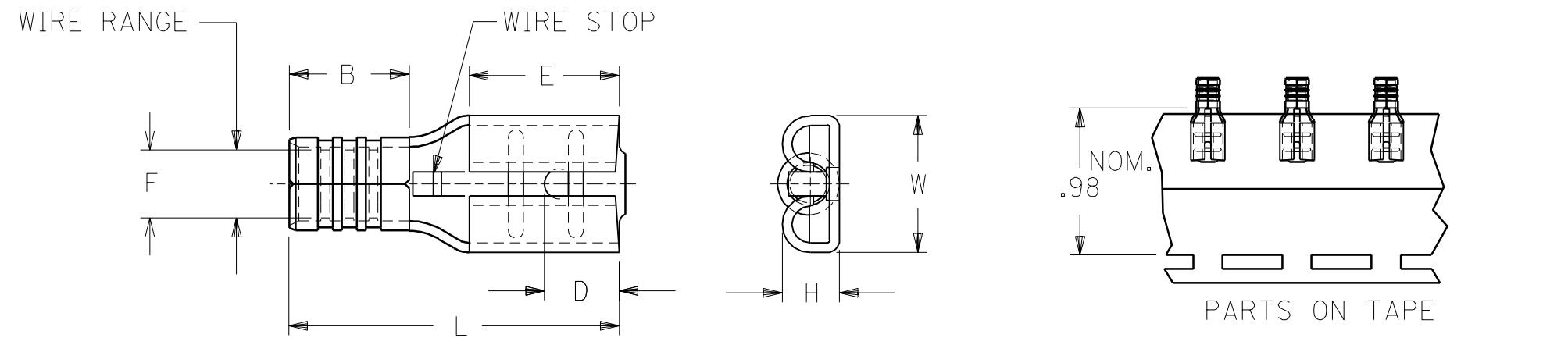


PART NUMBERS ARE FOR LOOSE PIECE TO ORDER PARTS ON TAPE ADD A "T" TO END OF PART NUMBER

PART NUMBER	WIRE RANGE AWG	WIRE RANGE MM ²	FITS MALE TAB SIZE	STOCK THICK.	"L" MAX.	"B" ±.01	"W" MAX.	"D" ±.01	"H" ±.01	"E" NOM.	"F" MIN
AA-1140	22-18	0.25-1.3	.250x.032	.016	.66	.190	.30	.156	.103	.31	Ø.062



MATERIAL: BRASS
FINISH: ELECTRO-TIN PLATING

A	RELEASE OF NEW CUSTOMER DWG ETC70766 3/25 EDB
LTR.	REVISIONS

DIMENSIONS SHOWN (METRIC) INCH	
UNLESS OTHERWISE SPECIFIED TOLERANCES: ANGULAR ± 1/2°	
	INCH METRIC
3 PLACE	± .005 ± ---
2 PLACE	± .01 ± 0.13
1 PLACE	± --- ± 0.25
DRAFT WHERE APPLICABLE MUST REMAIN WITHIN DIMENSIONS	
DRWG. BY EDB	CHK'D. BY RWD
APP'D. BY RWD	SCALE :

REVISE ONLY ON CAD SYSTEM			
TITLE KRIMPTITE QUICK DISCONNECT AA-1140 22-18 AWG			
moLEX ETC INC. PINELLAS PARK, FLA. 33781 U.S.A.		SHEET NO.	DATE 97 / 3/24
PART NO. AA-1140		DRWG. NO. CD-1905	
FILE NAME CD1905 CST	THIS DRAWING CONTAINS INFORMATION THAT IS PROPRIETARY TO MOLEX-ETC INC. AND SHOULD NOT BE USED WITHOUT WRITTEN PERMISSION.		DIV. SIZE A