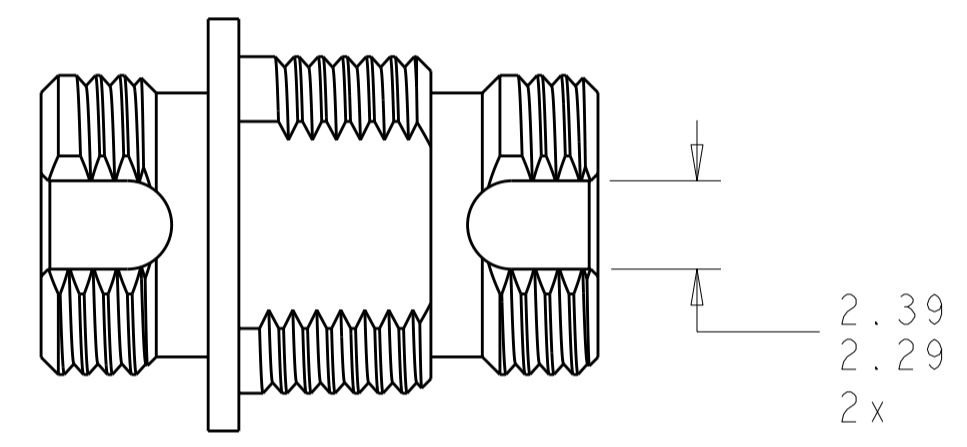
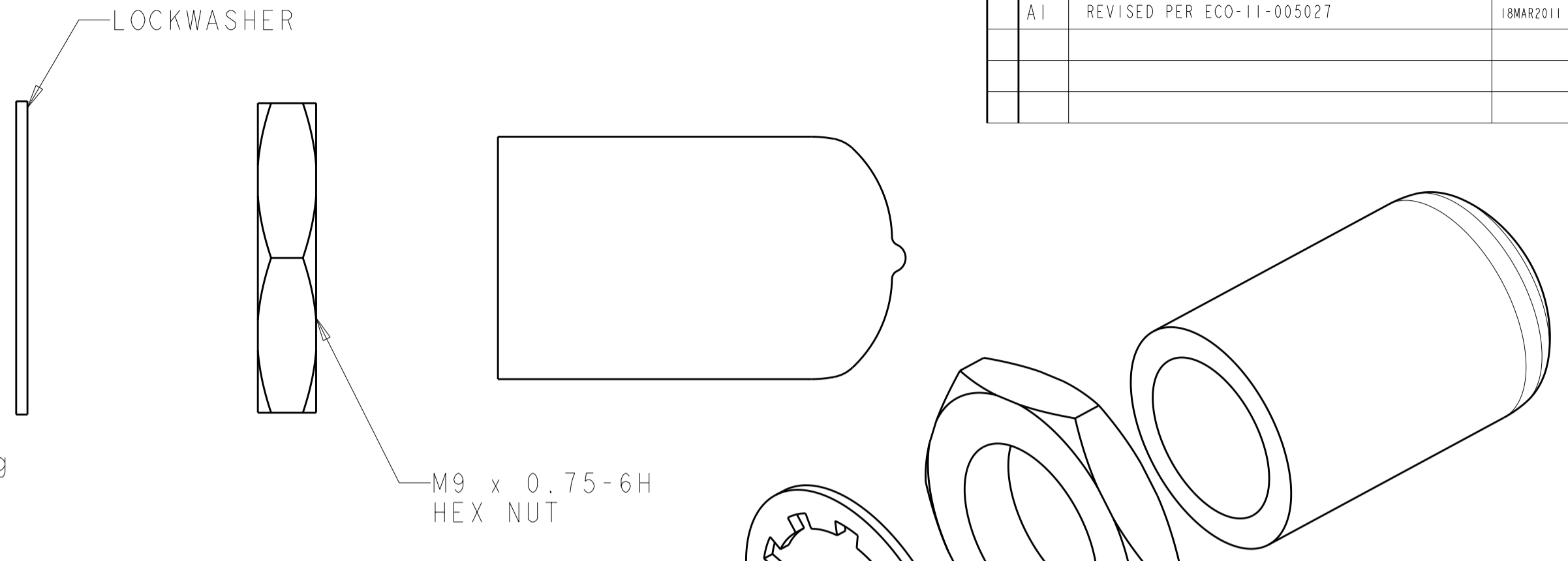
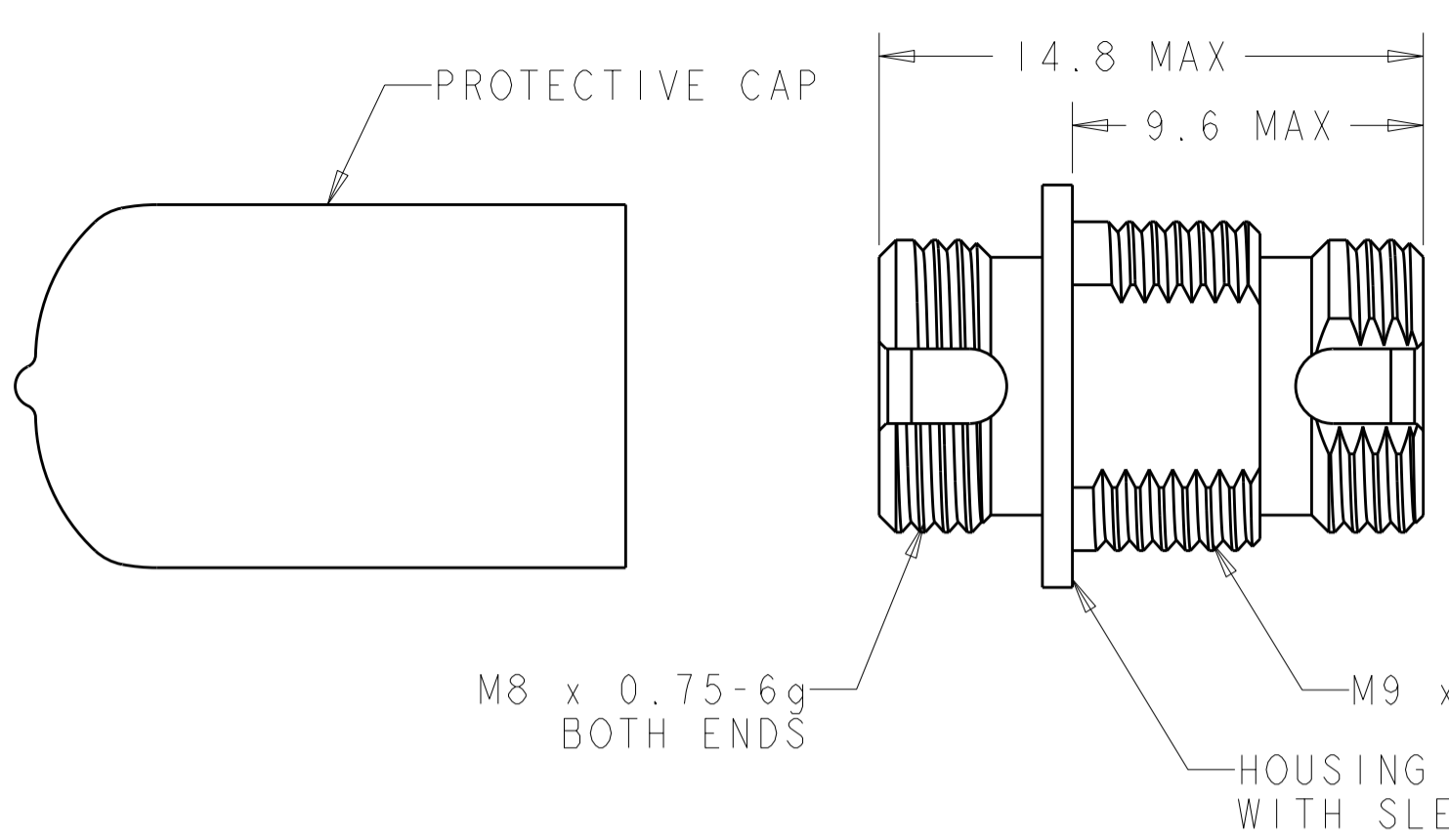
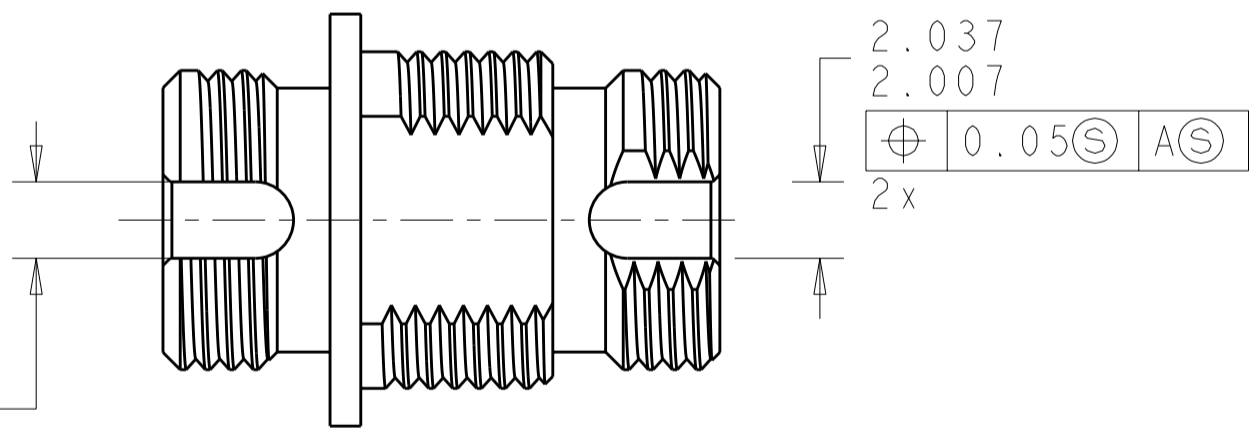


THIS DRAWING IS UNPUBLISHED. RELEASED FOR PUBLICATION 20  
 © COPYRIGHT 20 BY - ALL RIGHTS RESERVED.

LOC	DIST	REVISIONS					
CE	00	P	LTR	DESCRIPTION	DATE	DWN	APVD
		AI		REVISED PER ECO-11-005027	18MAR2011	RK	HMR

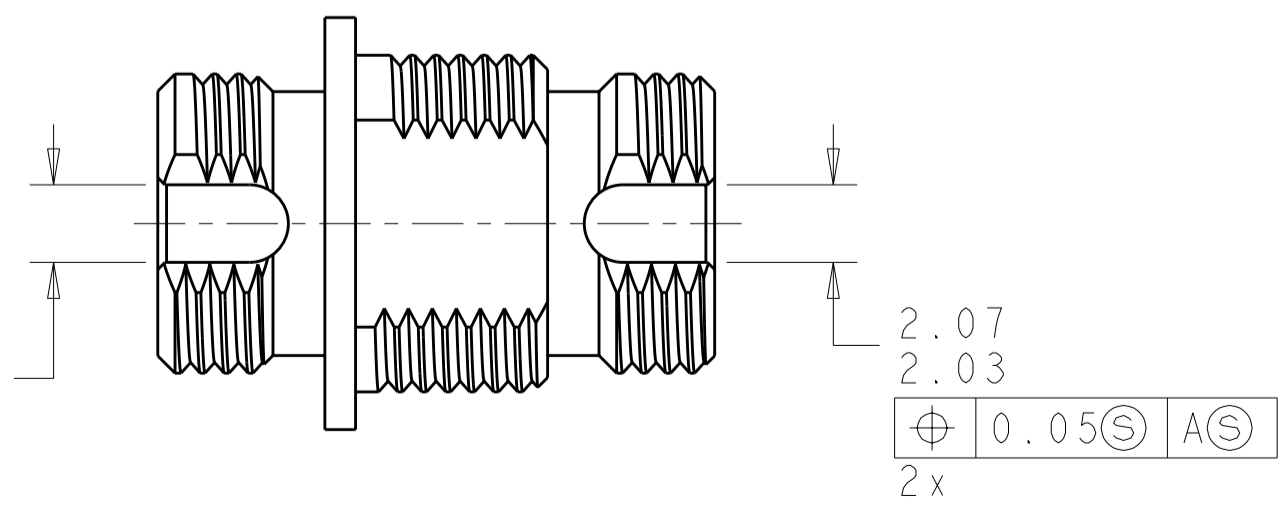


STANDARD SLOT



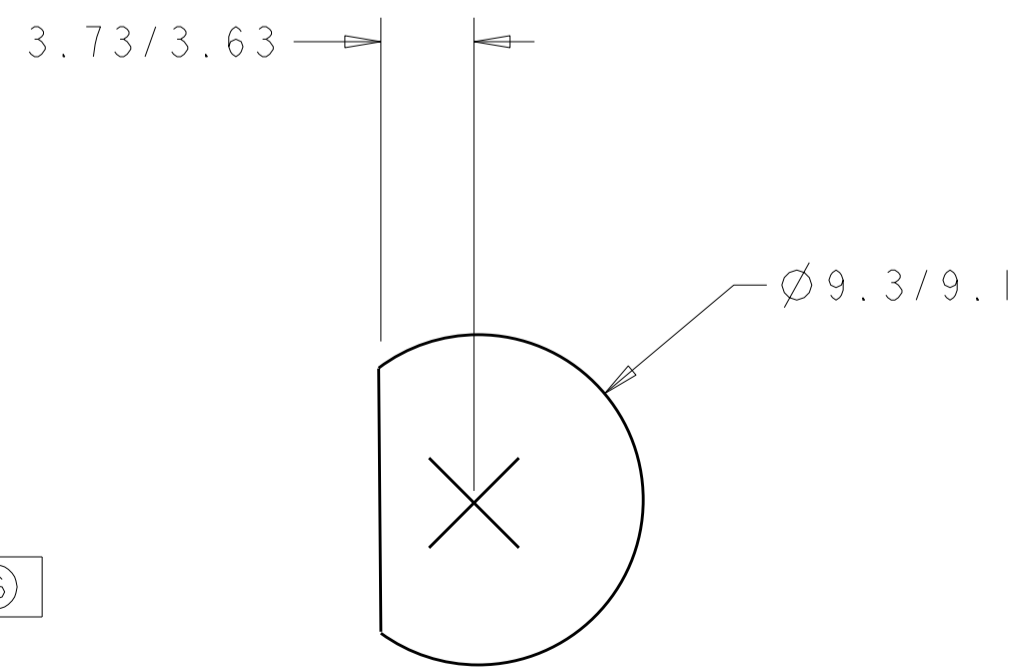
PRECISION SLOT (2.02)

-A-



PRECISION SLOT (2.05)

-A-



SUGGESTED PANEL CUTOUT  
 MAX. PANEL THICKNESS 1.65

1 MATERIAL:  
 HOUSING, INSERT, HEX NUT: BRASS, NICKEL PLATED.  
 SLEEVE: SEE TABLE.  
 LOCK WASHER: STEEL, NICKEL PLATED.  
 PROTECTIVE CAP: PVC, NON-FR.

2 BULK PACKAGE.

DESCRIPTION	SLEEVE MATERIAL	PART NUMBER
PRECISION SLOT (2.05)	ZIRCONIA (LOW LOSS)	1-5504407-2
2 PRECISION SLOT (2.05)	ZIRCONIA	5504407-9
PRECISION SLOT (2.05)	ZIRCONIA	5504407-8
PRECISION SLOT (2.02)	ZIRCONIA	5504407-7
2 PRECISION SLOT (2.02)	ZIRCONIA	5504407-6
2 STANDARD SLOT	ZIRCONIA	5504407-4
STANDARD SLOT	ZIRCONIA	5504407-3
2 STANDARD SLOT	PHOS BRONZE	5504407-2
STANDARD SLOT	PHOS BRONZE	5504407-1

THIS DRAWING IS A CONTROLLED DOCUMENT.

DWN B. BRIGGS 19JUL2005  
 CHK S. BUCHTER 19JUL2005  
 APVD S. BUCHTER 19JUL2005

STE TE Connectivity

NAME ADAPTER KIT, FC, PRECISION AND STANDARD SLOT

SIZE CAGE CODE DRAWING NO RESTRICTED TO  
 A200779 C-5504407 -

MATERIAL 1

TOLERANCES UNLESS OTHERWISE SPECIFIED:  
 0 PLC ±  
 1 PLC ±  
 2 PLC ±0.25  
 3 PLC ±  
 4 PLC ±  
 ANGLES ±  
 FINISH

PRODUCT SPEC -  
 APPLICATION SPEC -  
 WEIGHT -

CUSTOMER DRAWING SCALE 5:1 SHEET 1 OF 1 REV AI