

THIS DRAWING IS UNPUBLISHED.

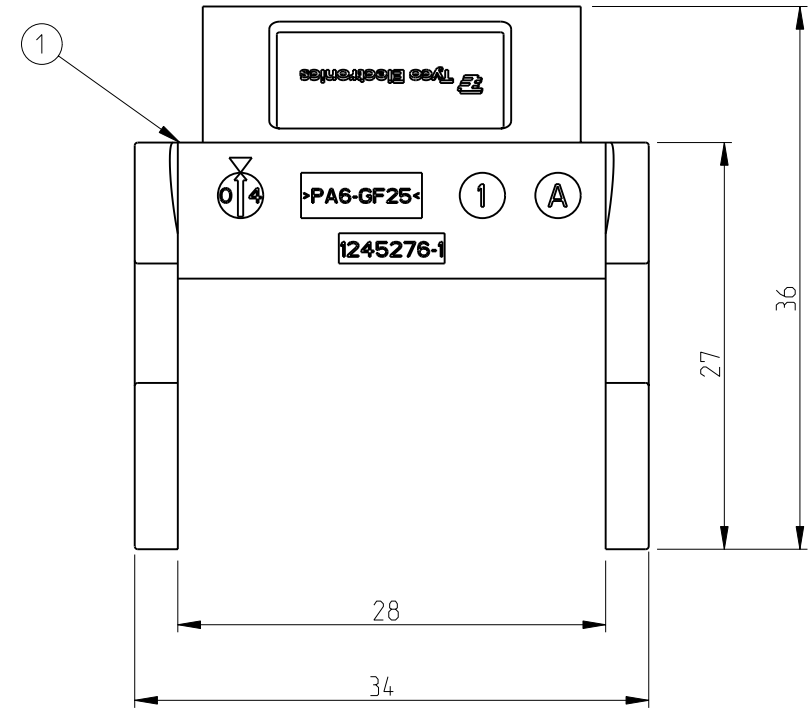
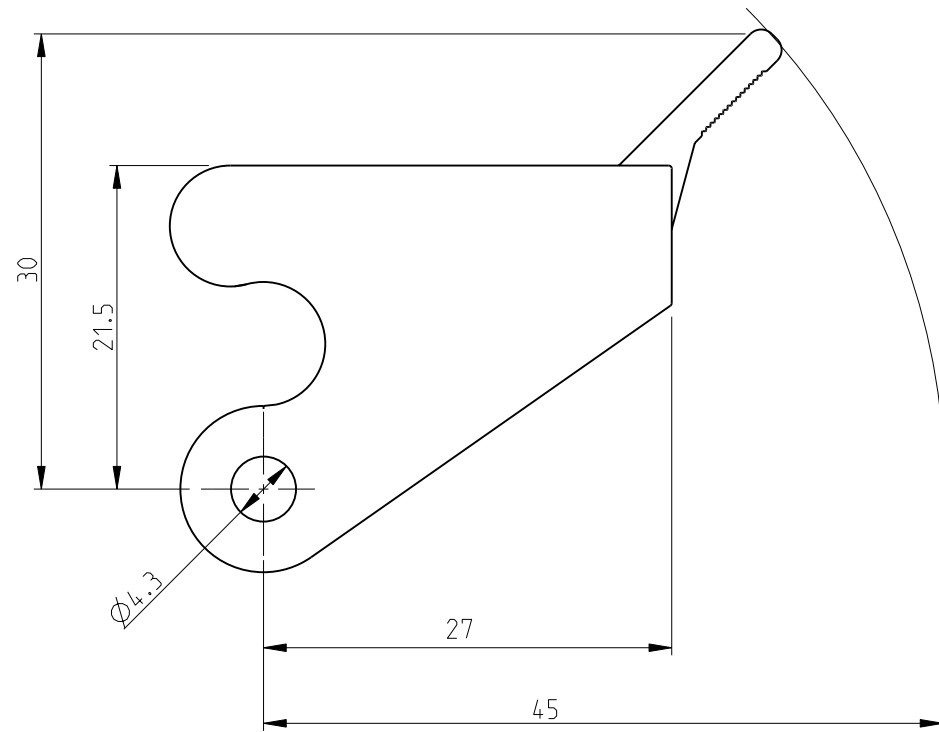
RELEASED FOR PUBLICATION

2011

© COPYRIGHT 2000

ALL RIGHTS RESERVED.


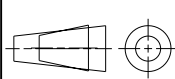
LOC	DIST	REVISIONS					
		P	LTR	DESCRIPTION	DATE	DWN	APVD
A1	-		A3	REVISED PER ECO-11-005107	24MAR2011	HMR	MM



PN: 0-2 as shown

Packaging quantity: 100 pieces

1	HG-Q. SIDE CLIP	SIDE CLIP	PA6.6-GF25	BLACK		1
0-2	ORDERING TEXT	DESCRIPTION	MATERIAL	SURFACE	NOTES	ITEM

THIS DRAWING IS A CONTROLLED DOCUMENT.		DWN Schneider 11.08.06	 TE Connectivity SIDE CLIP HG-Q8 -			
DIMENSIONS: mm		CHK T.Schnurpfeil 11.08.06				
		APVD T.Schnurpfeil 11.08.06				
TOLERANCES UNLESS OTHERWISE SPECIFIED: n.ISO 8015: n.ISO 2768-MH-E: n.DIN 16901-120		PRODUCT SPEC 108-74052				
MATERIAL		APPLICATION SPEC 114-74064	SIZE A3	CAGE CODE 00779	DRAWING NO C-1245276	RESTRICTED TO -
FINISH		WEIGHT 0.001 KG	CUSTOMER DRAWING		SCALE 2:1	SHEET 1 OF 1
					REV A3	