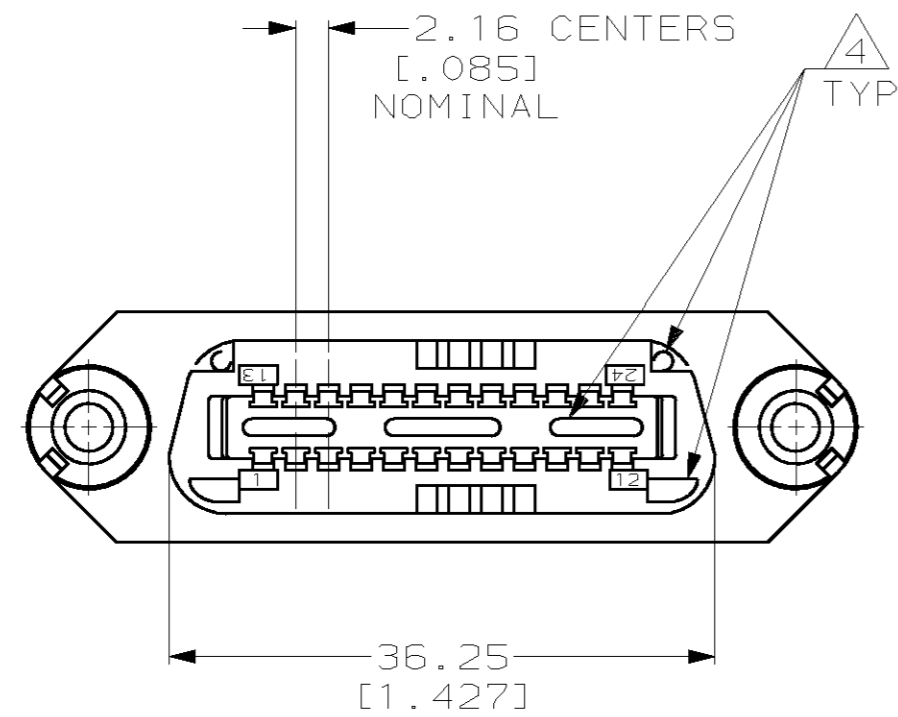
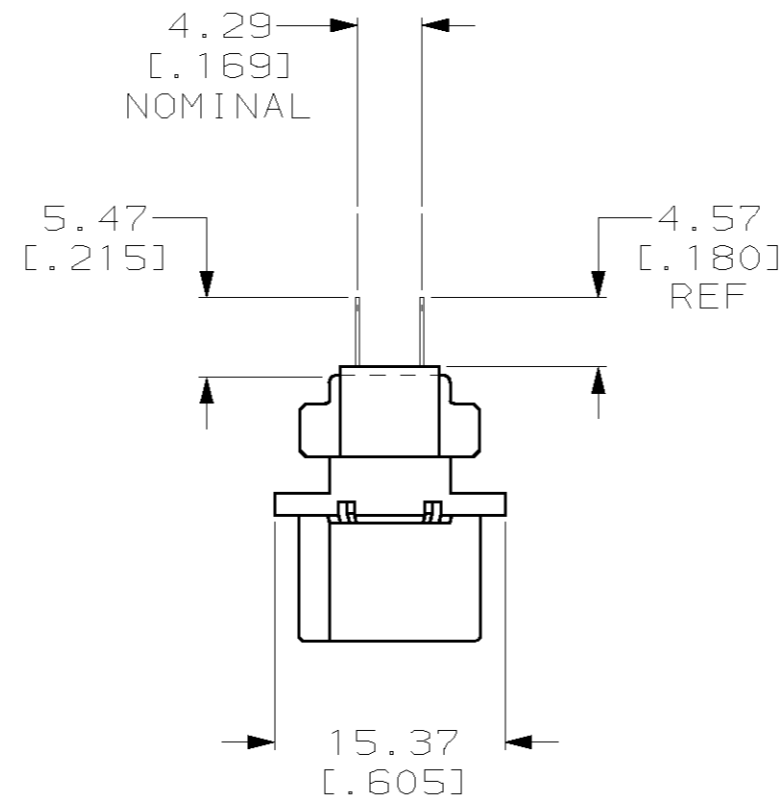
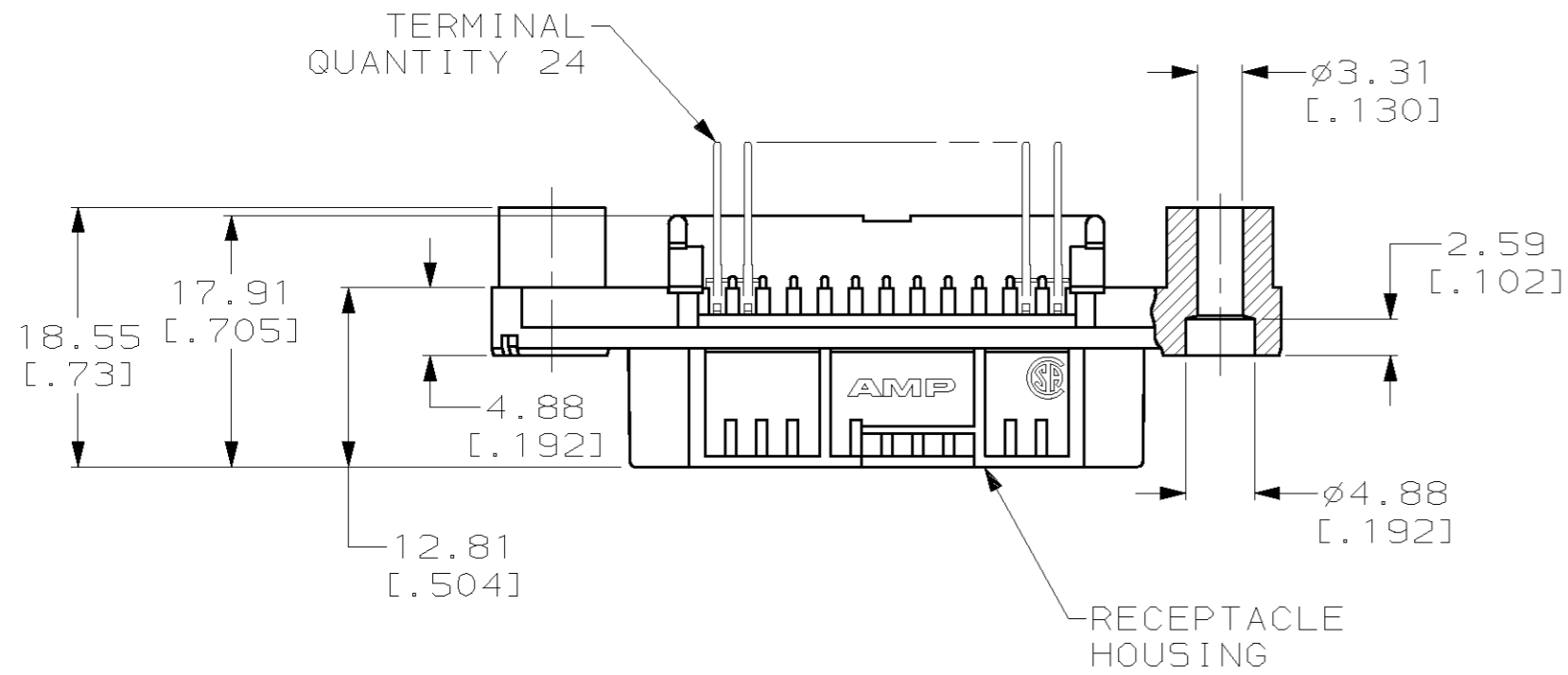
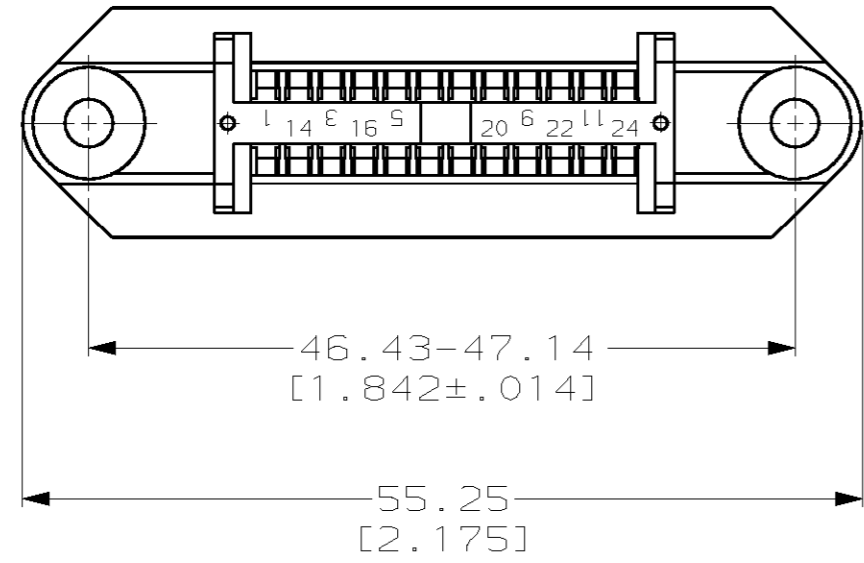


THIS DRAWING IS UNPUBLISHED. RELEASED FOR PUBLICATION .19  
 © COPYRIGHT 19 BY AMP INCORPORATED. ALL RIGHTS RESERVED.

LOC	DIST	REVISIONS			
P	LTR	DESCRIPTION	DATE	DWN	APVD
AA	20	H	REVISED; EC 001C-0072-01	11MAY01	DLD EWB



- 1. DIMENSIONS ARE MAXIMUM UNLESS OTHERWISE SPECIFIED.
- 2. THE CONTACT SURFACES OF THE TERMINALS ARE COATED WITH LUBRICANT.
- 3. MATERIAL: HOUSING - THERMOPLASTIC, BLACK. TERMINALS - PHOSPHOR BRONZE PLATED WITH 0.76µm [.000030] MINIMUM GOLD ON MATING SURFACE AND 3.05µm [.000120] MINIMUM MATTE TIN-LEAD ON TAILS OVER 1.27µm [.000050] MINIMUM NICKEL UNDERPLATE OVER ENTIRE TERMINAL.
- 4. THIS FEATURE IS A CORED AREA AND IS OPTIONAL ON PART.

552224

552224-1  
PART NUMBER

THIS DRAWING IS A CONTROLLED DOCUMENT.		DWN B. SIMPSON 28JUL94	AMP TYCO Electronics Harrisburg, PA 17105-3608	
DIMENSIONS: [mm] INCHES		CHK C. WHITT 26OCT94	NAME RECEPTACLE ASSEMBLY, 24 POSITION, VERTICAL MOUNTING WITH STANDOFFS, CHAMP-LOK	
TOLERANCES UNLESS OTHERWISE SPECIFIED:		APVD R. FLAHERTY 02NOV94	SIZE A2	CAGE CODE 00779
0 PLC ±- 1 PLC ±- 2 PLC ±- 3 PLC ±- 4 PLC ±- ANGLES ±- FINISH		PRODUCT SPEC - APPLICATION SPEC - WEIGHT -	DRAWING NO 552224	RESTRICTED TO -
MATERIAL		CUSTOMER DRAWING		SCALE 2:1
		SHEET 1 OF 1		REV H