

SPECIFICATION

Part No. : **PC23.09.0100A**

Product Name : **Internal Circular PCB Antenna**
AMPS/GSM/PCS/DCS Cellular PCB Antenna
100mm 1.13 MMCX(M)RA

Features : Diameter 42mm*Height 1.6mm

Photo:



1. Introduction

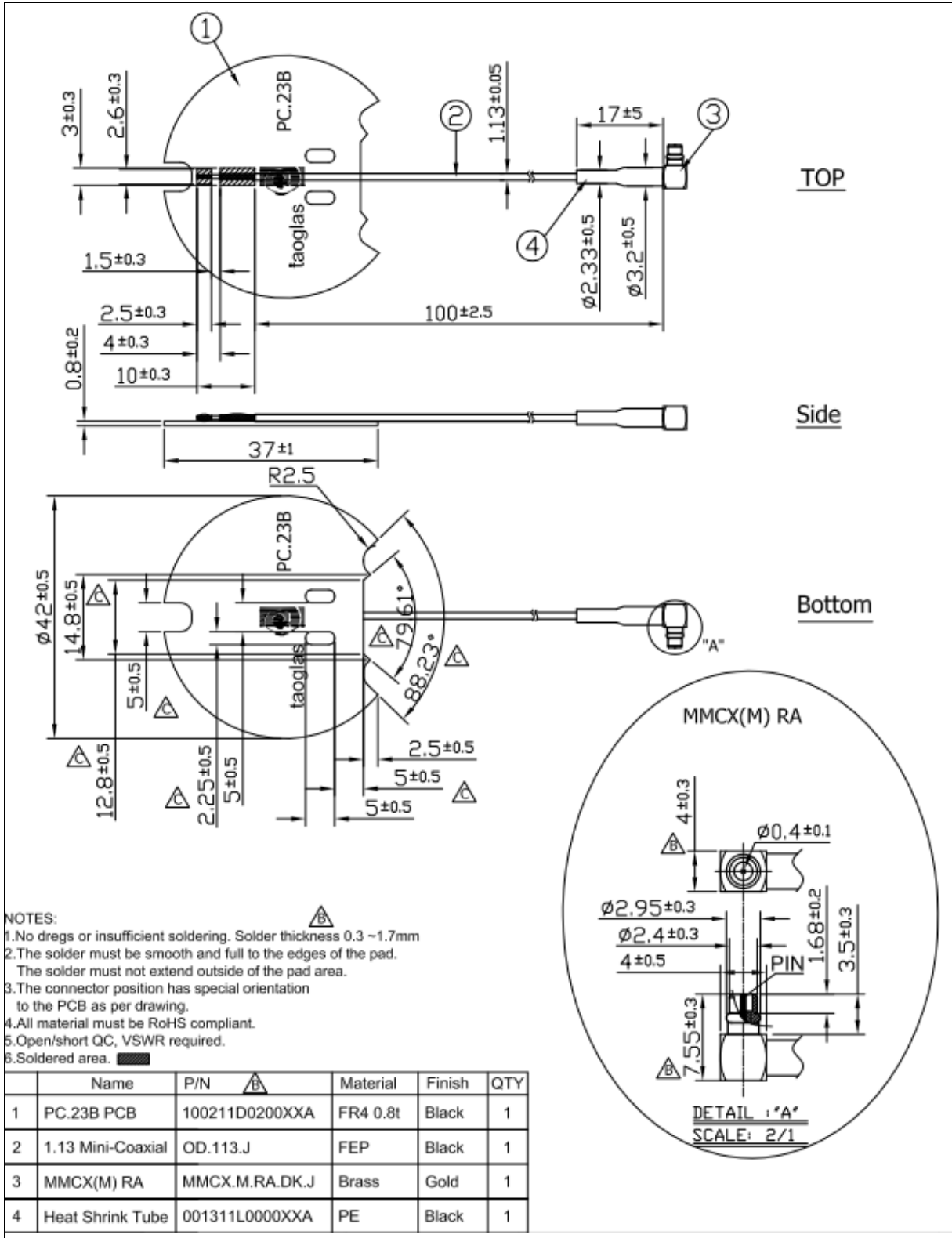
The PC23 Internal PCB Antenna is a circular Quad-band GSM antenna for incorporation antennas and transceiver modules worldwide. Omni-directional high gain across all bands ensures constant reception and transmission. Cables and connectors are fully customizable.

2. Typical Antenna Performance in free space

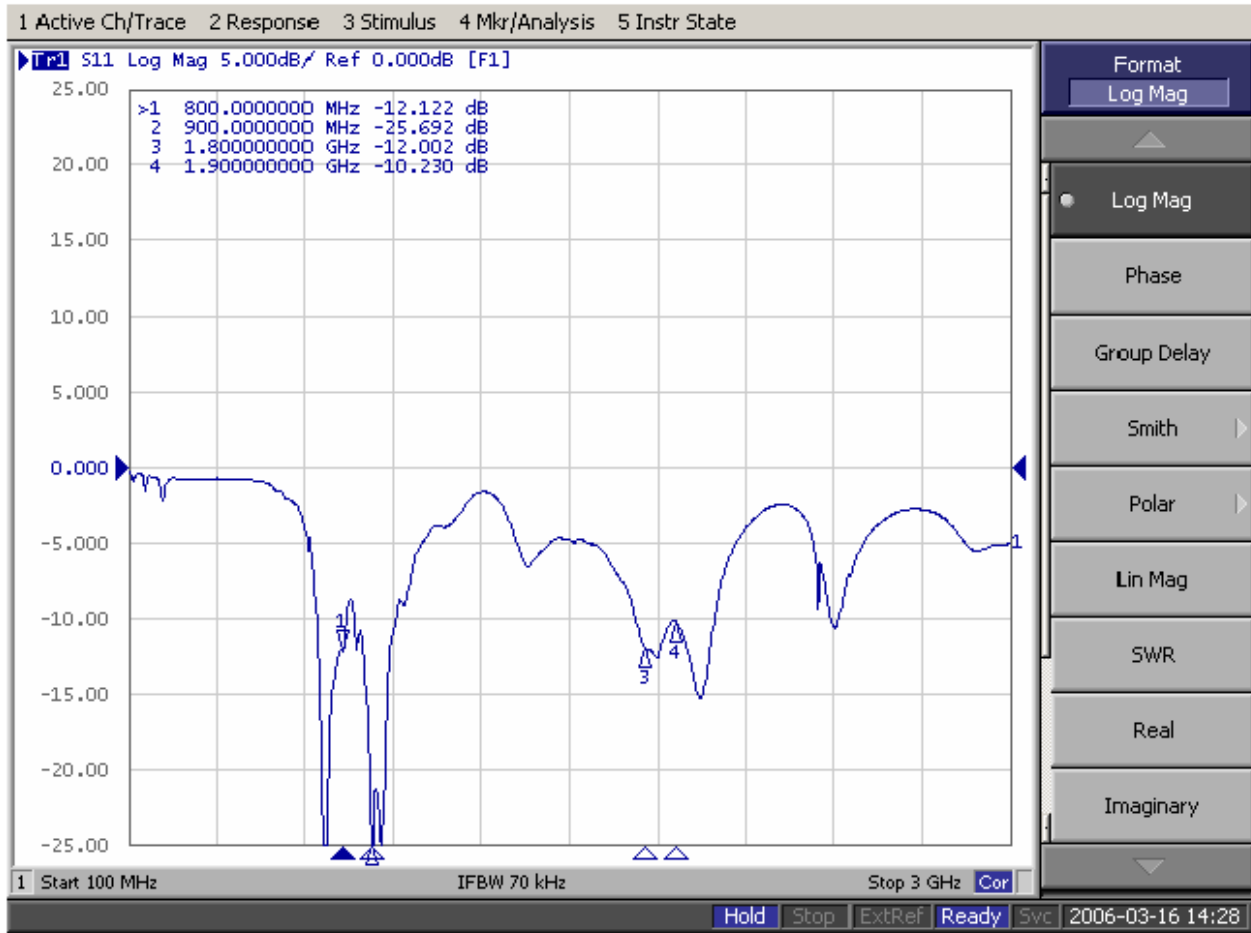
Specifications				
ELECTRICAL				
	AMPS	GSM	PCS	DCS
Band	824-896	880-960	1850-1990	1710-1880
Return Loss	-12 dB	-25 dB	-12 dB	-10 dB
Gain	Average 0 dBi			
Polarization	Linear			
Impedance	50 ohms			
Input Power	10 watts			
Input Connection	Coaxial Cable - RG174 Standard, Fully customizable			
VSWR (Min performance)	<2.0:1			

***note: specifications may be subject to change**

3. Outline Drawing

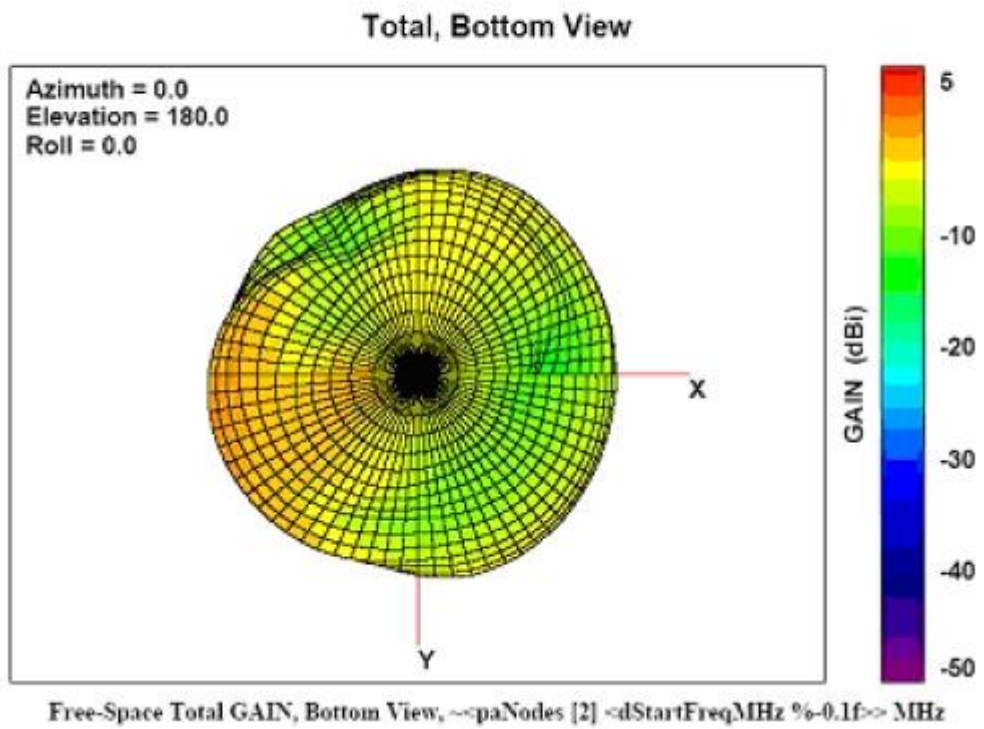


4. S11 Magnitude

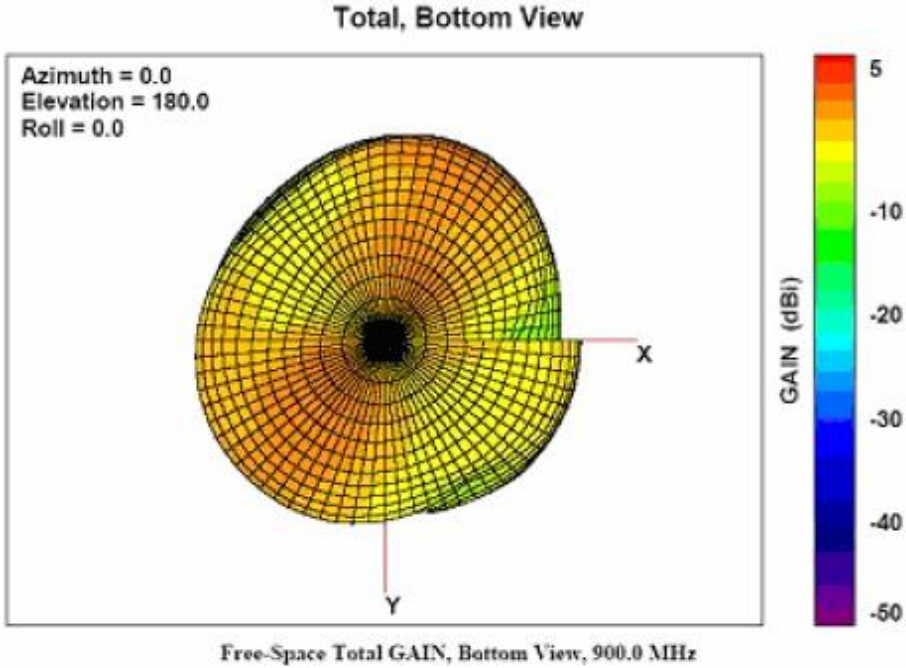


5. Radiation Patterns

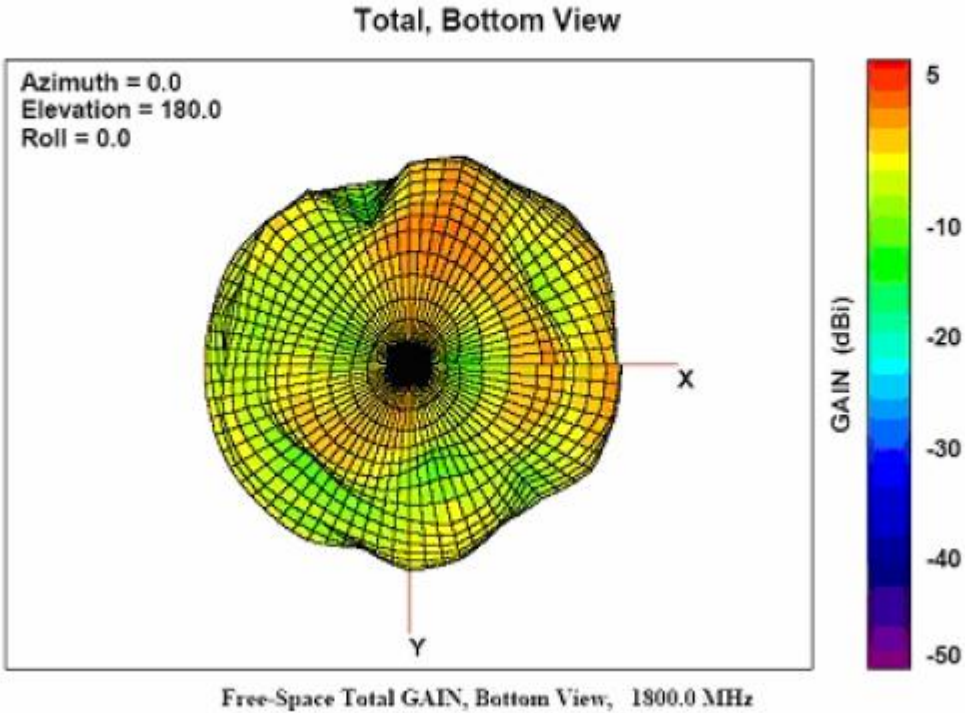
800 MHz – 3D Radiation Pattern



900 MHz – 3D Radiation Pattern

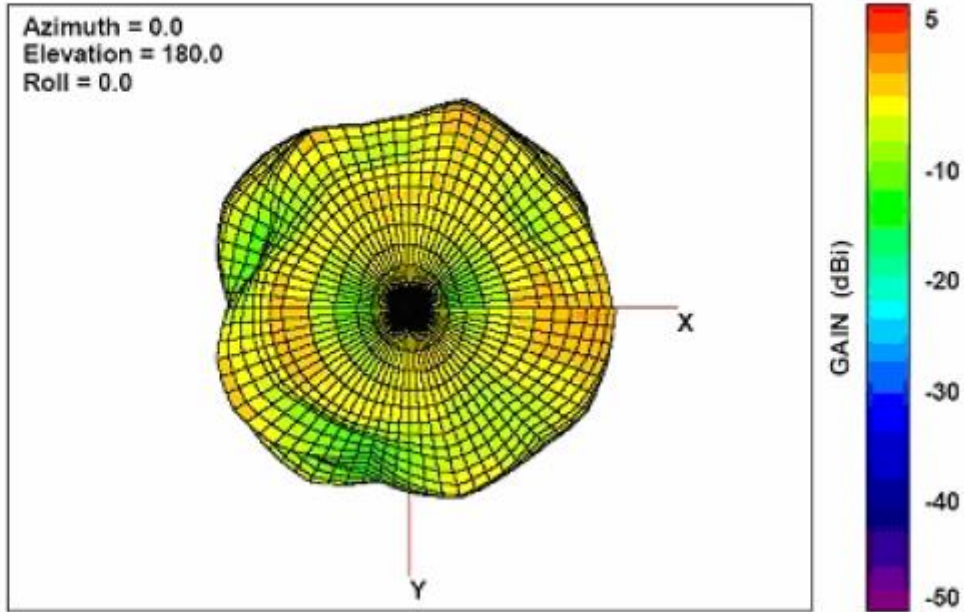


1800 MHz – 3D Radiation Pattern



1900 MHz – 3D Radiation Pattern

Total, Bottom View



Free-Space Total GAIN, Bottom View, 1900.0 MHz