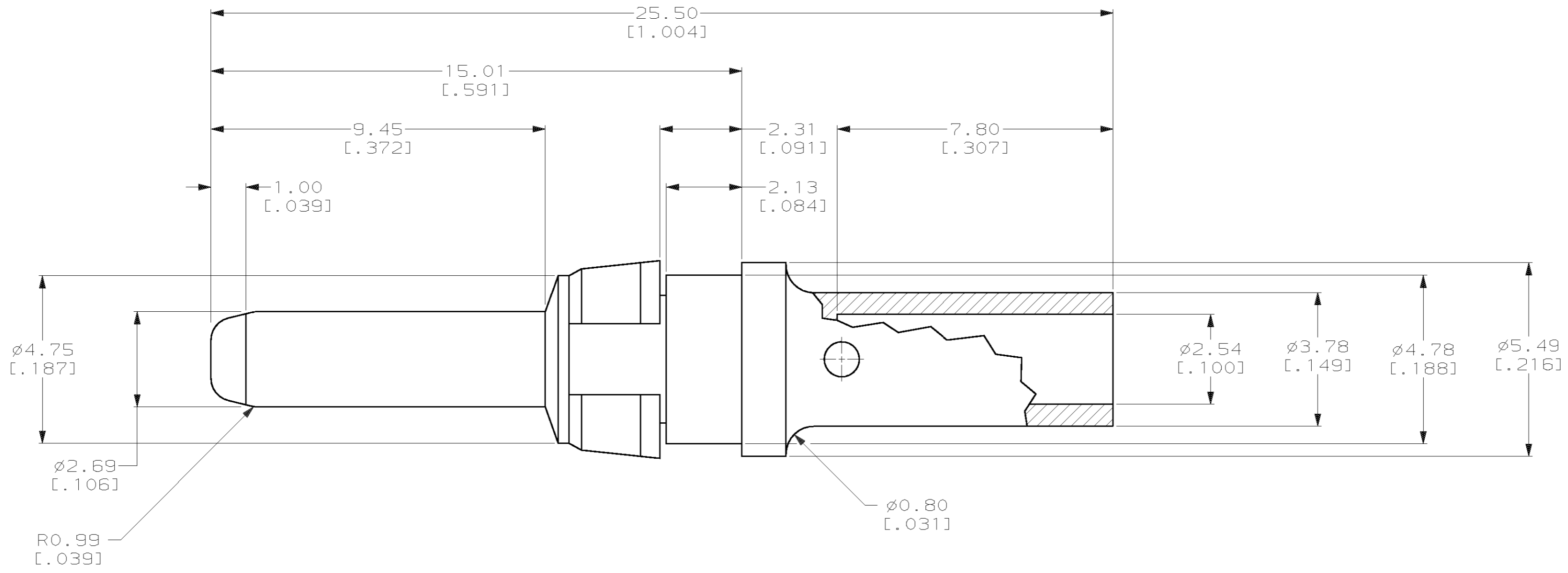


THIS DRAWING IS UNPUBLISHED. RELEASED FOR PUBLICATION .19  
 © COPYRIGHT 19 BY AMP INCORPORATED. ALL RIGHTS RESERVED.

LOC		DIST		REVISIONS			
P	LTR	DESCRIPTION	DATE	DWN	APVD		
AD	25	C	REDRAWN PER EC 001B-0034-00	23 MAR 00	-	-	



- 1 CONTACT: BRASS.  
RETAINING RING: BERYLLIUM COPPER.
- 2 CONTACT: 0.76µm[.000030] MIN GOLD  
OVER 1.27µm[.000050] MIN NICKEL.
- 3. WIRE BARREL WILL ACCEPT 12-14 AWG WIRE.
- 4. MATES WITH 148250-1.
- 5. RECOMMENDED CRIMPING TOOL: DANIELS TOOL  
#M300-BT, POSITIONER PART NUMBER SP689,  
SETTING #1, STRIP LENGTH 8.13[.320].

148249-1  
PART NUMBER

THIS DRAWING IS A CONTROLLED DOCUMENT.		DWN B.CARBO	23 MAR 00	AMP Incorporated Harrisburg, PA 17105-3608											
DIMENSIONS: mm [INCHES]		CHK C.RICHARD	23 MAR 00												
TOLERANCES UNLESS OTHERWISE SPECIFIED:		APVD C.RICHARD	23 MAR 00												
<table border="1"> <tr><td>0 PLC</td><td>±-</td></tr> <tr><td>1 PLC</td><td>±-</td></tr> <tr><td>2 PLC</td><td>±0.13 [.005]</td></tr> <tr><td>3 PLC</td><td>±-</td></tr> <tr><td>4 PLC</td><td>±-</td></tr> <tr><td>ANGLES</td><td>±-</td></tr> </table>		0 PLC	±-		1 PLC	±-	2 PLC	±0.13 [.005]	3 PLC	±-	4 PLC	±-	ANGLES	±-	PRODUCT SPEC
0 PLC	±-														
1 PLC	±-														
2 PLC	±0.13 [.005]														
3 PLC	±-														
4 PLC	±-														
ANGLES	±-														
MATERIAL	FINISH	APPLICATION SPEC	-	NAME POWER CONTACT, MALE, CRIMP, "MFBL", AWG 12-14 (20 AMP)											
		WEIGHT	-	SIZE A2											
		CUSTOMER DRAWING	SCALE 10:1	CAGE CODE 00779											
				DRAWING NO 148249											
				RESTRICTED TO -											
				SHEET 1 OF 1											
				REV C											

148249