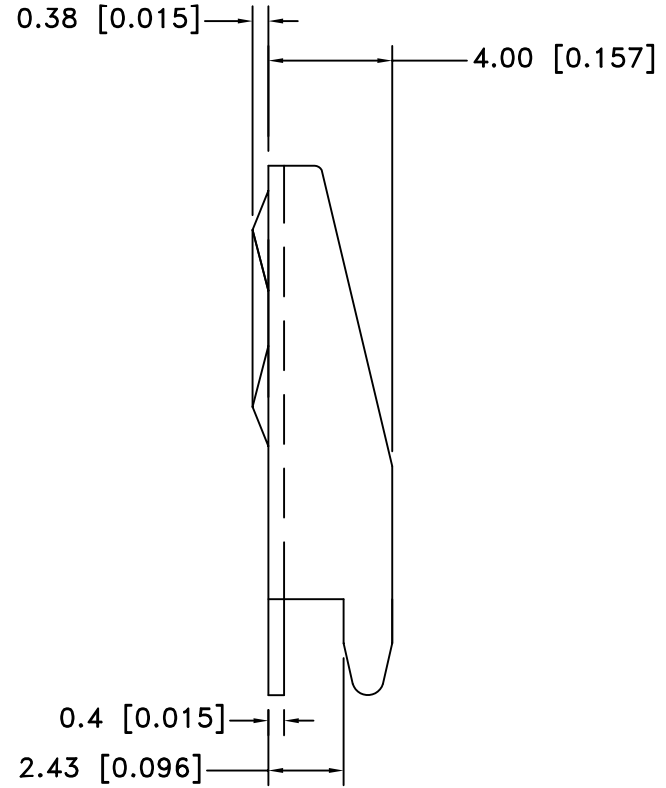
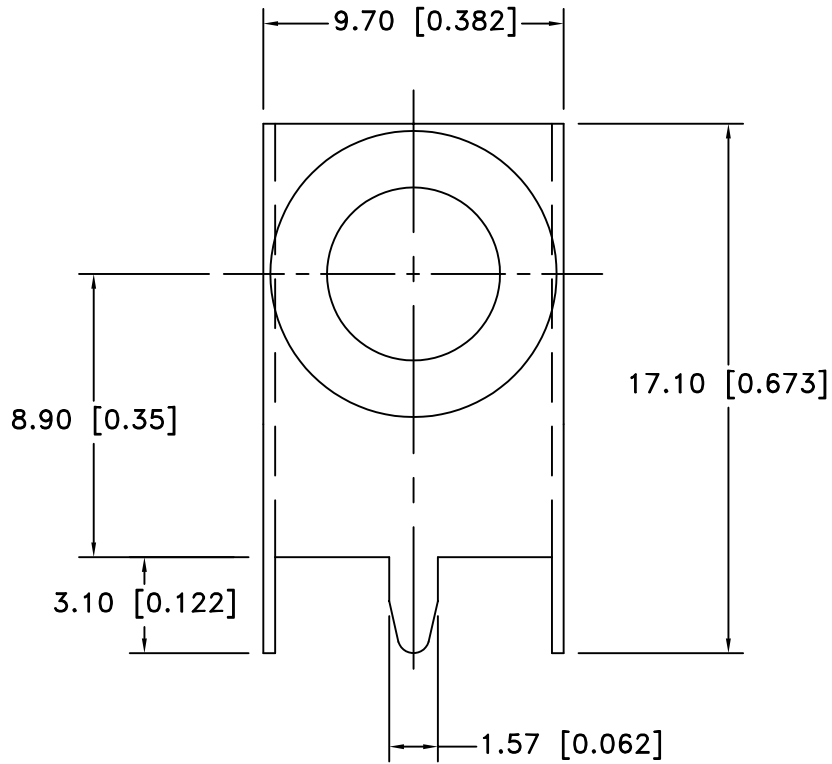



| Date | SYM | REVISION RECORD | AUTH | DR. | CK. |
|------|-----|-----------------|------|-----|-----|
| | | | | | |
| | | | | | |
| | | | | | |
| | | | | | |
| | | | | | |



NOTES:

MATERIAL:

1. BASE PLATE: 0.40±0.05 mm CRS, TIN PLATED 80U'-120U'.
2. ROHS COMPLIANT

| | | | |
|--------------------------------|---|--------------------------|------------------|
| Tolerance (Except as noted) |  Memory Protection Devices, Inc 200 Broad Hollow Road, Farmingdale, New York 11735 | | |
| decimal ±.5 (.020) | | Scale | Drawn By B.S. |
| | | | Approved By T.B. |
| Fractional ± .8 (.030) | Title POSITIVE CONTACT, "AA", "AAA", "N" AND 12V BATTERY | | |
| Angular ± 3° | Date 3/06/09 | Drawing Number BK-595 | |