

FO contacts crimp contact for wire gauge

Part No. VN 01 016 0040 8X

Series Contacts

Subseries Contact FO contacts



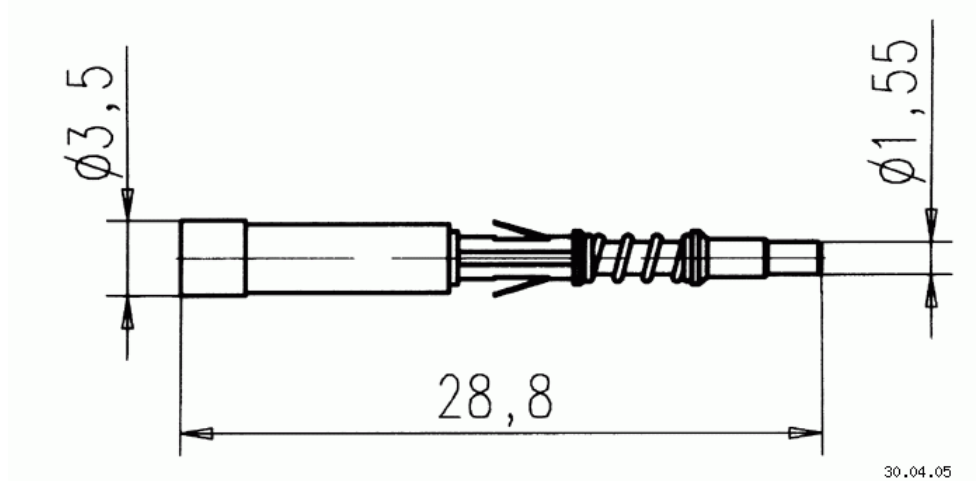
COMMON CHARACTERISTICS		
Wire gauge from		0,14
Wire gauge to		2,5
Wire gauge (AWG) from		26
Wire gauge (AWG) to		14
Packaging / supplied as		Single contact
No. of pieces		10
Sex of Contact		Pin
Type of contact		Fiber Optic
ELECTRICAL CHARACTERISTICS		
Contact resistance	DIN EN 60512-2-1, Test 2a / IEC 60512-2-1, Test 2a	0 m

FO contacts crimp contact for wire gauge

Part No. VN 01 016 0040 8X

Series Contacts

Subseries Contact FO contacts



Drawing Dimensions in mm (Inch)

30.04.05