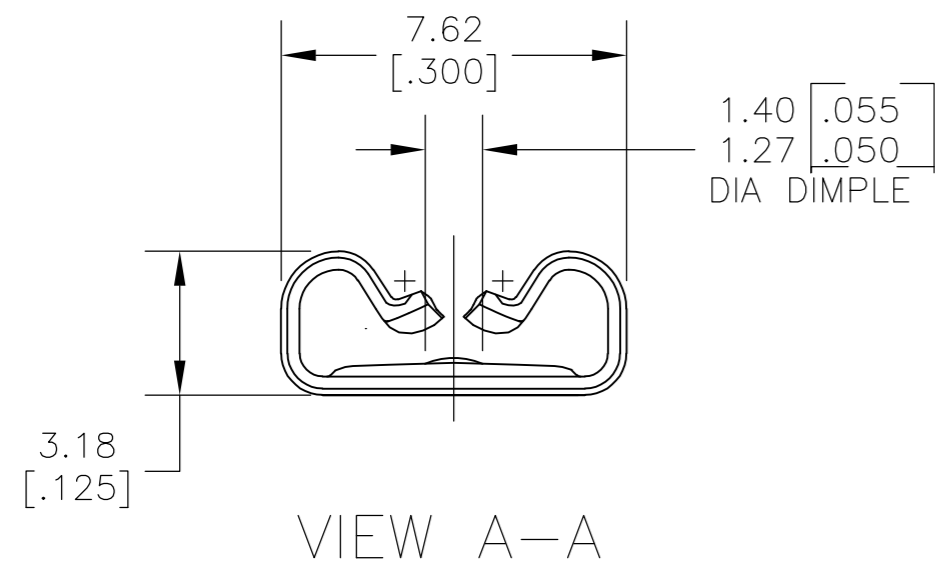
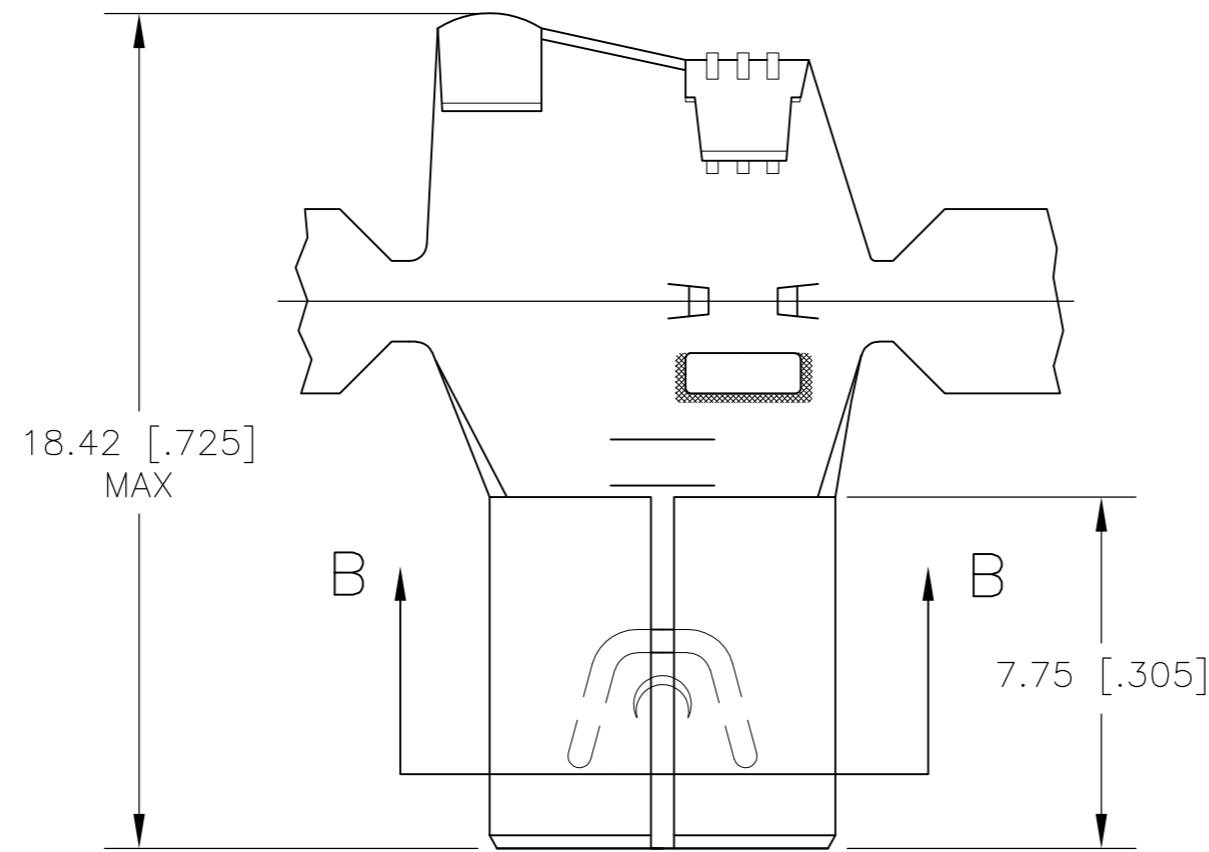


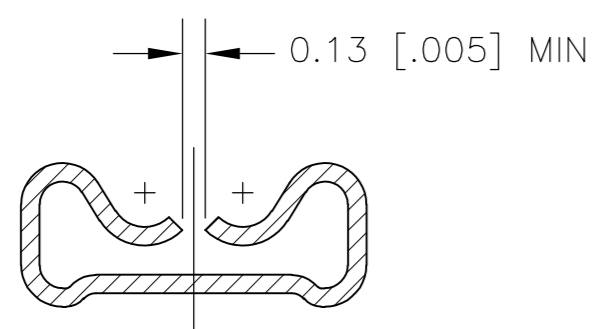
THIS DRAWING IS UNPUBLISHED. RELEASED FOR PUBLICATION
 © COPYRIGHT - By - ALL RIGHTS RESERVED.

LOC	DIST	REVISIONS					
		P	LTR	DESCRIPTION	DATE	DWN	APVD
AF	50	A2		REL PER ECO-13-009003	29MAY13	JR	PD

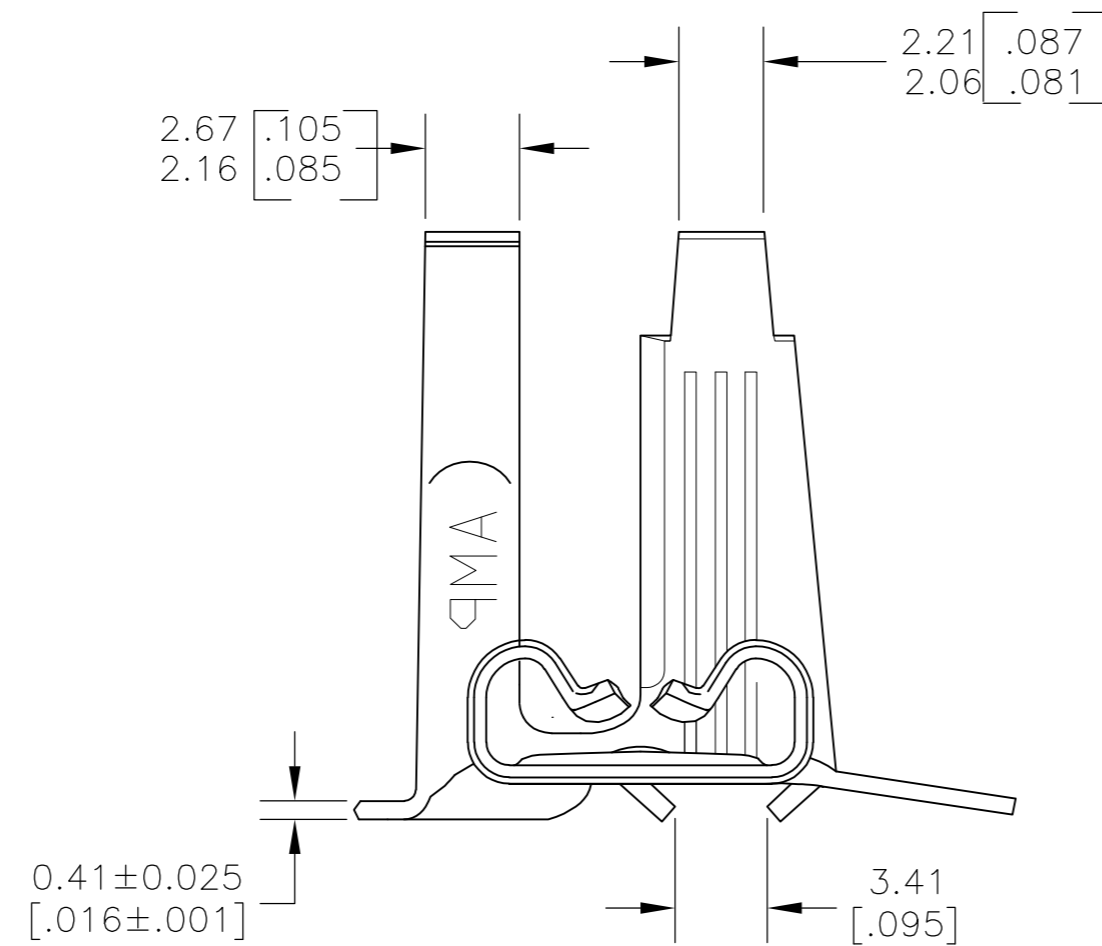
- 1 CONTINUOUS STRIP ON REELS
- 2 ACCEPTS WIRE SIZE COMBINATIONS OF TWO #14'S, OR TWO #16'S OR ONE #14 WITH ONE #16.
- 3 INSULATION RANGE IS TWO AT 3.56 [.140] MAX DIA
- 4 MATING TAB THK IS 0.81±0.025 [.032±.001]
- 5 0.00381 [.000150] MIN NICKEL PLATE



VIEW A-A



SECTION B-B



1742626-1
 PART NO

THIS DRAWING IS A CONTROLLED DOCUMENT.		DWN jr ruth 24JUL07																				
DIMENSIONS: MM [INCHES]		CHK P DESANTIS 24JUL07																				
TOLERANCES UNLESS OTHERWISE SPECIFIED:		APVD P DESANTIS 24JUL07	NAME RECEPTACLE, FASTON, FLAG, 6.35 [.250] SERIES																			
<table border="0"> <tr><td>0 PLC</td><td>±</td><td>-</td></tr> <tr><td>1 PLC</td><td>±</td><td>-</td></tr> <tr><td>2 PLC</td><td>±</td><td>0.25 [.010]</td></tr> <tr><td>3 PLC</td><td>±</td><td>-</td></tr> <tr><td>4 PLC</td><td>±</td><td>-</td></tr> <tr><td>ANGLES</td><td>±</td><td>5°</td></tr> </table>		0 PLC	±	-	1 PLC	±	-	2 PLC	±	0.25 [.010]	3 PLC	±	-	4 PLC	±	-	ANGLES	±	5°	PRODUCT SPEC -	SIZE A2	CAGE CODE 00779
0 PLC	±	-																				
1 PLC	±	-																				
2 PLC	±	0.25 [.010]																				
3 PLC	±	-																				
4 PLC	±	-																				
ANGLES	±	5°																				
MATERIAL CR STEEL		FINISH -- 5	APPLICATION SPEC -	DRAWING NO 1742626																		
		WEIGHT -	RESTRICTED TO -	SCALE 6:1																		
		CUSTOMER DRAWING	SHEET 1 of 1	REV A2																		