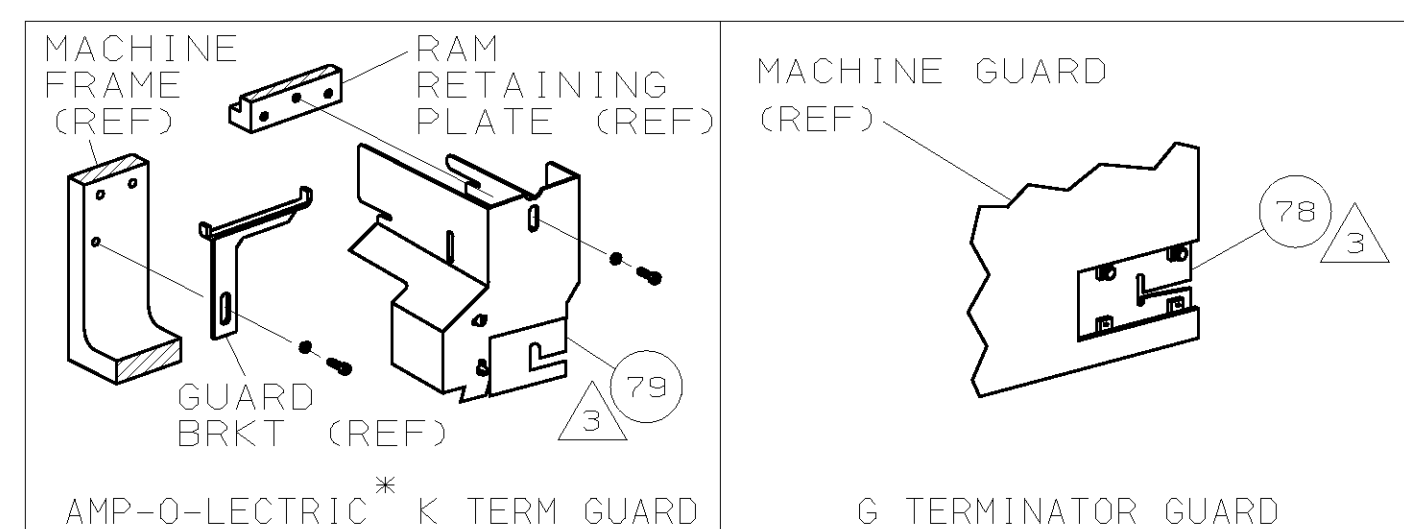


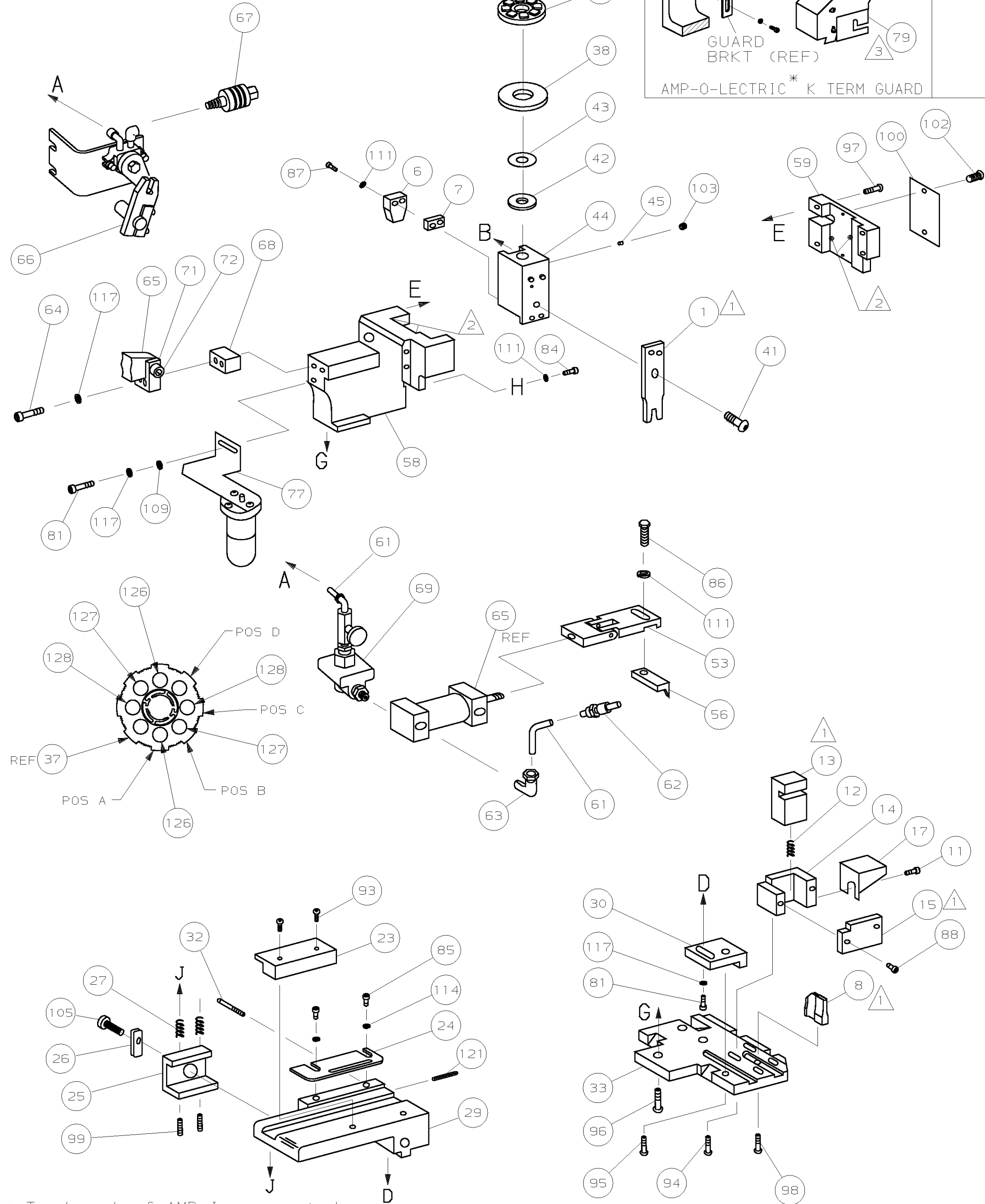
PART NUMBER	REV	FIRST USED
567466-1	G	854400-1
567466-2	G	565435-5
567466-3	G	354500-1

PRELIMINARY



TERMINAL NAME:		CRIMPING DATA			
AMPLIVAR CLIP		63637			
PAD LTR	CRIMP HEIGHT	WIRE SIZE			
A	.058 ±.002	18			
B	.053 ±.002	20			
C	.050 ±.002	22			
D	NOT	USED			
CRIMP	SIZE	TYPE	RANGE		
WIRE	.090	F	22-18 MAGNET		
INSUL	-	-	-		
FEED	1.100	APPL INST	SET UP GAGE	LAYOUT	
			458637-1	L1465	
TERM APPL SPEC	-	WIRE STRIP LENGTH	-		

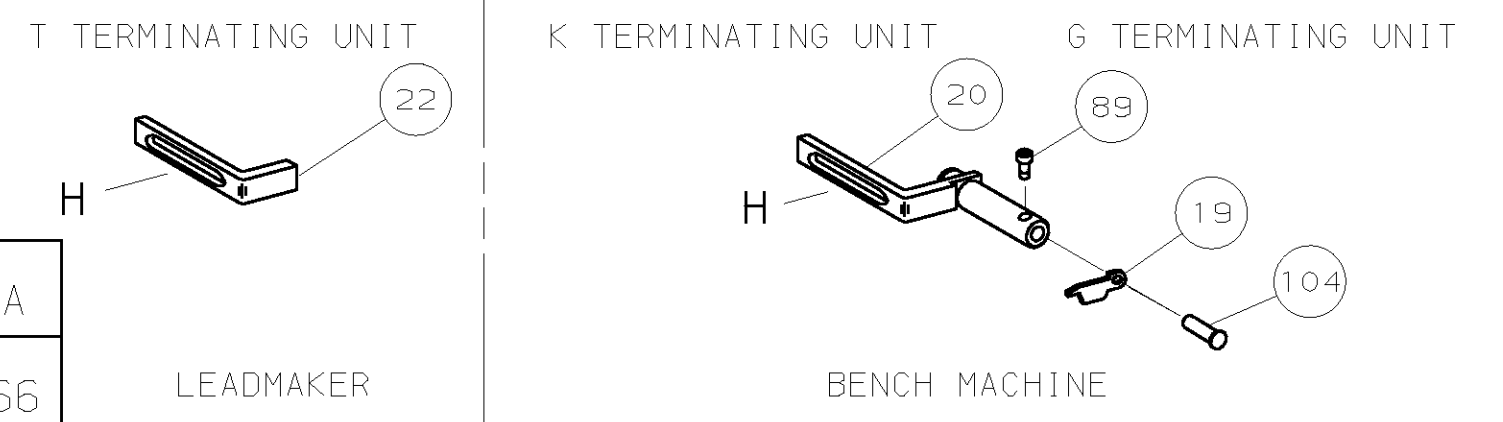
QTY	RECD PER ASSY	REVISION	U/M	DWG SIZE	PART NO	DESCRIPTION	ITEM NO
-1					LEADMAKER	AIRFEED	
-2					BENCH MODEL K	AIRFEED	
-3					BENCH MODEL G	AIRFEED	



QTY	RECD PER ASSY	REVISION	U/M	DWG SIZE	PART NO	DESCRIPTION	ITEM NO
2	2	2	-	C	2-354779-2	PIN, WIRE DISC (.3100)C	129
2	2	2	-	C	1-354779-6	PIN, WIRE DISC (.3070)B	127
2	2	2	-	C	354779-6	PIN, WIRE DISC (.3020)A	126
1	1	1	-	A	986950-1	WASHER, FLAT PRECISION	125
							124
							123
							122
1	1	1	-	A	4-21028-0	PIN, SLT SPR(φ.093x.75)ST 60E PL	121
							120
							119
							118
4	4	3	-	A	21024-5	WASHER, LOCK (#10)ADJ BLOCK	117
							116
							115
2	2	2	-	A	21024-2	WASHER, LOCK (#4)FRONT STP GUIDE	114
							113
							112
4	4	4	-	A	21024-4	WASHER, LOCK (#8) STRIPPER	111
							110
1	1	REF	-	A	21899-2	WASHER, FLAT (NO. 10) LUB ASSY	109
							108
							107
							106
1	1	1	-	A	22353-8	SCR, SHLD (φ.187x.25) DRAG LEVER	105
1	1	-	-	A	992031-1	PIN, CLEVIS	104
1	1	1	-	A	21009-2	SCR, SKT 5ET (1/4-20x.25 LW) RAM	103
2	2	2	-	A	21017-2	SCR, DRIVE (#2x.19) ID PLATE	102
							101
1	1	1	-	B	461264-1	PLATE, IDENTIFICATION	100
2	2	2	-	A	5-21006-6	SCR, SET (10-32x.75) DRAG	99
1	1	1	-	A	22733-8	SCR, BHC (8-32x.38 LW) ANVIL	98
4	4	4	-	A	2-21002-9	SCR, BHC (10-32x.75) CAP	97
3	3	3	-	A	2-22733-8	SCR, BHC (1/4-20x.62) H5G	96
1	1	1	-	A	2-21002-7	SCR, BHC (10-32x.50) 56 ADJ BLK	95
2	2	2	-	A	2-21002-2	SCR, BHC (8-32x.50) SHEAR	94
2	2	2	-	A	1-21002-5	SCR, BHC (4-40x.50) R STRIP GUIDE	93
							92
							91
							90
1	1	-	-	A	7-21000-9	SCR, SHC (4-40x.19) STRIPPER	89
2	2	2	-	A	1-21002-3	SCR, SHC (6-32x.25) R SHEAR PLATE	88
2	2	2	-	A	3-21000-0	SCR, SHC (8-32x.88) DEP-HOLD	87
1	1	1	-	A	2-22603-1	SCR, HEX HD (8-32x.38) FEED FINGER	86
2	2	2	-	A	1-21000-3	SCR, SHC (4-40x.25) F ST GUIDE	85
1	1	1	-	A	2-21000-7	SCR, SHC (8-32x.50) STRIPPER	84
							83
							82
2	2	1	-	A	3-21000-4	SCR, SHC (10-32x.38) 56 ADJ BL	81
							80
-	1	-	-	B	462992-7	GUARD ASSY	79
REF	-	-	-	B	679532-1	INSERT, GUARD	78
1	1	REF	-	C	1-465184-0	LUBRICATOR ASSY	77
							76
							75
							74
							73
1	1	1	-	A	4-21002-8	SCR, BHC (3/8x1.00) FEED MT	72
1	1	1	-	B	459610-3	MOUNT, FEED BRACKET	71
-3	-2	-1	U/M	DWG SIZE	PART NO	DESCRIPTION	ITEM NO

QTY	RECD PER ASSY	REVISION	U/M	DWG SIZE	PART NO	DESCRIPTION	ITEM NO
1	1	1	-	C	692655-5	AIR FEED VALVE ASSY	70
1	1	1	-	A	461690-1	SPACER, AIR FEED	69
-	REF	-	-	A	24042-2	VALVE, SHUT OFF	67
-	REF	-	-	C	692655-6	AIR FEED VALVE ASSY	66
1	1	1	-	B	461065-2	AIR FEED ASSEMBLY	65
2	2	2	-	A	4-21000-3	SCR, SHC (10-32x2.00) AIR ASSY	64
1	-	1	-	A	22294-6	ELBOW, TUBING 1/8 NPT	63
1	-	1	-	A	23238-1	QUICK DISCONNECT	62
21.00	18.00	18.00	IN	A	27319-4	TUBING, POLY-FLO φ.25	61
							60
1	1	1	-	C	454220-1	CAP, RAM	59
1	1	1	-	D	454485-1	HOUSING	58
							57
1	1	1	-	B	694433-9	PAWL, FEED	56
							55
							54
1	1	1	-	B	461062-1	FEED FINGER ASSY	53
							52
							51
							50
							49
							48
							47
							46
1	1	1	-	A	690191-1	PLUG, NYLON	45
1	1	1	-	C	455673-1	RAM	44
1	1	1	-	A	690125-1	WASHER, LAMINATED	43
1	1	1	-	A	690124-1	WASHER, RAM	42
1	1	1	-	A	7-21002-9	BOLT, CRIMPER (5/16x1.00)	41
							40
							39
1	1	1	-	A	690223-2	SPACER, INSULATION DISC	38
1	1	1	-	D	354777-1	WIRE DISC, PLASTIC	37
1	1	1	-	A	22480-5	WASHER, SPRING	36
1	1	1	-	B	690212-1	POST, RAM	35
							34
1	1	1	-	D	455675-7	PLATE, BASE	33
1	1	1	-	A	690432-3	SCREW, ADJUSTMENT	32
							31
1	1	1	-	B	455689-1	BLOCK, STRIP GUIDE ADJ	30
1	1	1	-	C	90646-1	PLATE, STRIP GUIDE	29
							28
2	2	2	-	A	1-22284-0	SPRING, DRAG	27
1	1	1	-	B	240793-1	LEVER, DRAG RELEASE	26
1	1	1	-	B	240792-2	DRAG, TERMINAL	25
1	1	1	-	D	690438-4	GUIDE, STRIP (REAR)	24
1	1	1	-	A	690712-8	GUIDE, STRIP (FRONT)	23
-	-	1	-	B	690472-2	STRIPPER	22
							21
1	1	-	-	A	679218-1	STRIPPER WIRE STOP ASSY	20
1	1	-	-	B	458949-1	STRIPPER	19
							18
1	1	1	-	A	691668-1	GUARD, CHIP (REAR)	17
							16
1	1	1	-	B	469366-4	PLATE, SHEAR (REAR)	15
1	1	1	-	B	467590-1	HOLDER, SHEAR (REAR)	14
1	1	1	-	C	469542-3	SHEAR, FLOAT (REAR)	13
1	1	1	-	A	5-22280-0	SPRING, SHEAR	12
1	1	1	-	B	1-690461-1	STOP, SHEAR	11
							10
							9
1	1	1	-	C	805840-5	ANVIL	8
1	1	1	-	C	7-240641-4	SPACER, DEPRESSOR (REAR)	7
1	1	1	-	A	690468-1	DEPRESSOR, SHEAR (REAR)	6
							5
							4
							3
							2
1	1	1	-	C	463223-5	CRIMPER, WIRE	1
-3	-2	-1	U/M	DWG SIZE	PART NO	DESCRIPTION	ITEM NO

- 1 RECOMMENDED SPARE PARTS.
- 2 GREASE LIGHTLY.
- 3 GUARD MUST BE IN PLACE WHEN OPERATING APPLICATOR IN A BENCH MACHINE.
- 4 SEE DRAWING FOR COMPONENTS



DIMENSIONS IN INCHES. DO NOT SCALE PRINT. TOLERANCES UNLESS OTHERWISE SPECIFIED:		MATERIAL		FINISH	
DR	3/23/94	APP	3/24/94		
R O WILSON		E KOOTIE			
2 PLC DEC ±.25					
3 PLC DEC ±.					
4 PLC DEC ±.					
ANGLES ±.					
SURF TEXTURE: ✓					
REMOVE BURRS, BREAK SHARP EDGES R.015 MAX					
NAME	SIDE FEED HDM APPLICATOR		MACHINE REF MINI APPL		
SCALE	DWG NO 567466		SHEET 1 OF 1 REV G		
CASE CODE 00779	CUSTOMER AND ASSEMBLY DRAWING		RESTRICTED TO		

THIS DRAWING IS A CONTROLLED DOCUMENT.

THIS DRAWING IS UNCLASSIFIED DATE 11/07/2001 BY AMP INCORPORATED. ALL RIGHTS RESERVED.