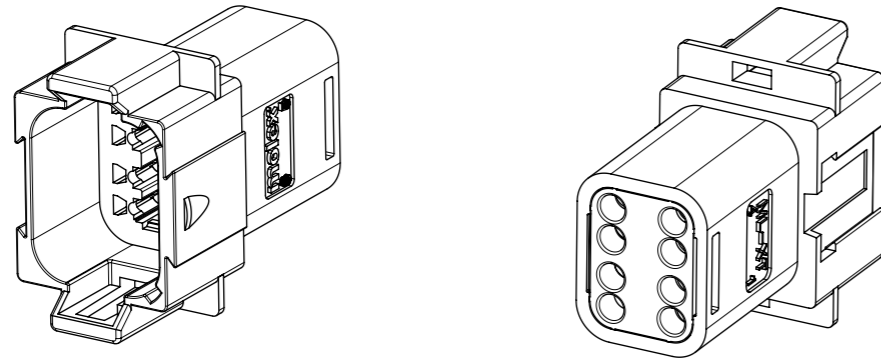


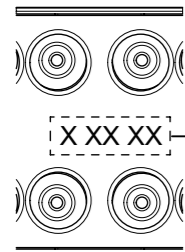
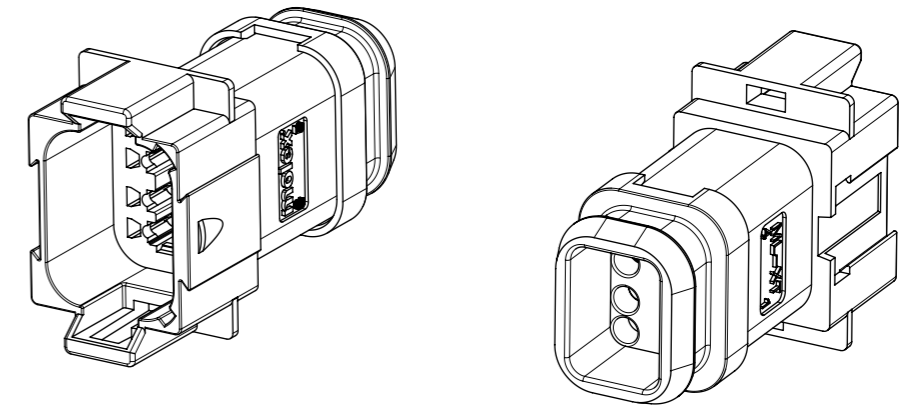
NOTES:
 1. SEE SHEETS 2 - 9 FOR UNSPECIFIED NOTES, DIMENSIONS & PART NUMBERS

THIS DRAWING CONTAINS INFORMATION THAT IS PROPRIETARY TO MOLEX ELECTRONIC TECHNOLOGIES, LLC AND SHOULD NOT BE USED WITHOUT WRITTEN PERMISSION											
QUALITY SYMBOLS ▽A = 0 ▽E = 0 ▽F = 0 ▽ = 0 ▽C = 0 ⊗ = 0 ■ = 0 ▽ = 0	REDRAWN AND REVISED EC NO: 102137 DRWN: JFLETCHER CHK'D: FDUGGAN APPR: JDWALLACE	2016/01/05 2016/01/12 2016/01/14	GENERAL TOLERANCES (UNLESS SPECIFIED)		DIMENSION UNITS	SCALE					
			ANGULAR TOL ± 2.0 °		MM	1.5:1					
			4 PLACES ±		DRWN BY	DATE	8CCT ML-Xt CV CONNECTOR SYSTEM				
			3 PLACES ±		JFLETCHER	2016/01/05					
			2 PLACES ± 0.1		CHK'D BY	DATE	PRODUCT CUSTOMER DRAWING				
			1 PLACE ± 0.2		FDUGGAN	2016/01/12					
			0 PLACES ±		APPR BY	DATE	SERIES: 93443 MATERIAL NUMBER: SEE NOTES CUSTOMER: GENERAL MARKET				
			DRAFT WHERE APPLICABLE MUST REMAIN WITHIN DIMENSIONS		JDWALLACE	2016/01/14					
					DRAWING SIZE	THIRD ANGLE PROJECTION	DOCUMENT NUMBER: 934430050 DOC TYPE: PSD DOC PART: 000 SHEET NUMBER: 1 OF 9				
					A3						

8CCT RECEPTACLE CONNECTOR



8CCT RECEPTACLE CONNECTOR WITH HEATSHRINK HOUSING ULTRASONICALLY WELDED IN PLACE

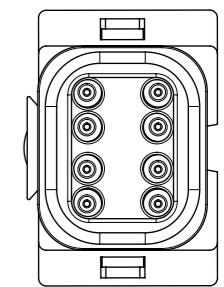
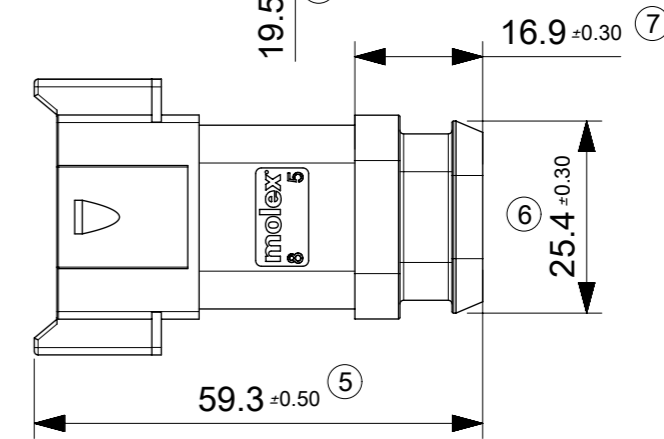
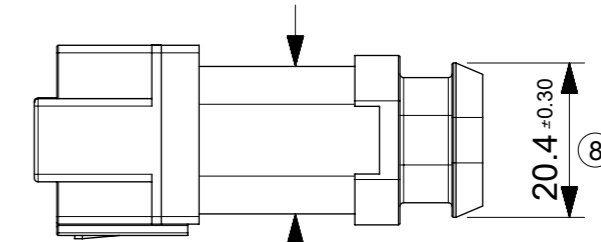
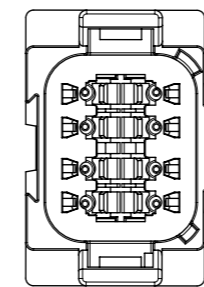
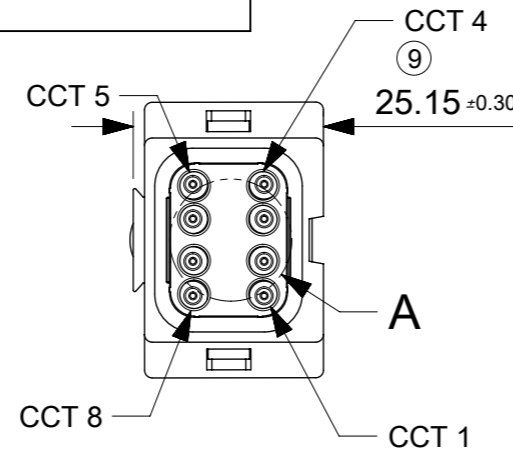
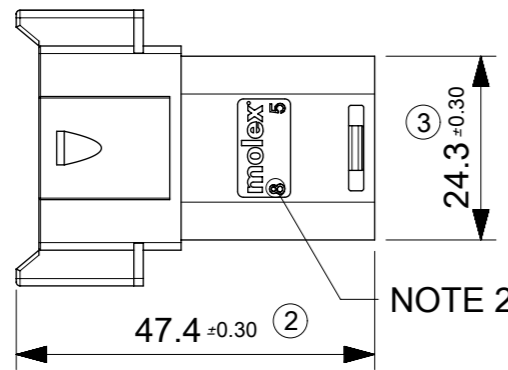
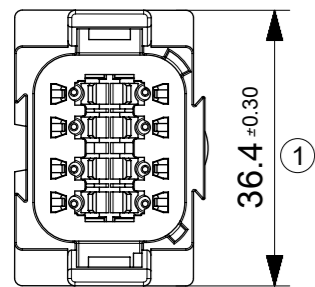


DETAIL A
SCALE 2:1

DATE CODE: X XX XX
X — DAY: 1- 7

X — WEEK: 01 - 52
X — YEAR: 00 - 99

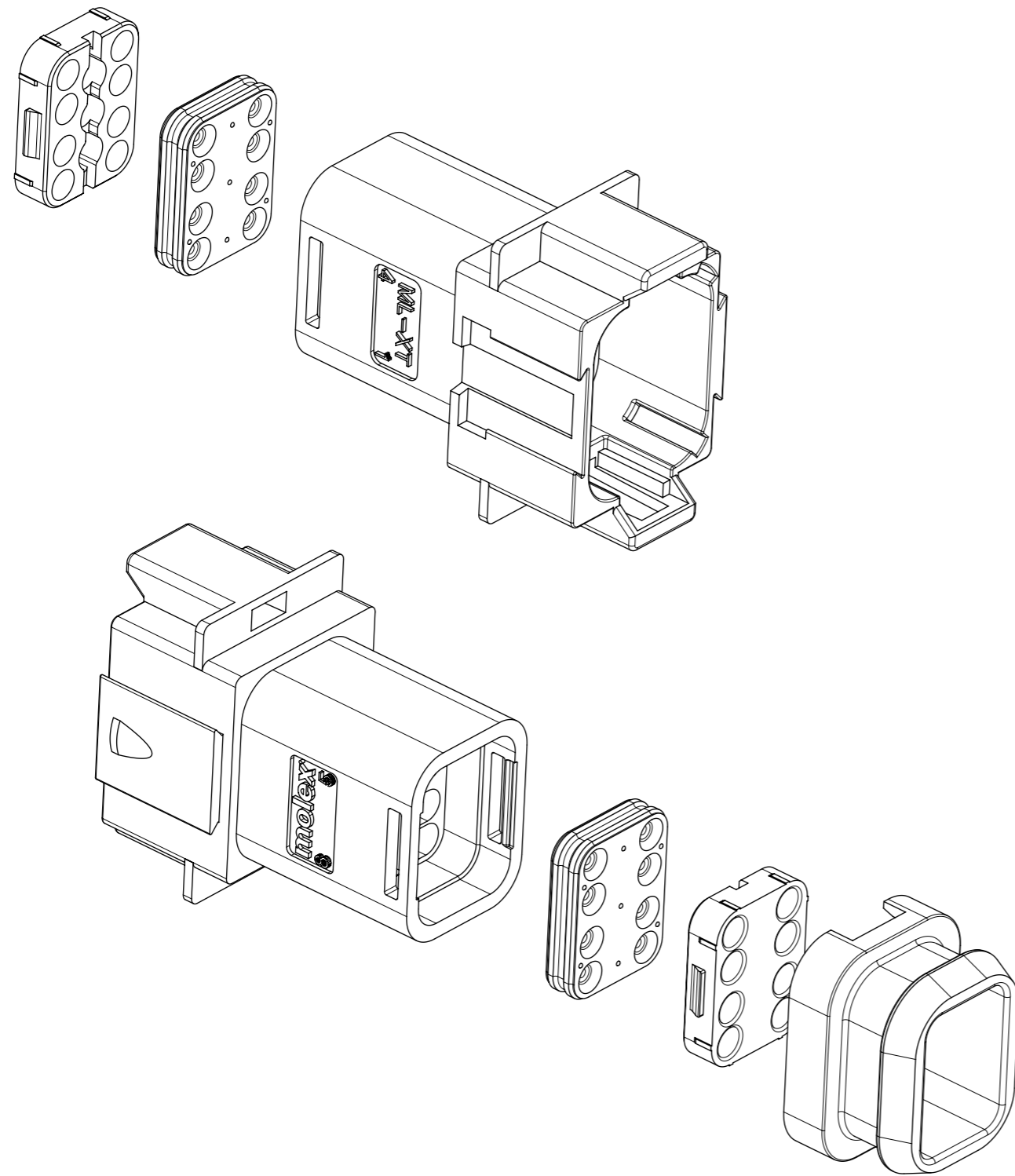
EXAMPLE: 11315 = DAY 1, WEEK 13, YEAR 15
i.e. 23rd OF MARCH 2015



NOTES

- MATERIAL
HOUSING: NYLON 30% GF
BACK SEAL: HIGH CONSISTENCY RUBBER
 - CIRCUIT IDENTIFICATION
 - JACKET RANGE LARGE = Ø2.7MM TO 3.6MM (SEAL COLOUR: LIGHT BLUE)
JACKET RANGE SMALL = Ø1.4MM TO 2.7MM (SEAL COLOUR: BURNT ORANGE)
 - SEE SHEET 3 FOR FINAL PART NUMBER DESIGNATION
 - SEE 934430010 PS P FOR PRODUCT SPECIFICATION
 - SEE 934430002 PS K OR 934430010 PS K FOR PACKAGING SPECIFICATION
- INSPECTION NUMBERS 1-50 RESERVED FOR SHEET 2
LAST INSPECTION NUMBER: 9

THIS DRAWING CONTAINS INFORMATION THAT IS PROPRIETARY TO MOLEX ELECTRONIC TECHNOLOGIES, LLC AND SHOULD NOT BE USED WITHOUT WRITTEN PERMISSION											
QUALITY SYMBOLS		REDRAWN AND REVISED				GENERAL TOLERANCES (UNLESS SPECIFIED)		DIMENSION UNITS		SCALE	
▽A	= 0	2016/01/05	JFLETCHER	2016/01/12	FDUGGAN	ANGULAR TOL ± 2.0 °		MM	1:1		
▽E	= 0	EC NO: 102137	DRWN: JFLETCHER	CHK'D: FDUGGAN	APPR: JDWALLACE	4 PLACES ±	DRWN BY	DATE		8CCT ML-XT CV CONNECTOR SYSTEM	
▽F	= 0					3 PLACES ±	JFLETCHER	2016/01/05		PRODUCT CUSTOMER DRAWING	
▽	= 0					2 PLACES ± 0.1	CHK'D BY	DATE		SERIES	
▽C	= 0					1 PLACE ± 0.2	FDUGGAN	2016/01/12		93443	
▽	= 0					0 PLACES ±	APPR BY	DATE		MATERIAL NUMBER	
⊠	= 0					DRAFT WHERE APPLICABLE MUST REMAIN WITHIN DIMENSIONS	JDWALLACE	2016/01/14		SEE NOTES	
■	= 0						DRAWING SIZE	THIRD ANGLE PROJECTION		CUSTOMER	
▽	= 0						A3			GENERAL MARKET	
										DOCUMENT NUMBER	
										934430050	
										DOC TYPE	
										PSD	
										DOC PART	
										000	
										SHEET NUMBER	
										2 OF 9	



8CCT RECEPTACLE CONNECTOR

SERIES NO.

93444

CIRCUIT SIZE
5 = 8CCT

5

-

-

ASSEMBLY OPTIONS

- 1 = RECEPTACLE ASSEMBLY FOR WIRE JACKET RANGE \varnothing 1.4mm - 2.7mm
- 2 = RECEPTACLE ASSEMBLY FOR WIRE JACKET RANGE \varnothing 2.7mm - 3.6mm
- 5 = RECEPTACLE ASSEMBLY & HEATSHRINK FOR WIRE JACKET RANGE \varnothing 1.4mm - 2.7mm
- 6 = RECEPTACLE ASSEMBLY & HEATSHRINK FOR WIRE JACKET RANGE \varnothing 2.7mm - 3.6mm

KEYING / COLOUR OPTION

- 12 = KEYING OPTION A (GREY)
- 21 = KEYING OPTION B (BLACK)
- 33 = KEYING OPTION C (GREEN)
- 47 = KEYING OPTION D (BROWN)

EXAMPLE:

8CCT RECEPTACLE & HEATSHRINK FOR WIRE JACKET RANGE \varnothing 1.4mm-2.7mm, KEYING OPTION A (GREY): 93444-5512

NOTES

1. SEE SHEET 2 FOR UNSPECIFIED NOTES AND DIMENSIONS
2. BACK COVER COLOUR: BLACK
3. HEATSHRINK HOUSING COLOUR: BLACK

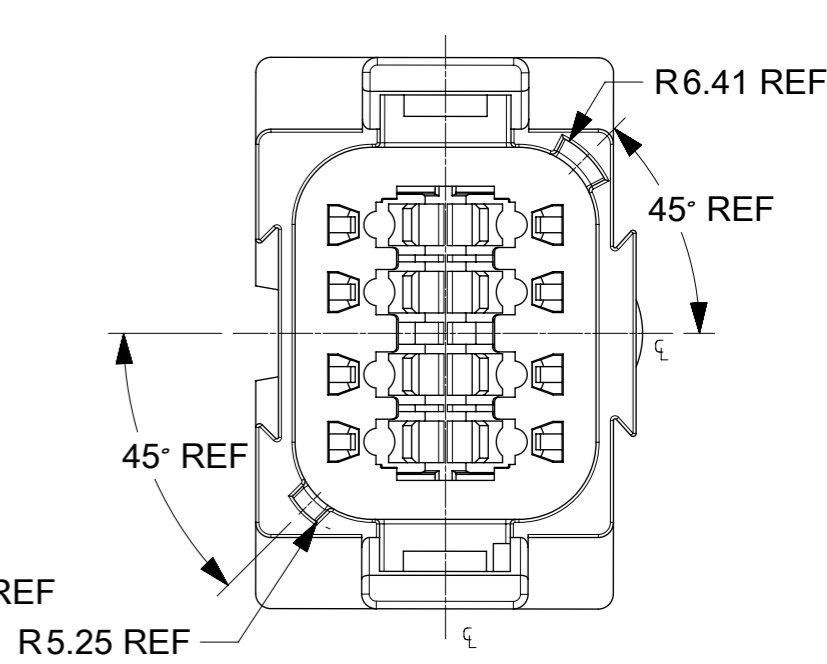
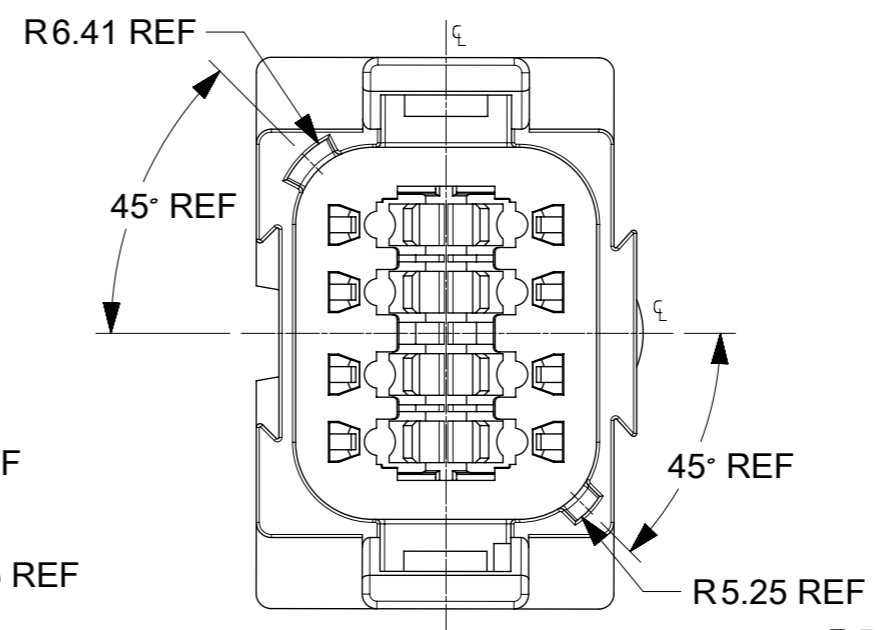
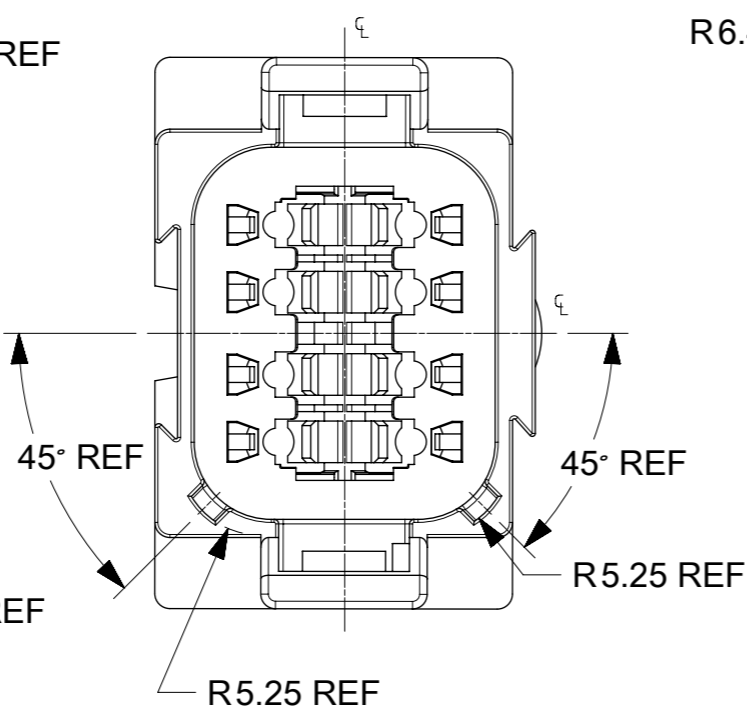
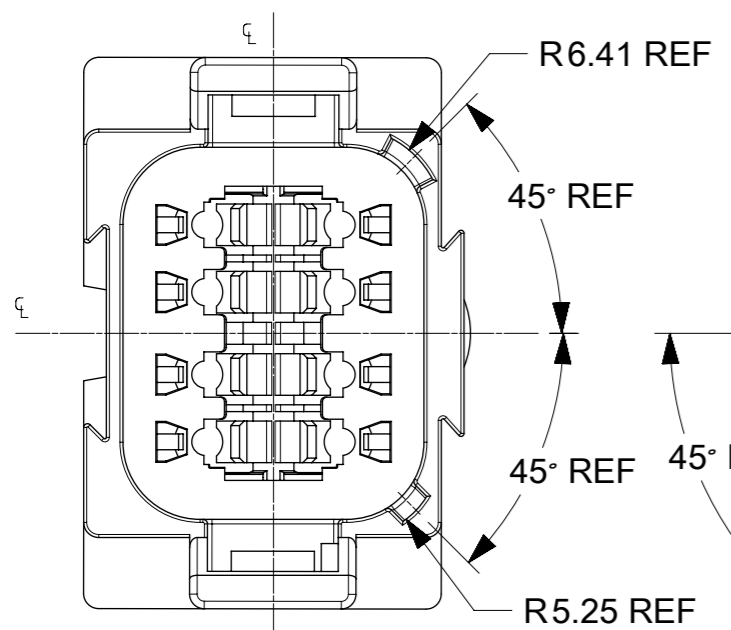
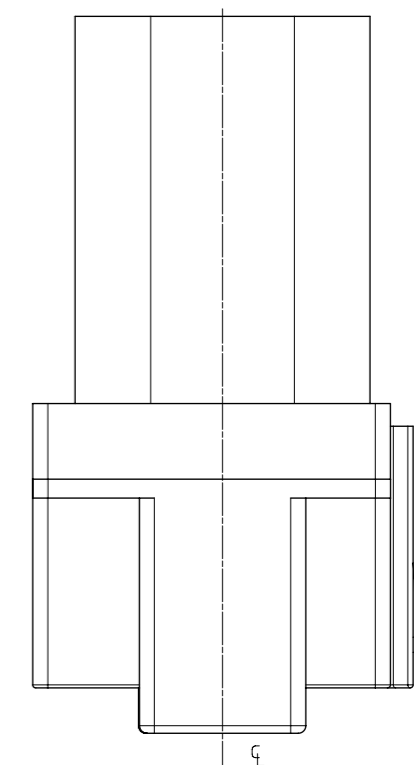
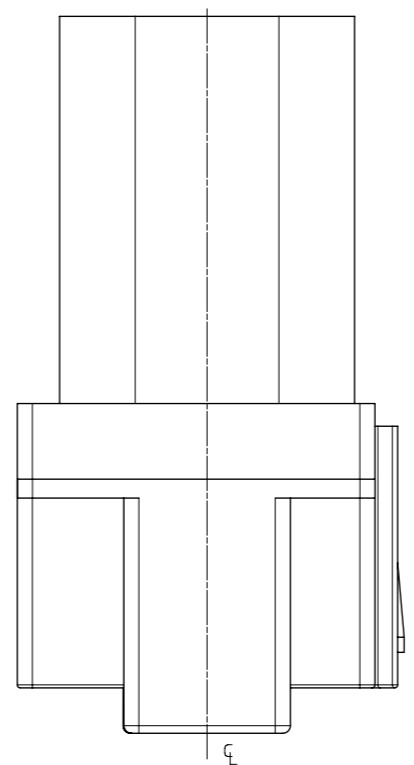
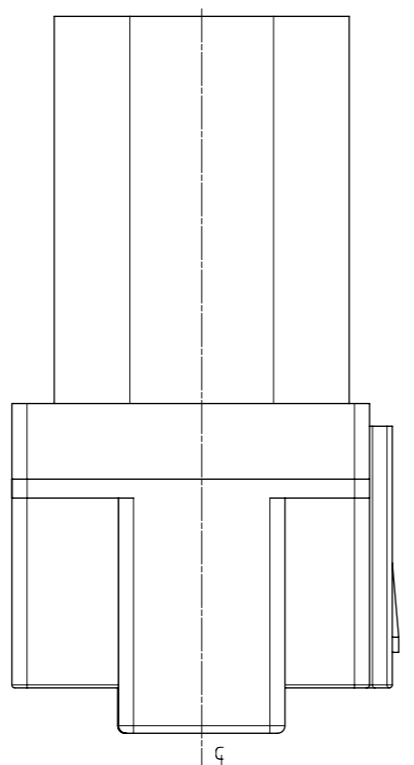
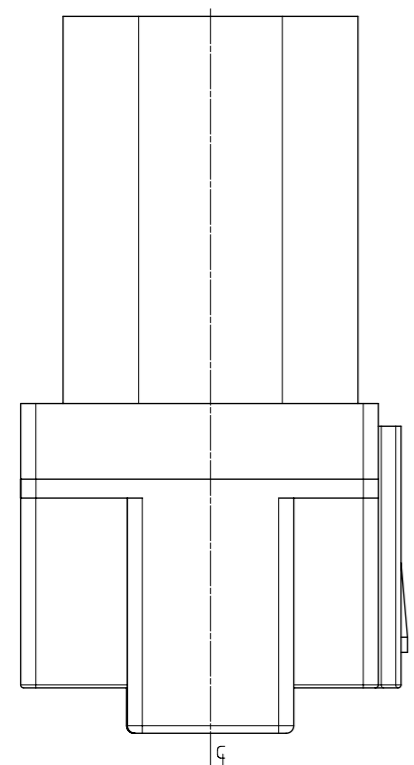
THIS DRAWING CONTAINS INFORMATION THAT IS PROPRIETARY TO MOLEX ELECTRONIC TECHNOLOGIES, LLC AND SHOULD NOT BE USED WITHOUT WRITTEN PERMISSION											
QUALITY SYMBOLS	A = 0 E = 0 EB = 0 ▼ = 0 C = 0 ⊗ = 0 ■ = 0 ▽ = 0	REDRAWN AND REVISED EC NO: 102137 DRWN: JFLETCHER CHK'D: FDUGGAN REV APPR: JDWALLACE	GENERAL TOLERANCES (UNLESS SPECIFIED)		DIMENSION UNITS	SCALE	<p style="text-align: center; margin: 0;">8CCT ML-XT CV CONNECTOR SYSTEM</p> <p style="text-align: center; margin: 0;">PRODUCT CUSTOMER DRAWING</p>				
			ANGULAR TOL ± 2.0 °		MM	1.5:1					
			4 PLACES ±		DRWN BY	DATE	SERIES: 93443 MATERIAL NUMBER: SEE NOTES CUSTOMER: GENERAL MARKET				
			3 PLACES ±		JFLETCHER	2016/01/05					
			2 PLACES ± 0.1		CHK'D BY	DATE	DOCUMENT NUMBER: 934430050 DOC TYPE: PSD DOC PART: 000 SHEET NUMBER: 3 OF 9				
			1 PLACE ± 0.2		FDUGGAN	2016/01/12					
			0 PLACES ±		APPR BY	DATE	DRAWING SIZE: A3 THIRD ANGLE PROJECTION				
			DRAFT WHERE APPLICABLE MUST REMAIN WITHIN DIMENSIONS		JDWALLACE	2016/01/14					

KEYING OPTION A

KEYING OPTION B

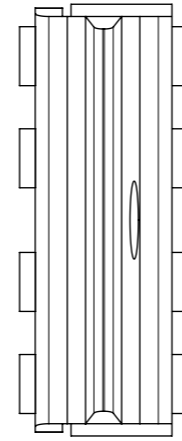
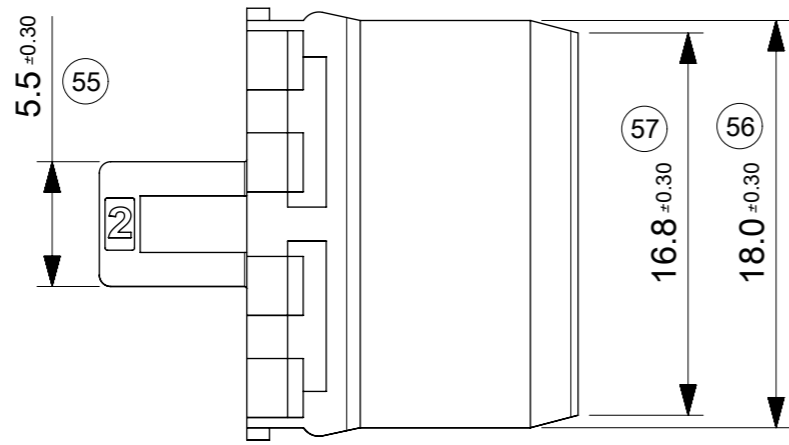
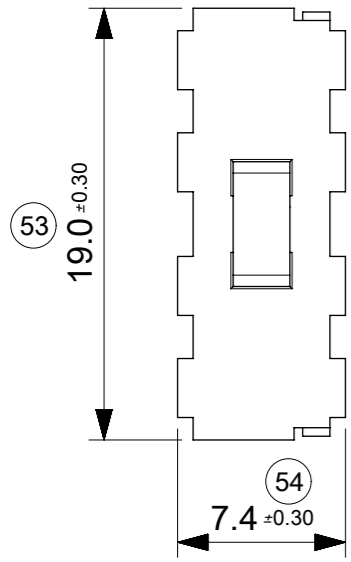
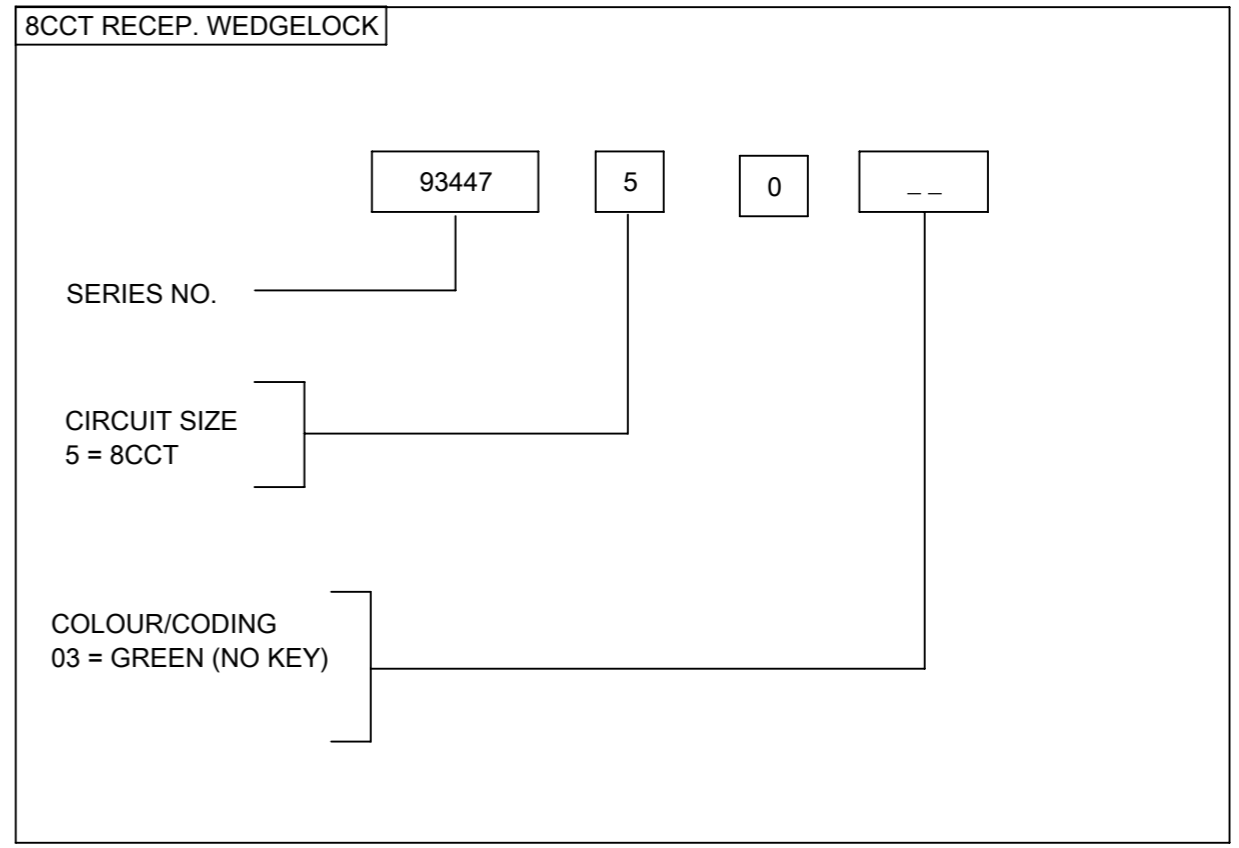
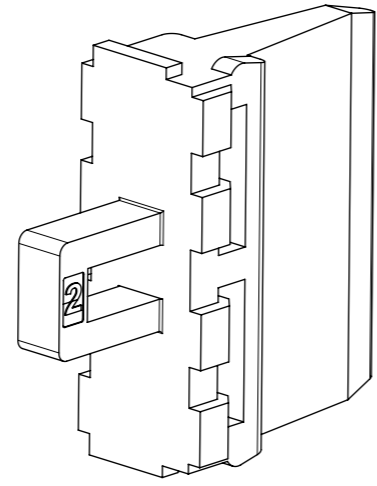
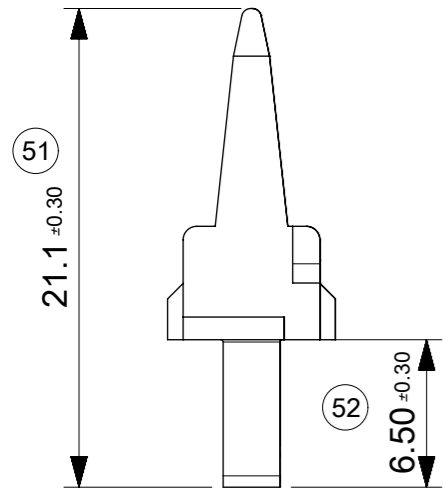
KEYING OPTION C

KEYING OPTION D



NOTES:
1. SEE SHEETS 2 & 3 FOR UNSPECIFIED NOTES & DIMENSIONS

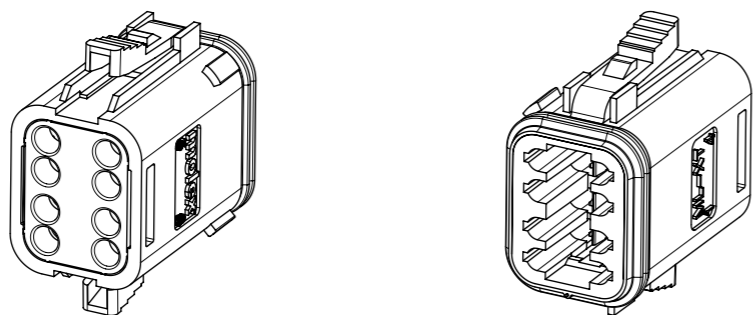
QUALITY SYMBOLS ▽A = 0 ▽E = 0 ▽F = 0 ▽ = 0 ▽C = 0 ⊠ = 0 ■ = 0 ▽ = 0	THIS DRAWING CONTAINS INFORMATION THAT IS PROPRIETARY TO MOLEX ELECTRONIC TECHNOLOGIES, LLC AND SHOULD NOT BE USED WITHOUT WRITTEN PERMISSION										
	REDRAWN AND REVISED EC NO: 102137 DRWN: JFLETCHER CHK'D: FDUGGAN APPR: JDWALLACE	GENERAL TOLERANCES (UNLESS SPECIFIED)		DIMENSION UNITS	SCALE						
		ANGULAR TOL ± 2.0 °		MM	2:1						
		4 PLACES ±	DRWN BY		DATE						
		3 PLACES ±	JFLETCHER		2016/01/05						
		2 PLACES ± 0.1	CHK'D BY		DATE						
	1 PLACE ± 0.2	FDUGGAN		2016/01/12							
	0 PLACES ±	APPR BY		DATE	PRODUCT CUSTOMER DRAWING						
	DRAFT WHERE APPLICABLE MUST REMAIN WITHIN DIMENSIONS		JDWALLACE		2016/01/14	SERIES	MATERIAL NUMBER	CUSTOMER			
			A3		THIRD ANGLE PROJECTION	93443	SEE NOTES	GENERAL MARKET			
					DOCUMENT NUMBER		DOC TYPE	DOC PART	SHEET NUMBER		
					934430050		PSD	000	4 OF 9		



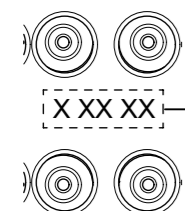
NOTES:
 1. MATERIAL: NYLON, 30% GLASS FILLED
 INSPECTION NUMBERS 51 - 100 USED FOR SHEET 5.
 LAST INSPECTION NUMBER 57

QUALITY SYMBOLS A = 0 E = 0 F = 0 G = 0 H = 0 I = 0 J = 0 K = 0 L = 0 M = 0 N = 0 O = 0 P = 0 Q = 0 R = 0 S = 0 T = 0 U = 0 V = 0 W = 0 X = 0 Y = 0 Z = 0	THIS DRAWING CONTAINS INFORMATION THAT IS PROPRIETARY TO MOLEX ELECTRONIC TECHNOLOGIES, LLC AND SHOULD NOT BE USED WITHOUT WRITTEN PERMISSION											
	REDRAWN AND REVISED EC NO: 102137 DRWN: JFLETCHER CHK'D: FDUGGAN REV APPR: JDWALLACE	GENERAL TOLERANCES (UNLESS SPECIFIED)		DIMENSION UNITS	SCALE							
		ANGULAR TOL ± 2.0 °		MM	3:1							
		4 PLACES ±	DRWN BY		DATE		8CCT ML-XT CV CONNECTOR SYSTEM					
		3 PLACES ±	JFLETCHER		2016/01/05							
		2 PLACES ± 0.1	CHK'D BY		DATE		PRODUCT CUSTOMER DRAWING					
	1 PLACE ± 0.2	FDUGGAN		2016/01/12								
	0 PLACES ±	APPR BY		DATE		SERIES: 93443 MATERIAL NUMBER: SEE NOTES CUSTOMER: GENERAL MARKET						
	DRAFT WHERE APPLICABLE MUST REMAIN WITHIN DIMENSIONS		JDWALLACE		2016/01/14							
			DRAWING SIZE	THIRD ANGLE PROJECTION			DOCUMENT NUMBER		DOC TYPE	DOC PART	SHEET NUMBER	
		A3				934430050		PSD	000	5 OF 9		

8CCT PLUG CONNECTOR



8CCT PLUG CONNECTOR WITH HEATSHRINK HOUSING ULTRASONICALLY WELDED IN PLACE

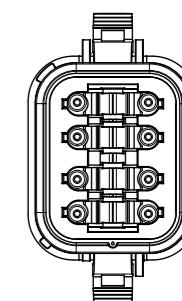
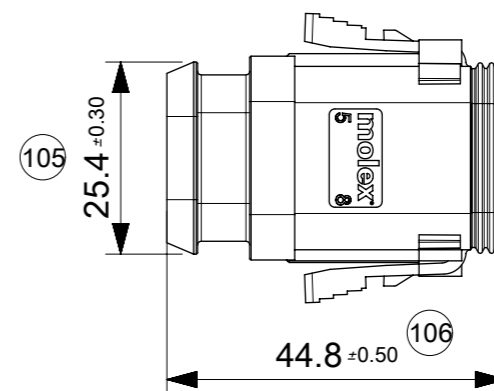
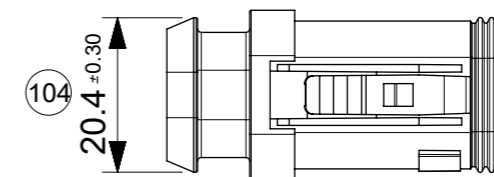
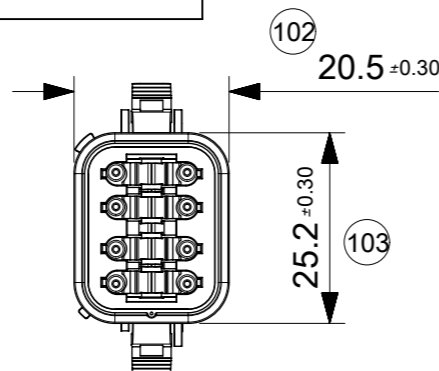
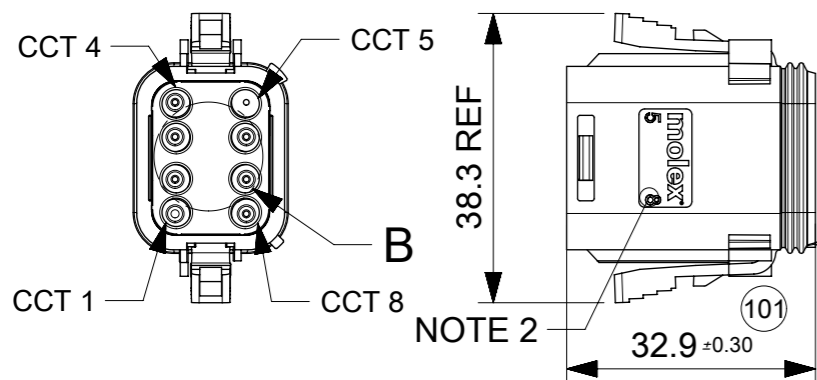


DETAIL B
SCALE 2:1

DATE CODE: X XX XX
X — DAY: 1- 7

X — WEEK: 01 - 52
X — YEAR: 00 - 99

EXAMPLE: 11315 = DAY 1, WEEK 13, YEAR 15
i.e. 23rd OF MARCH 2015



NOTES

- MATERIAL
HOUSING: NYLON 30% GF
PLUG SEAL: SILICONE
BACK SEAL: HIGH CONSISTENCY RUBBER
 - CIRCUIT IDENTIFICATION
 - JACKET RANGE LARGE = \varnothing 2.7MM TO 3.6MM (SEAL COLOUR: LIGHT BLUE)
JACKET RANGE SMALL = \varnothing 1.4MM TO 2.7MM (SEAL COLOUR: BURNT ORANGE)
 - SEE SHEET 3 FOR FINAL PART NUMBER DESIGNATION
 - SEE 934430010 PS P FOR PRODUCT SPECIFICATION
 - SEE 934430002 PS K OR 934430010 PS K FOR PACKAGING SPECIFICATION
- INSPECTION NUMBERS 101-150 RESERVED FOR SHEET 6
LAST INSPECTION NUMBER: 106

QUALITY SYMBOLS		THIS DRAWING CONTAINS INFORMATION THAT IS PROPRIETARY TO MOLEX ELECTRONIC TECHNOLOGIES, LLC AND SHOULD NOT BE USED WITHOUT WRITTEN PERMISSION												
▽A	= 0	REDRAWN AND REVISED EC NO: 102137 DRWN: JFLETCHER CHK'D: FDUGGAN APPR: JDWALLACE	GENERAL TOLERANCES (UNLESS SPECIFIED)		DIMENSION UNITS		SCALE							
▽E	= 0		ANGULAR TOL ± 2.0 °		MM		1:1							
▽F	= 0		4 PLACES ±		DRWN BY		DATE					8CCT ML-XT CV CONNECTOR SYSTEM		
▽	= 0		3 PLACES ±		JFLETCHER		2016/01/05							
▽C	= 0		2 PLACES ± 0.1		CHK'D BY		DATE		PRODUCT CUSTOMER DRAWING					
▽	= 0		1 PLACE ± 0.2		FDUGGAN		2016/01/12							
⊠	= 0		0 PLACES ±		APPR BY		DATE		SERIES: 93443 MATERIAL NUMBER: SEE NOTES CUSTOMER: GENERAL MARKET					
■	= 0		DRAFT WHERE APPLICABLE MUST REMAIN WITHIN DIMENSIONS		JDWALLACE		2016/01/14							
▽	= 0		A		DRAWING SIZE		THIRD ANGLE PROJECTION		DOCUMENT NUMBER: 934430050 DOC TYPE: PSD DOC PART: 000 SHEET NUMBER: 6 OF 9					
			A3											

8CCT PLUG CONNECTOR

SERIES NO.

93445

CIRCUIT SIZE
5 = 8CCT

ASSEMBLY OPTIONS

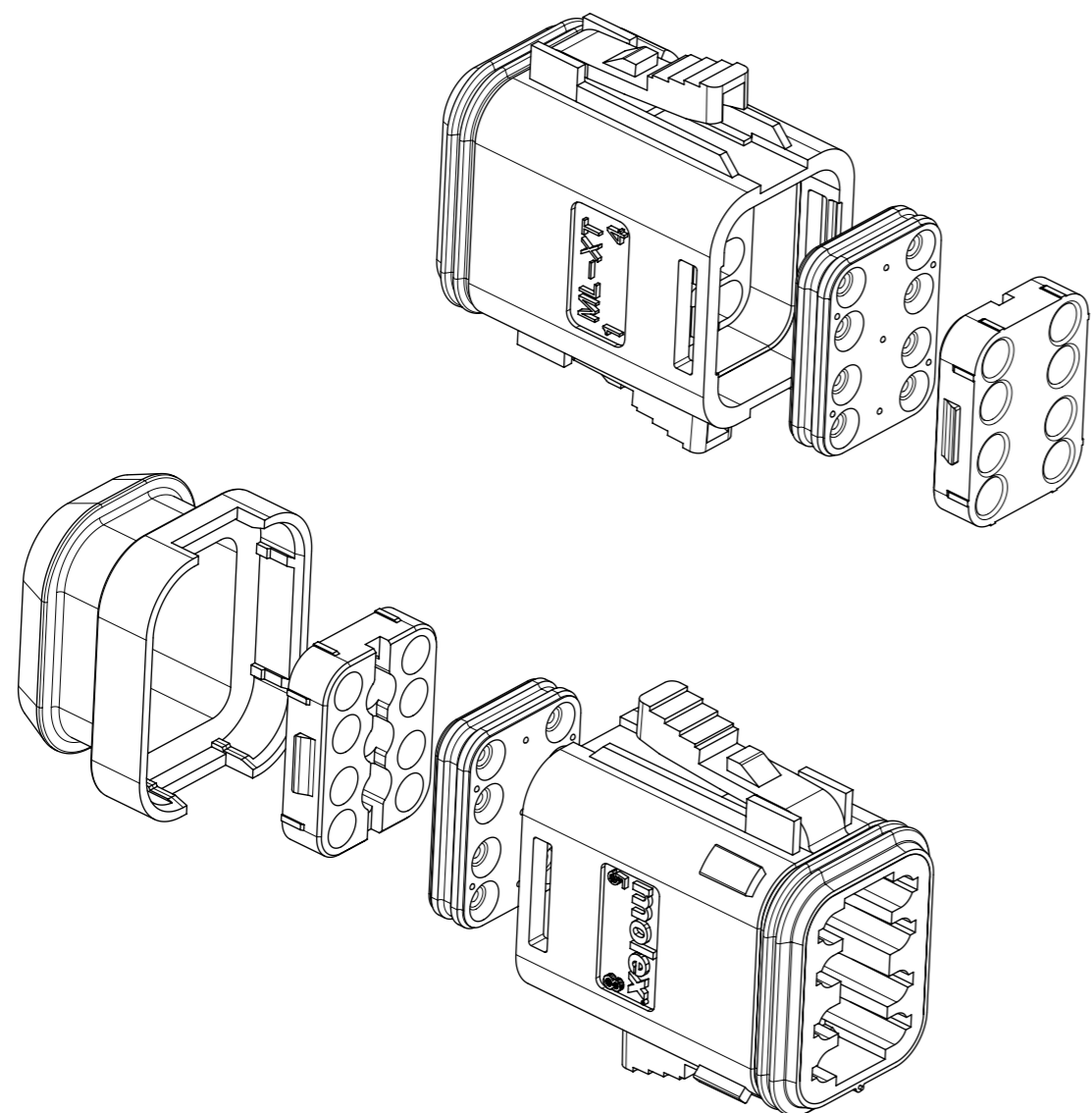
- 1 = PLUG ASSEMBLY FOR WIRE JACKET RANGE \varnothing 1.4mm - 2.7mm
- 2 = PLUG ASSEMBLY FOR WIRE JACKET RANGE \varnothing 2.7mm - 3.6mm
- 5 = PLUG ASSEMBLY & HEATSHRINK FOR WIRE JACKET RANGE \varnothing 1.4mm - 2.7mm
- 6 = PLUG ASSEMBLY & HEATSHRINK FOR WIRE JACKET RANGE \varnothing 2.7mm - 3.6mm

KEYING / COLOUR OPTION

- 12 = KEYING OPTION A (GREY)
- 21 = KEYING OPTION B (BLACK)
- 33 = KEYING OPTION C (GREEN)
- 47 = KEYING OPTION D (BROWN)

EXAMPLE:

8CCT PLUG & HEATSHRINK FOR WIRE JACKET RANGE \varnothing 1.4mm-2.7mm, KEYING OPTION A (GREY): 93445-5512



NOTES

1. SEE SHEET 6 FOR UNSPECIFIED NOTES AND DIMENSIONS
2. BACK COVER COLOUR: BLACK
3. HEATSHRINK HOUSING COLOUR: BLACK

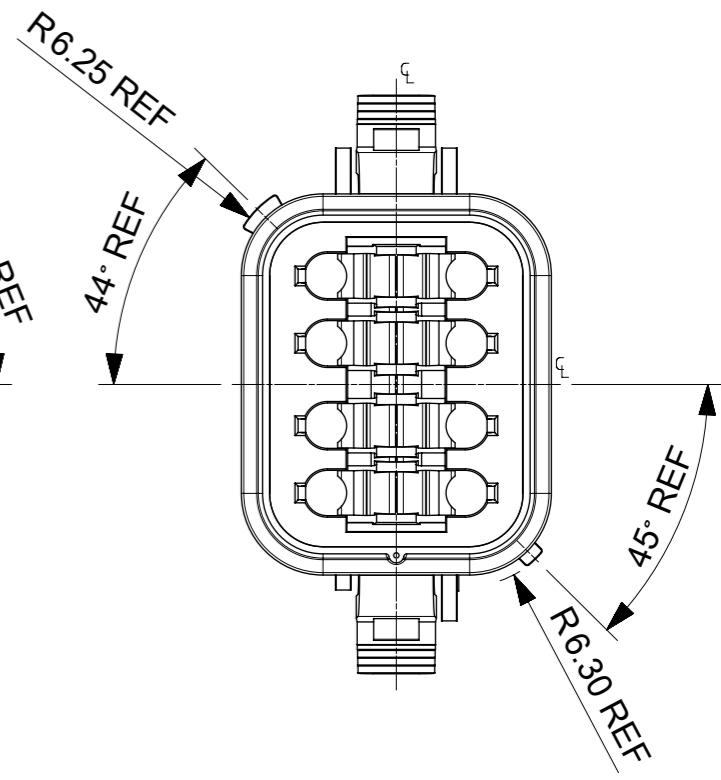
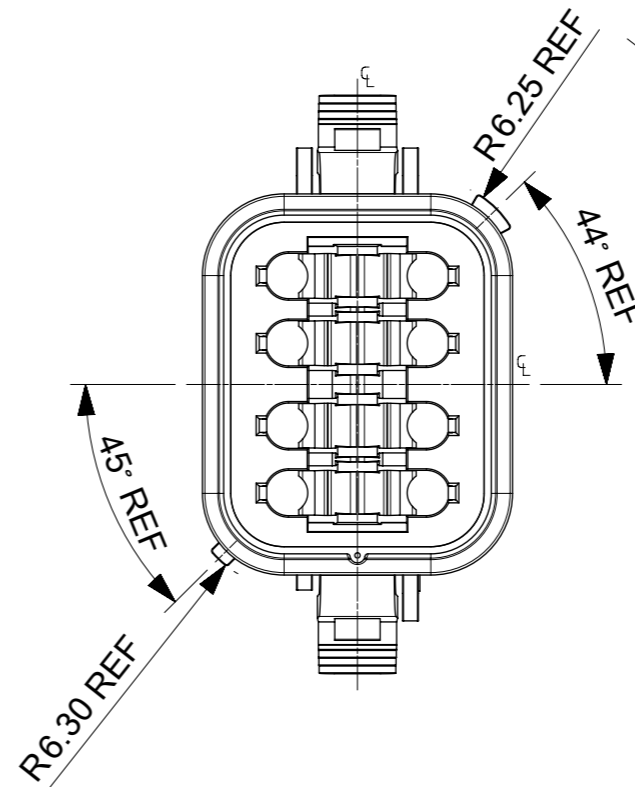
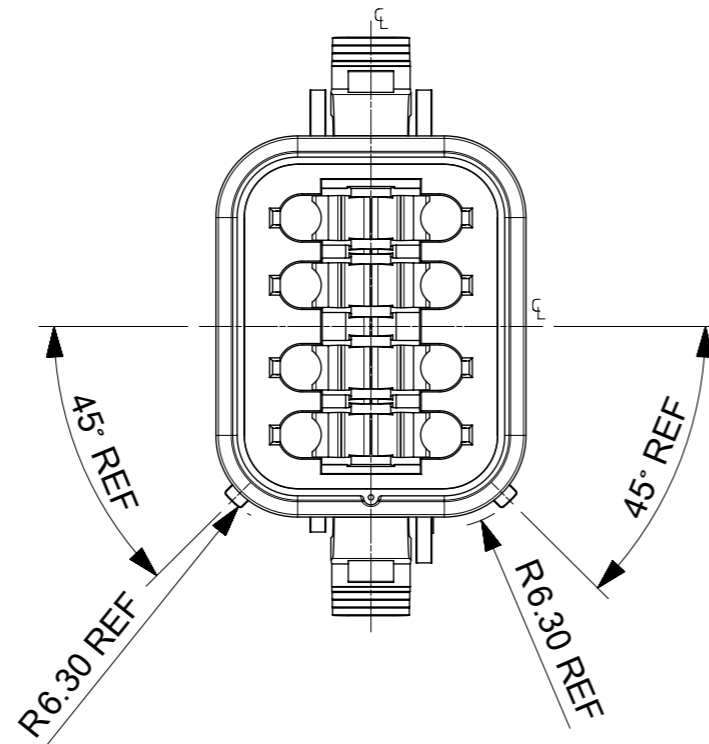
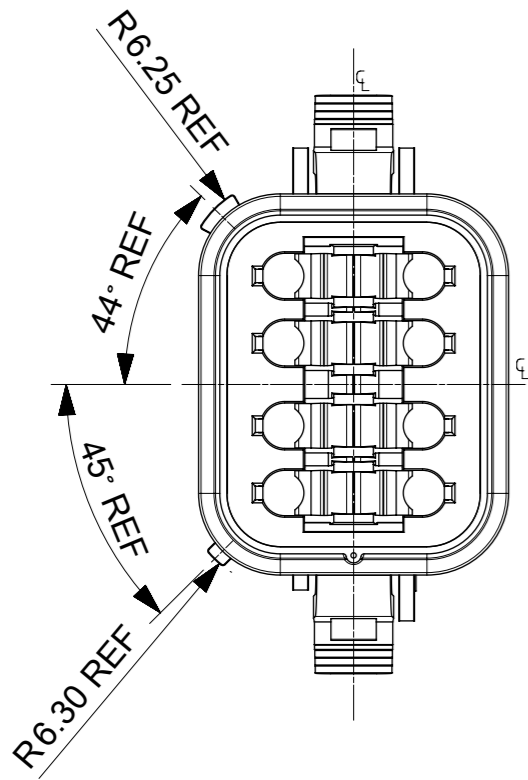
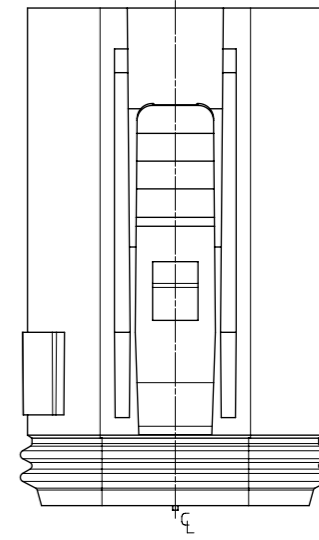
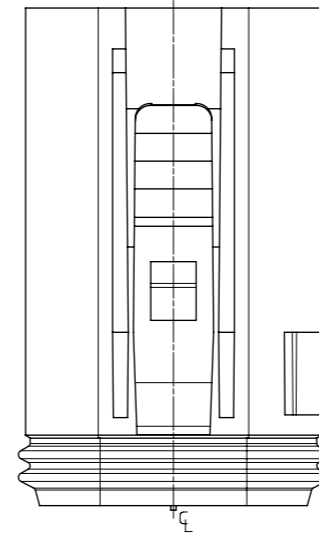
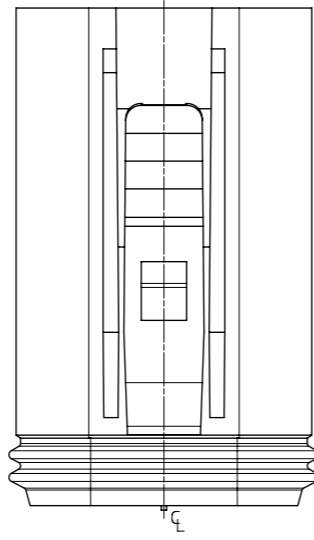
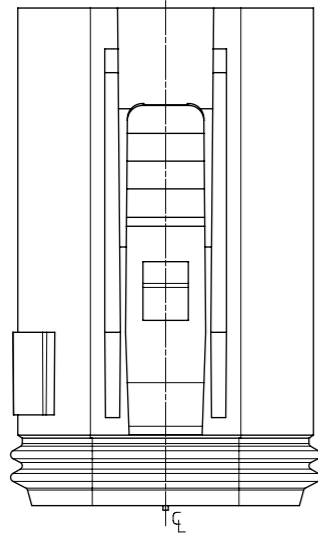
<p>QUALITY SYMBOLS</p> <p>▽A = 0</p> <p>▽E = 0</p> <p>▽F = 0</p> <p>▽ = 0</p> <p>▽C = 0</p> <p>⊗ = 0</p> <p>■ = 0</p> <p>▽ = 0</p>	THIS DRAWING CONTAINS INFORMATION THAT IS PROPRIETARY TO MOLEX ELECTRONIC TECHNOLOGIES, LLC AND SHOULD NOT BE USED WITHOUT WRITTEN PERMISSION																		
	<p>REDRAWN AND REVISED</p> <p>EC NO: 102137</p> <p>DRWN: JFLETCHER</p> <p>CHK'D: FDUGGAN</p> <p>REV APPR: JDWALLACE</p>	2016/01/05		2016/01/12		2016/01/14		GENERAL TOLERANCES (UNLESS SPECIFIED)		DIMENSION UNITS		SCALE							
		ANGULAR TOL ± 2.0 °						MM		1.5:1		<p>8CCT ML-XT CV CONNECTOR SYSTEM</p>							
		4 PLACES ±		3 PLACES ±		2 PLACES ± 0.1		1 PLACE ± 0.2		0 PLACES ±				DRWN BY		DATE			
		3 PLACES ±		2 PLACES ± 0.1		1 PLACE ± 0.2		0 PLACES ±		JFLETCHER				2016/01/05		CHK'D BY		DATE	
		2 PLACES ± 0.1		1 PLACE ± 0.2		0 PLACES ±		DRAFT WHERE APPLICABLE MUST REMAIN WITHIN DIMENSIONS		FDUGGAN				2016/01/12		APPR BY		DATE	
	1 PLACE ± 0.2		0 PLACES ±		DRAFT WHERE APPLICABLE MUST REMAIN WITHIN DIMENSIONS		A3		JDWALLACE		2016/01/14			DRAWING SIZE		THIRD ANGLE PROJECTION			
	0 PLACES ±		DRAFT WHERE APPLICABLE MUST REMAIN WITHIN DIMENSIONS		A3		A3		A3		A3		A3		A3				
	DRAFT WHERE APPLICABLE MUST REMAIN WITHIN DIMENSIONS		A3		A3		A3		A3		A3		A3		A3				
	A3		A3		A3		A3		A3		A3		A3		A3				
A3		A3		A3		A3		A3		A3		A3		A3					

KEYING OPTION A

KEYING OPTION B

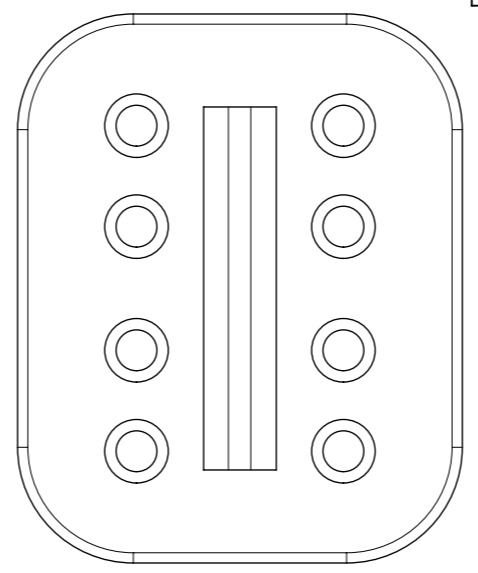
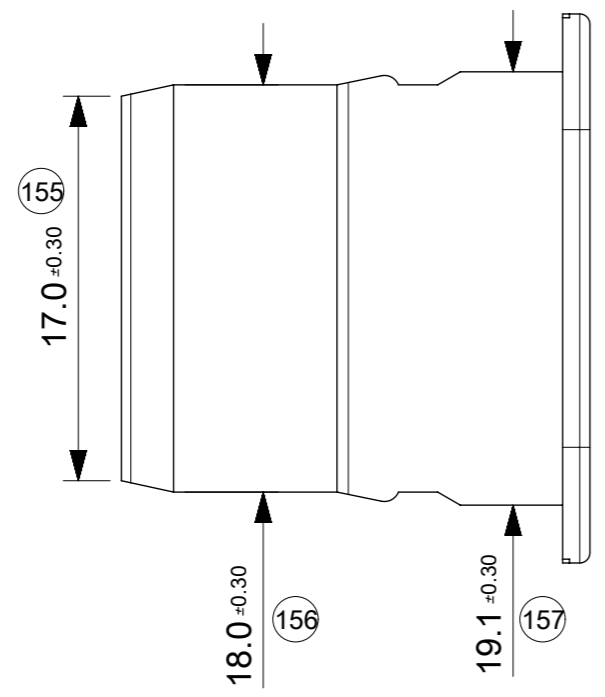
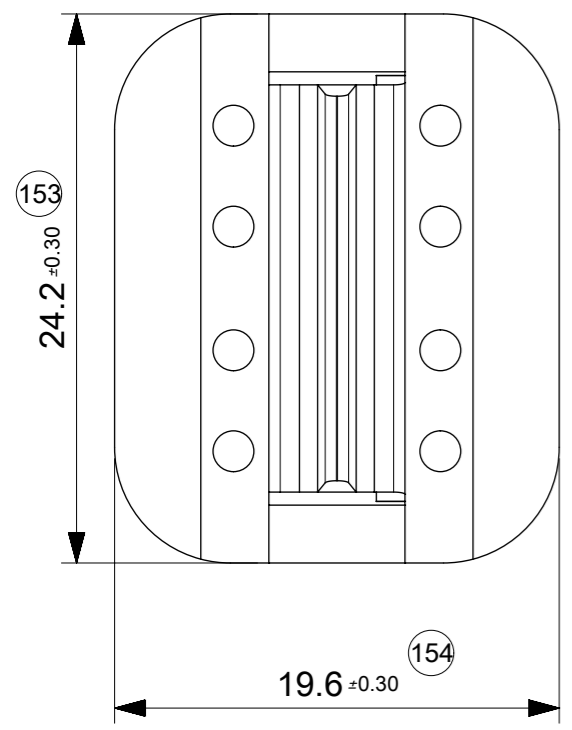
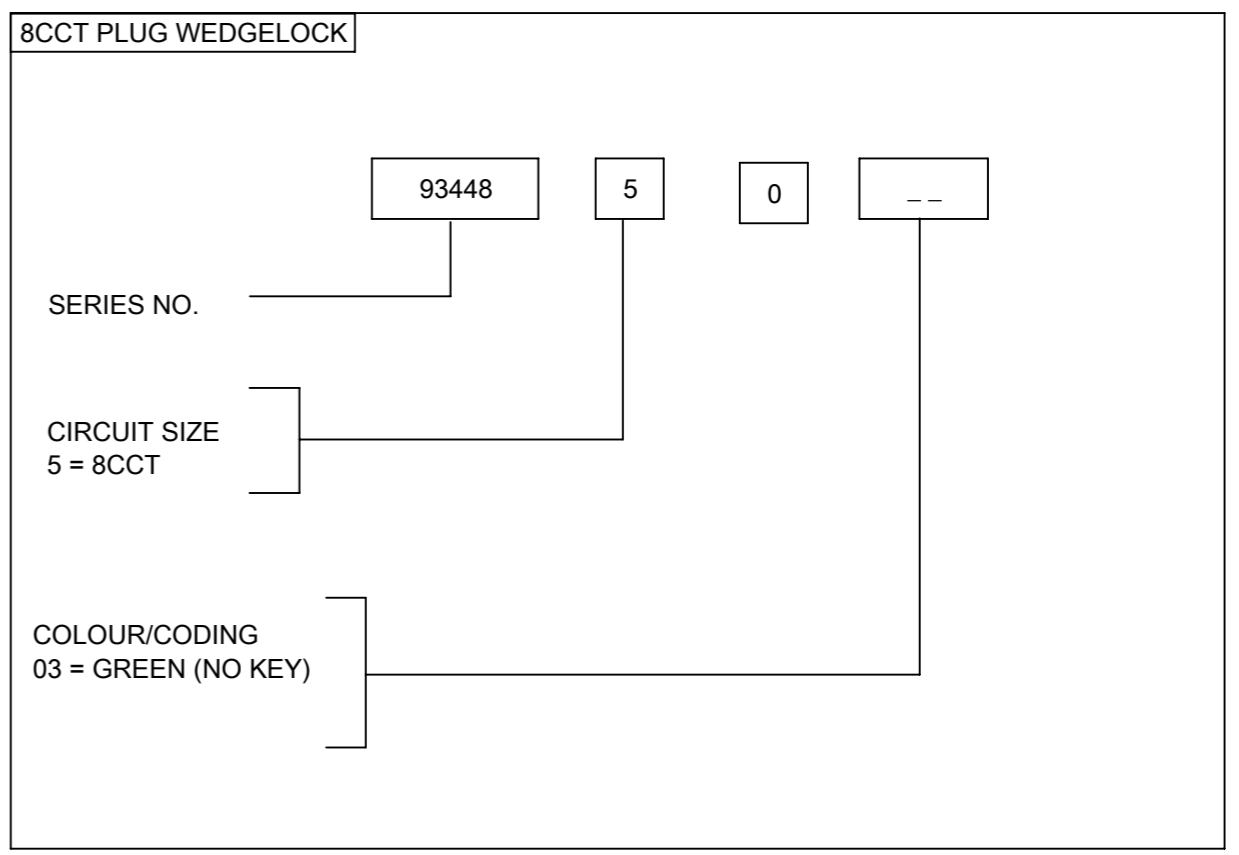
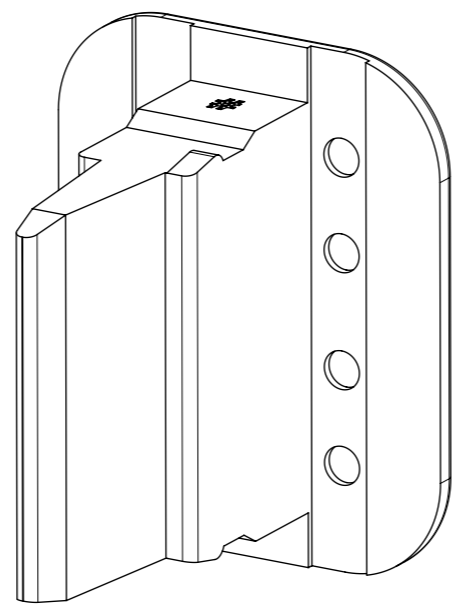
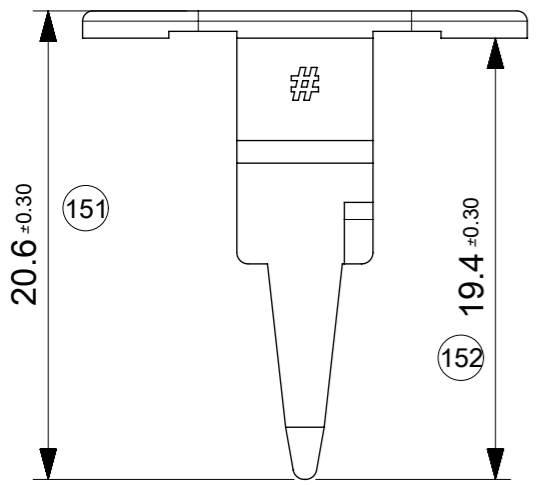
KEYING OPTION C

KEYING OPTION D



NOTES:
1. SEE SHEETS 6 & 7 FOR UNSPECIFIED NOTES & DIMENSIONS

QUALITY SYMBOLS A = 0 E = 0 F = 0 G = 0 H = 0 I = 0 J = 0 K = 0 L = 0 M = 0 N = 0 O = 0				THIS DRAWING CONTAINS INFORMATION THAT IS PROPRIETARY TO MOLEX ELECTRONIC TECHNOLOGIES, LLC AND SHOULD NOT BE USED WITHOUT WRITTEN PERMISSION				DIMENSION UNITS MM			SCALE 2:1		
REDRAWN AND REVISED EC NO: 102137 DRWN: JFLETCHER CHK'D: FDUGGAN APPR: JDWALLACE		2016/01/05 2016/01/12 2016/01/14		GENERAL TOLERANCES (UNLESS SPECIFIED) ANGULAR TOL ± 2.0 °		DRWN BY JFLETCHER		DATE 2016/01/05					
4 PLACES ± 3 PLACES ± 2 PLACES ± 0.1 1 PLACE ± 0.2 0 PLACES ±		DRAFT WHERE APPLICABLE MUST REMAIN WITHIN DIMENSIONS		CHK'D BY FDUGGAN		DATE 2016/01/12		8CCT ML-XT CV CONNECTOR SYSTEM PRODUCT CUSTOMER DRAWING					
DRAWING SIZE A3		THIRD ANGLE PROJECTION		APPR BY JDWALLACE		DATE 2016/01/14					SERIES 93443	MATERIAL NUMBER SEE NOTES	
RELEASE STATUS P1 RELEASE DATE 14.01.2016 09:58:49				DOCUMENT NUMBER 934430050		DOC TYPE PSD	DOC PART 000	SHEET NUMBER 8 OF 9					



NOTES:
 1. MATERIAL: NYLON, 30% GLASS FILLED
 INSPECTION NUMBERS 151 - 200 USED FOR SHEET 9.
 LAST INSPECTION NUMBER 157

QUALITY SYMBOLS ▽A = 0 ▽E = 0 ▽F = 0 ▼ = 0 ▽C = 0 ⊠ = 0 ■ = 0 ▽ = 0		THIS DRAWING CONTAINS INFORMATION THAT IS PROPRIETARY TO MOLEX ELECTRONIC TECHNOLOGIES, LLC AND SHOULD NOT BE USED WITHOUT WRITTEN PERMISSION		DIMENSION UNITS MM		SCALE 3:1					
REDRAWN AND REVISED EC NO: 102137 DRWN: JFLETCHER CHK'D: FDUGGAN REV APPR: JDWALLACE		GENERAL TOLERANCES (UNLESS SPECIFIED) ANGULAR TOL ± 2.0 °		DRWN BY JFLETCHER		DATE 2016/01/05					8CCT ML-XT CV CONNECTOR SYSTEM
		4 PLACES ± 3 PLACES ± 2 PLACES ± 0.1 1 PLACE ± 0.2 0 PLACES ±		CHK'D BY FDUGGAN		DATE 2016/01/12		PRODUCT CUSTOMER DRAWING			
		DRAFT WHERE APPLICABLE MUST REMAIN WITHIN DIMENSIONS		APPR BY JDWALLACE		DATE 2016/01/14					SERIES 93443
RELEASE STATUS P1 RELEASE DATE 14.01.2016 09:58:49				DRAWING SIZE A3		THIRD ANGLE PROJECTION		DOCUMENT NUMBER 934430050	DOC TYPE PSD	DOC PART 000	SHEET NUMBER 9 OF 9