

DK__ DRIP SHIELD KIT

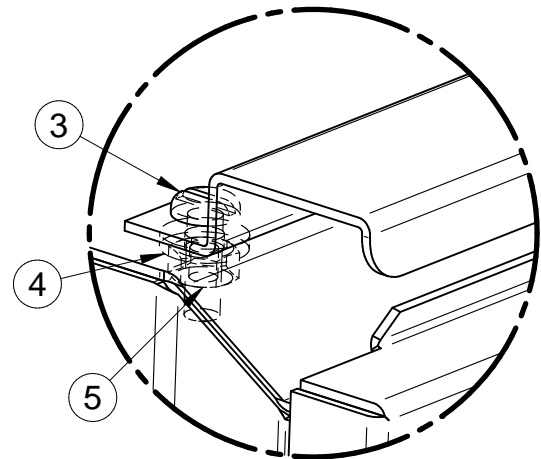
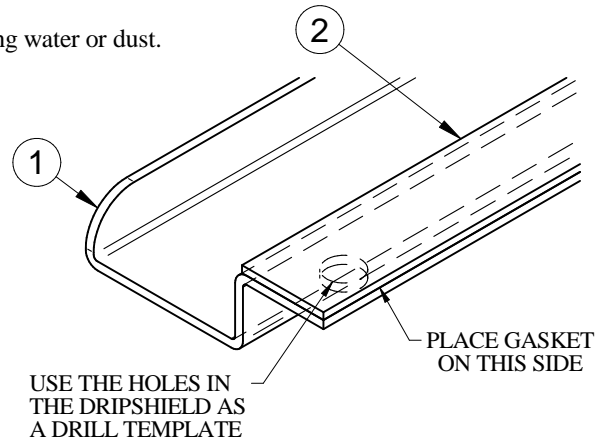
BUL86010

REV. D

The Hammond dripshield protects the door hardware from continuously falling water or dust.

ASSEMBLY INSTRUCTIONS

- A) Line the offset edge of the dripshield up with the front edge of the enclosure and centered on the enclosure. See DETAIL A.
- B) Using the dripshield (PART 1) as a template, mark the hole positions and drill the 17/64 (or 9/32)"/6.7MM (or 7.1MM) diameter holes.
- C) Stick the gasket (PART 2) to the dripshield and pierce the holes with a sharp pointed object.
- D) Fasten the dripshield in place using the provided screws, sealing washers, and hex nuts. (PARTS 3, 4, & 5). The screw heads must be outside the enclosure and the neoprene side of the sealing washer against the inside of the enclosure top.



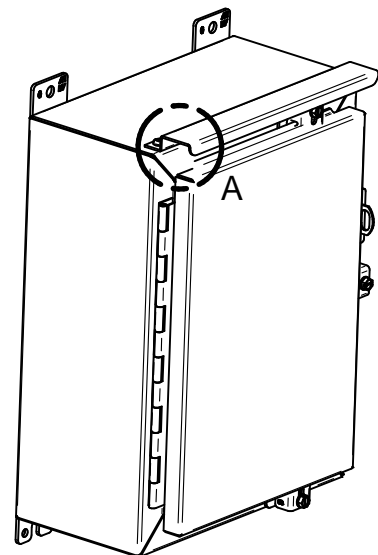
DETAIL A

STANDARD SIZES:

ENCLOSURE WIDTH	KIT NUMBER	KIT NUMBER	KIT NUMBER
12 INCHES	DK12S16	DK12GY	DK12LG
16 INCHES	DK16S16	DK16GY	DK16LG
20 INCHES	DK20S16	DK20GY	DK20LG
24 INCHES	DK24S16	DK24GY	DK24LG
30 INCHES	DK30S16	DK30GY	DK30LG
36 INCHES	DK36S16	DK36GY	DK36LG
42 INCHES		DK42GY	DK42LG
48 INCHES		DK48GY	DK48LG
60 INCHES		DK60GY	DK60LG
72 INCHES		DK72GY	

OTHER SIZES

- Dripshield kits for other lengths can be built to your specifications.
- Standard dripshields may be field cut to satisfy odd length requirements.



TOOL BOX	Pencil	Tape Measure	Centre Punch	Electric Drill 17/64 (OR 9/32)"/ 6.7mm (OR 7.1mm) Bit	3/8" OR 7/16" Socket Wrench	Hammer

