

THIS DRAWING IS UNPUBLISHED. RELEASED FOR PUBLICATION 20  
 © COPYRIGHT 20 BY - ALL RIGHTS RESERVED.

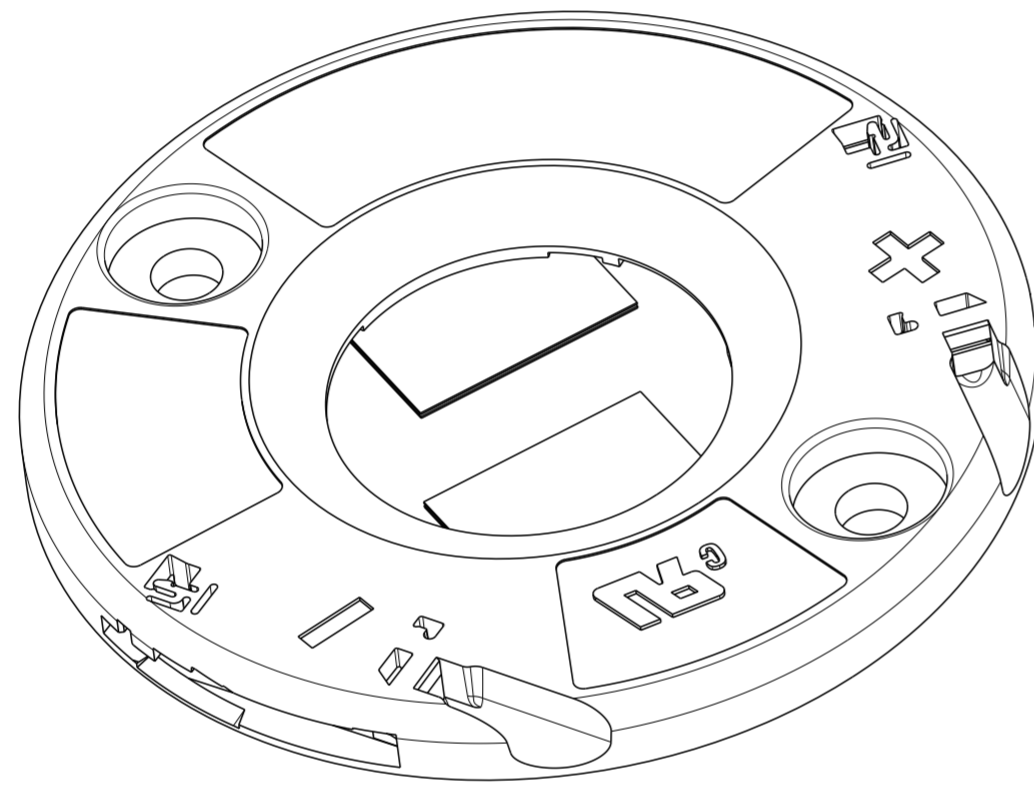
REVISIONS					
P	LTR	DESCRIPTION	DATE	DWN	APVD
3		REVISE TITLE	11APR2018	JL	JL
4		ADDED UR LOGO	13APR2018	JS	JL
5		ADDED PHILIPS LED	03MAY2018	JL	JL
A		ECR-18-007396	16MAY2018	GCM	JL

1 MATERIALS:  
 HOLDER: PBT ,COLOR: NATURAL;  
 CONTACTS: COPPER ALLOY, Au/Ni PLATING (LED INTERFACE)

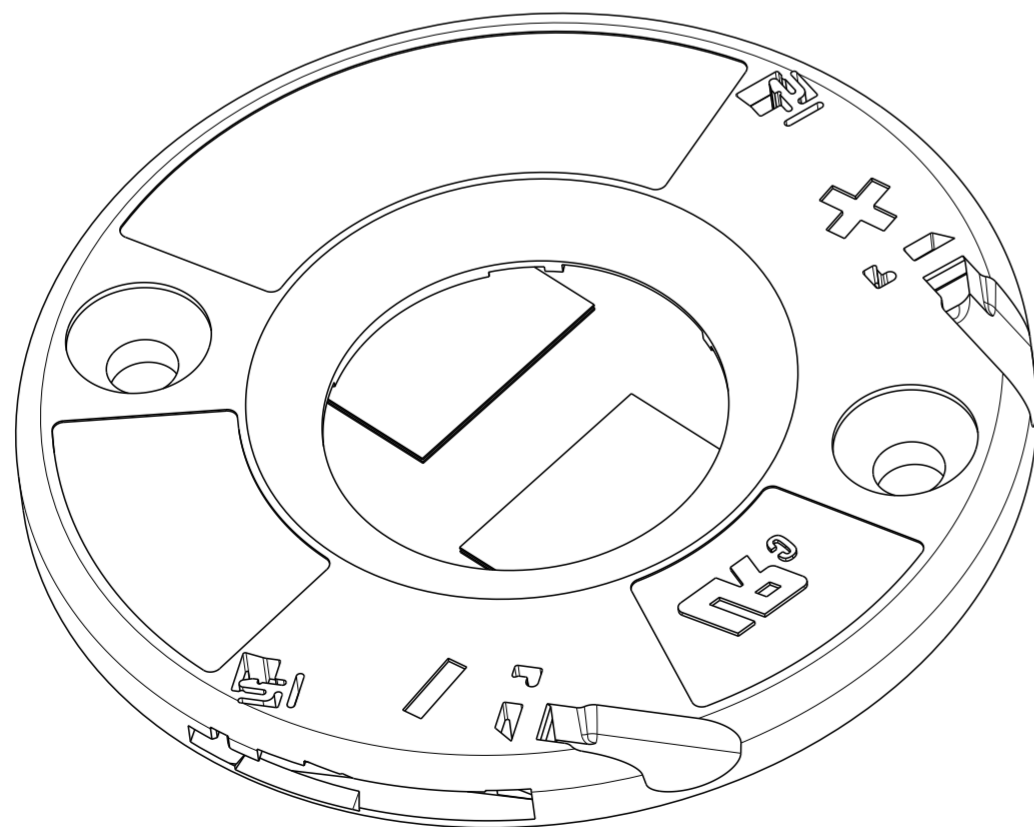
- FOR SOLID, FUSED AND STRANDED CONDUCTOR WIRE TYPES AWG 18 AND 20
- WIRE STRIP LENGTH: 11-12mm
- MAX. WIRE INSULATION OUTER DIA:  $\varnothing 2,3\text{mm}$
- RECOMMENDED SCREW TORQUE: 0.4-0.6 N-m
- SCREWS TO BE USED: M3, #4-40
- LED MATING ON 2 CORNERS WITH ADHESIVE TAPE 3M 468MP.

8 LAYOUTS ON SHEET 3

LED MFG.	LED NAME	LED MODEL	PAN HEAD SCREW P/N	COUNTERSINK SCREW P/N	LAYOUT 8
TBD	TBD	TBD	2325811-3	1-2325811-3	B
EVERLIGHT		EAHP2024	2325811-2	1-2325811-2	A
LUMILEDS	LUMILEDS	1204	2325811-2	1-2325811-2	A
		1205	2325811-2	1-2325811-2	A
		1208	2325811-2	1-2325811-2	A
		1204CRSP	2325811-2	1-2325811-2	A
		1205CRSP	2325811-2	1-2325811-2	A
		1208CRSP	2325811-2	1-2325811-2	A
		1204 GEN 3	2325811-2	1-2325811-2	A
		1205 GEN 3	2325811-2	1-2325811-2	A
	1208 GEN 3	2325811-2	1-2325811-2	A	
PHILIPS	FORTIMO	SLM C PW G6 2024	2325811-2	1-2325811-2	A
SHARP	MEGA ZENIGATA	GW5DGC**M04	2325811-2	1-2325811-2	A
	MEGA TUNEABLE WHITE	GW6TGBJC50C	2325811-2	1-2325811-2	A



PAN HEAD SCALE 3:1



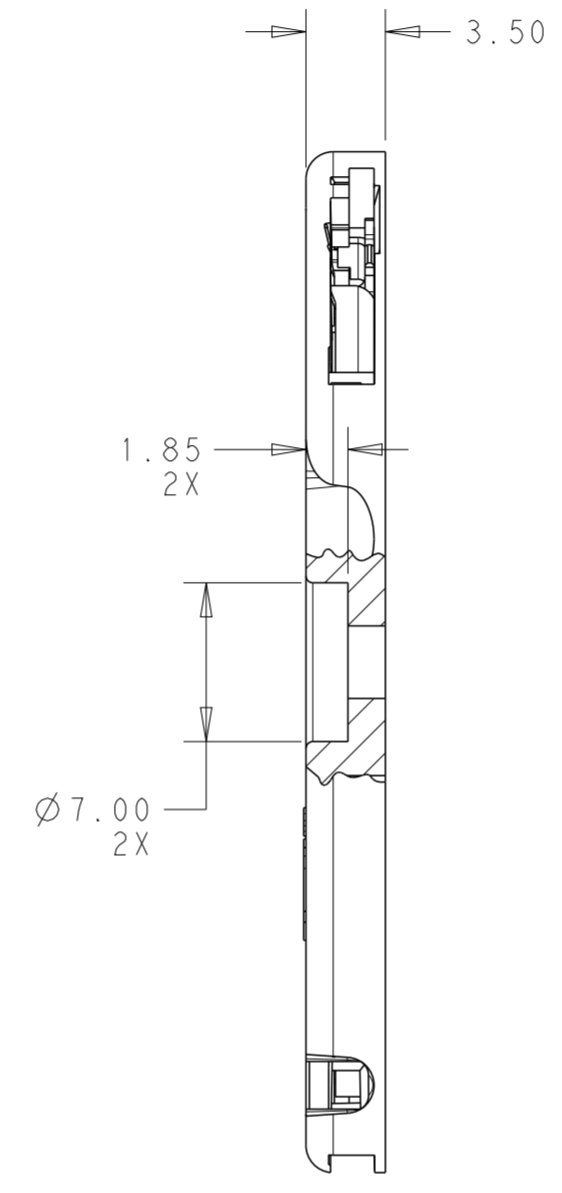
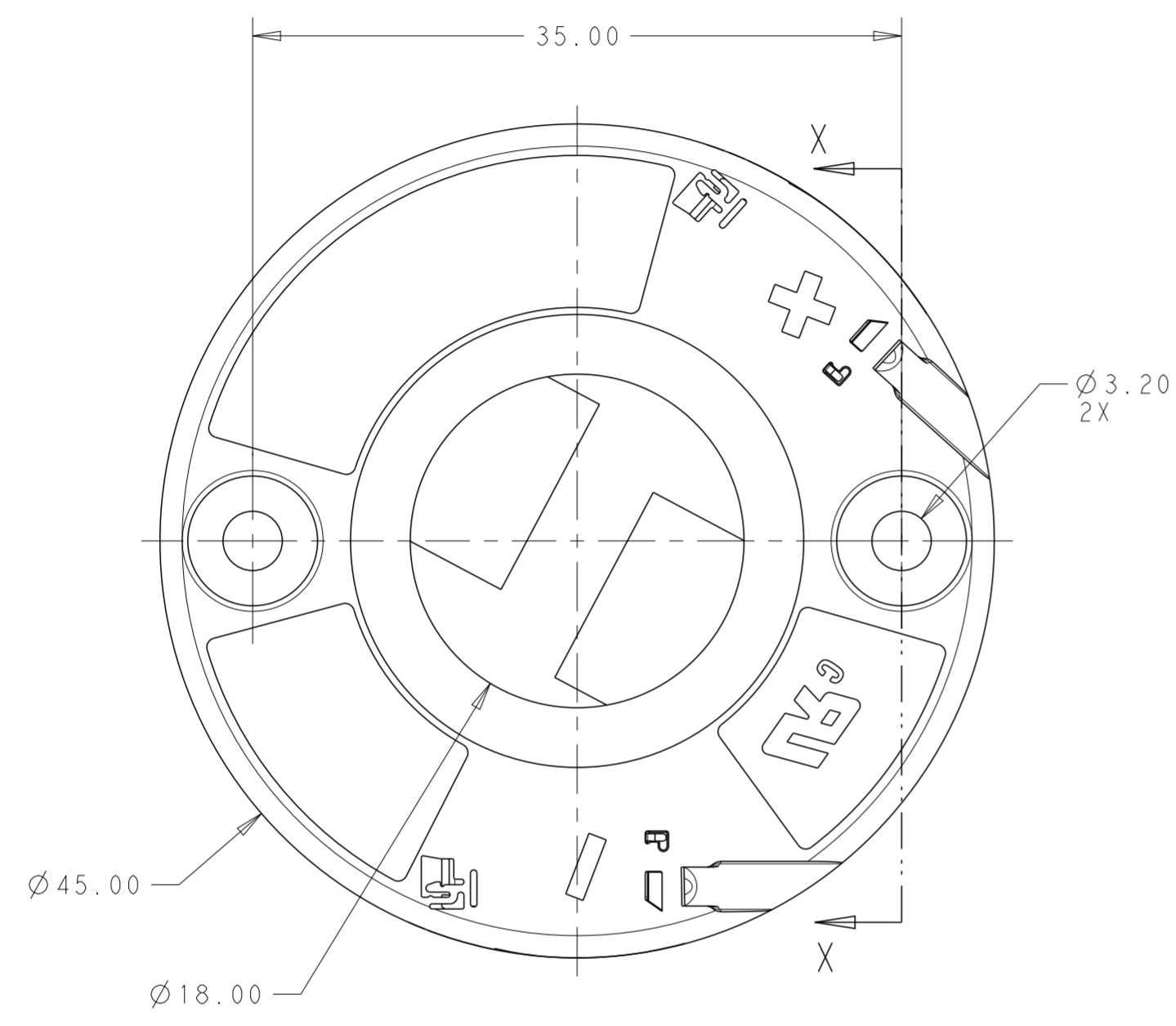
COUNTERSINK SCALE 3:1

B	COUNTERSINK	1-2325811-3
B	PAN HEAD	2325811-3
A	COUNTERSINK	1-2325811-2
A	PAN HEAD	2325811-2
LED LAYOUT		DESCRIPTION
		PART NO.

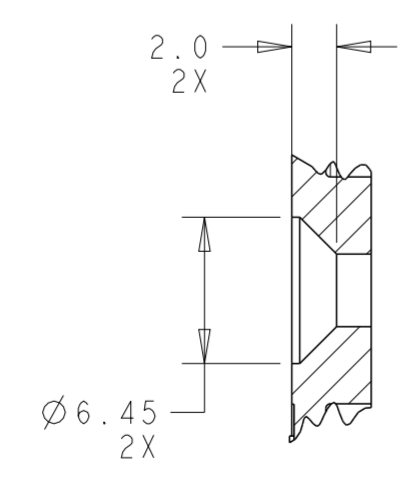
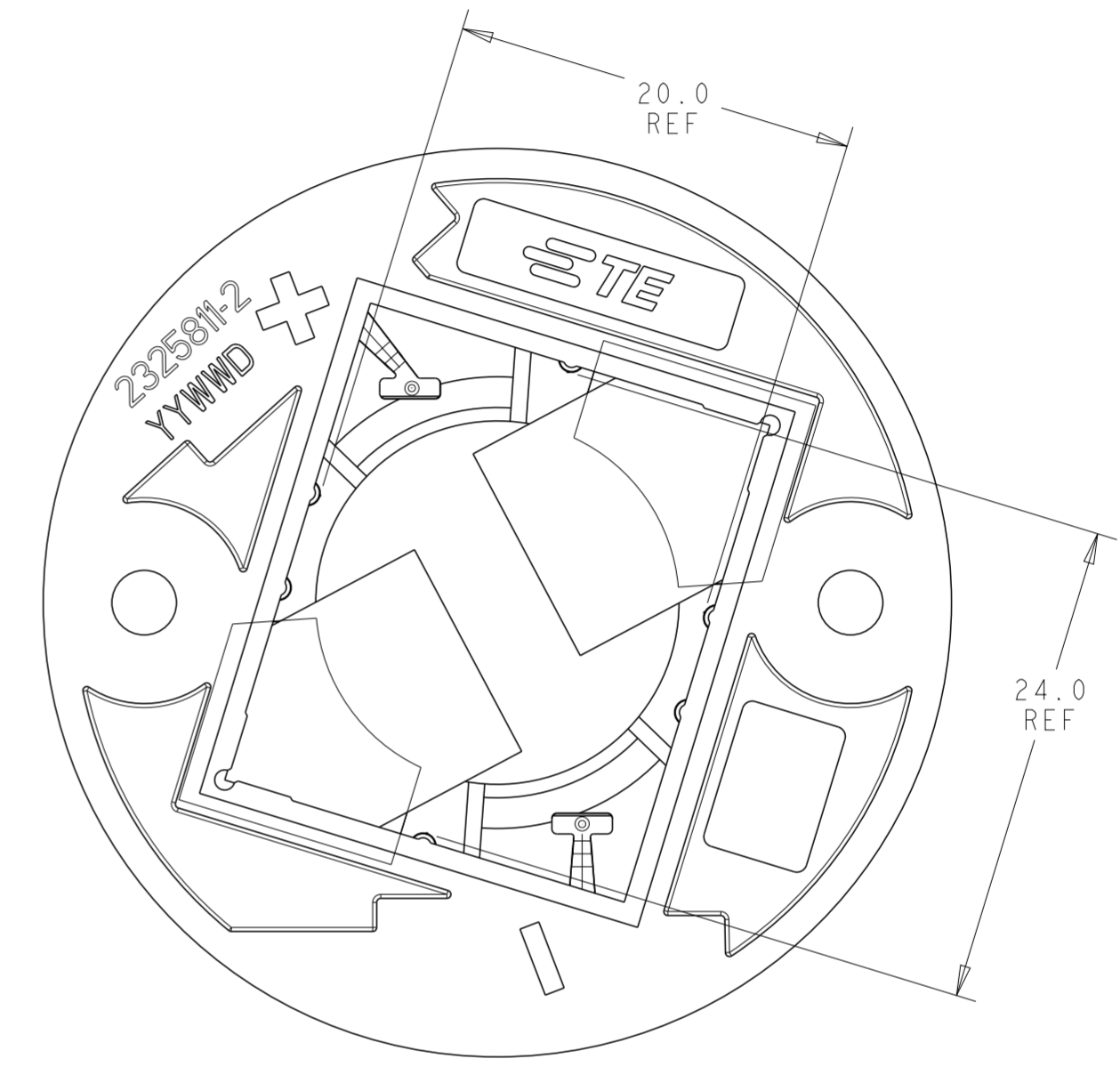
THIS DRAWING IS A CONTROLLED DOCUMENT.		DWN C. DAILY 20DEC2017	TE Connectivity	
		CHK J. LATORRE 20DEC2017		
DIMENSIONS: mm		APVD -	NAME LED HOLDER, 20x24 LUMAWISE Z45 LED	
TOLERANCES UNLESS OTHERWISE SPECIFIED:		PRODUCT SPEC 108-133062	SIZE A2	
0 PLC ±		APPLICATION SPEC 114-133107	CAGE CODE 00779	DRAWING NO C-2325811
1 PLC ±0.2		WEIGHT -	RESTRICTED TO -	
2 PLC ±0.13		CUSTOMER DRAWING		
3 PLC ±		SCALE 4:1 SHEET 1 OF 3 REV A		
4 PLC ±				
ANGLES ±2°				
FINISH -				
MATERIAL 1				

THIS DRAWING IS UNPUBLISHED. RELEASED FOR PUBLICATION 20  
 © COPYRIGHT 20 BY - ALL RIGHTS RESERVED.

REVISIONS				
P	LTR	DESCRIPTION	DATE	APVD
-	-	SEE SHEET 1	-	-



SECTION X - X



SECTION X - X  
 1-2325811-2 SHOWN  
 SCALE 3:1

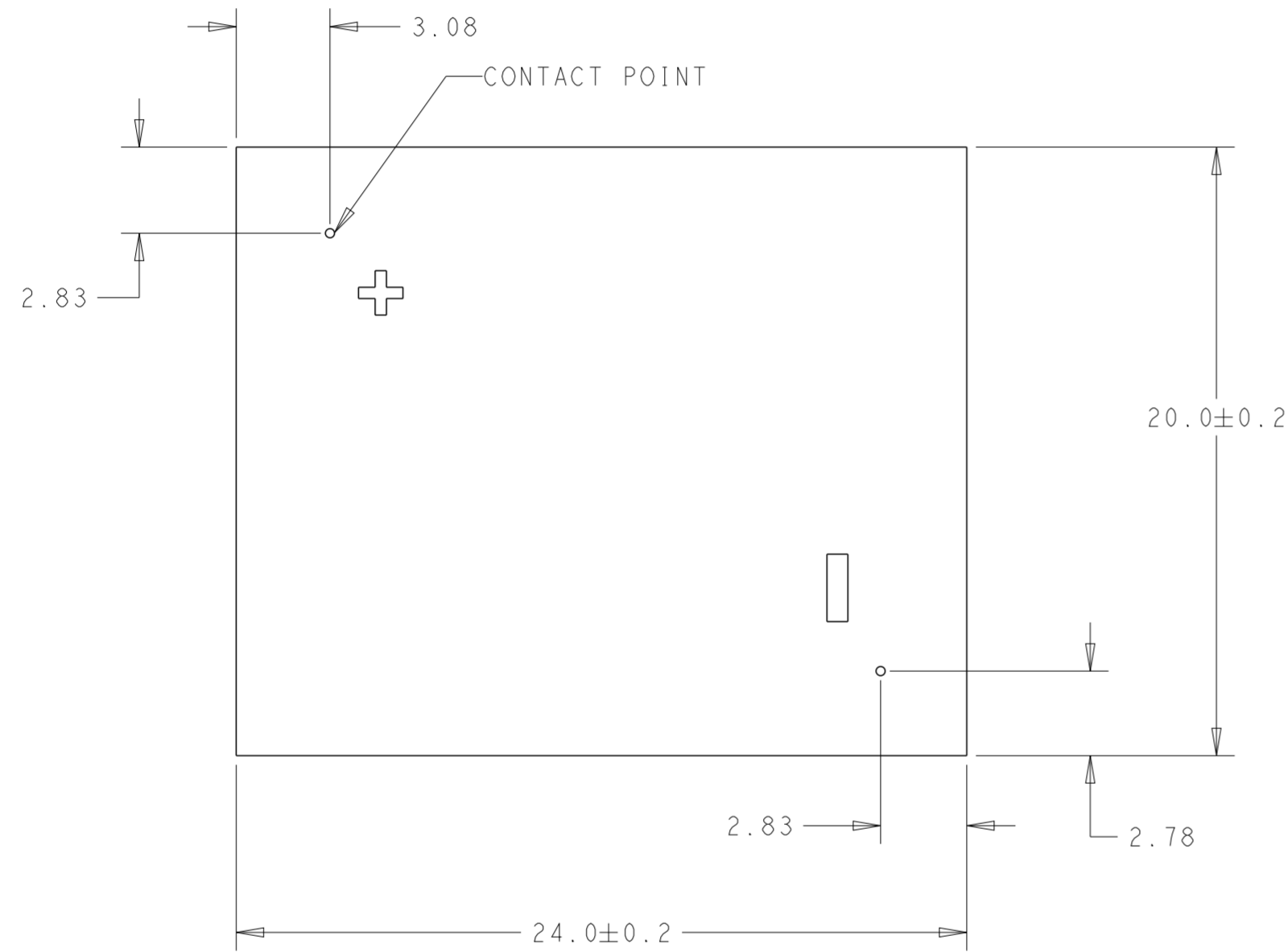
2325811-2 SHOWN  
 SCALE 3:1

THIS DRAWING IS A CONTROLLED DOCUMENT.		DWN C. DAILY 20DEC2017	TE Connectivity	
		CHK J. LATORRE 20DEC2017		
DIMENSIONS:		APVD -	NAME LED HOLDER, 20x24 LUMAWISE Z45 LED	
mm	TOLERANCES UNLESS OTHERWISE SPECIFIED:	PRODUCT SPEC 108-133062	SIZE -	
	0 PLC ±	APPLICATION SPEC 114-133107	CAGE CODE A200779	DRAWING NO C-2325811
	1 PLC ±0.2	WEIGHT -	RESTRICTED TO -	
	2 PLC ±0.13	CUSTOMER DRAWING	SCALE 4:1	SHEET 2 OF 3
	3 PLC ±		REV A	
	4 PLC ±			
	ANGLES ±2°			
	FINISH			

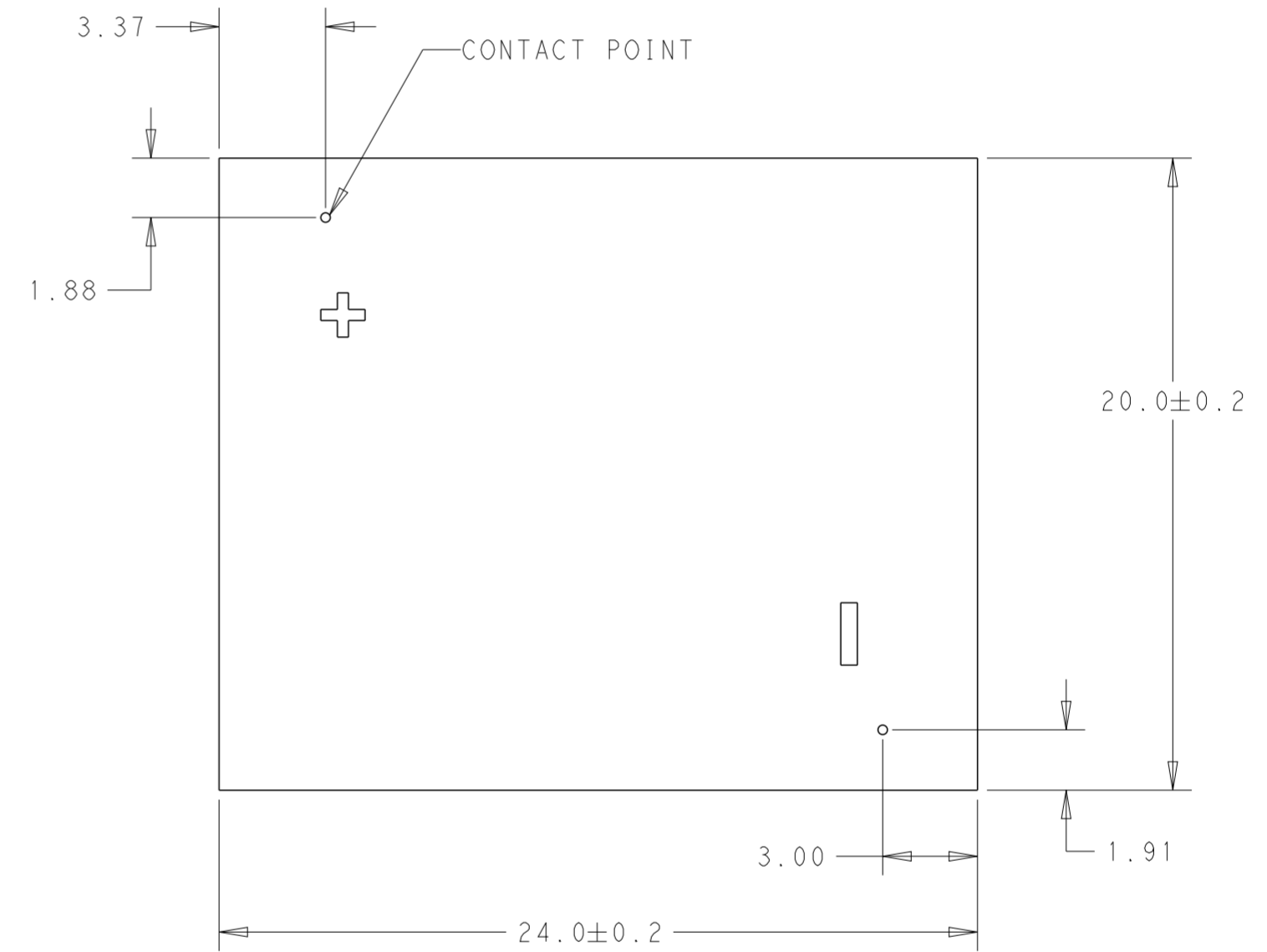
THIS DRAWING IS UNPUBLISHED. RELEASED FOR PUBLICATION 20  
 © COPYRIGHT 20 BY - ALL RIGHTS RESERVED.

REVISIONS				
P	LTR	DESCRIPTION	DATE	APVD
-	-	SEE SHEET 1	-	-

LED SUBSTRATE LAYOUT A  
TOP SIDE OF BOARD



LED SUBSTRATE LAYOUT B  
TOP SIDE OF BOARD



THIS DRAWING IS A CONTROLLED DOCUMENT.		DWN C. DAILY 20DEC2017	<b>STE</b> TE Connectivity	
		CHK J. LATORRE 20DEC2017		
DIMENSIONS: mm		TOLERANCES UNLESS OTHERWISE SPECIFIED:		APVD -
0 PLC ±		1 PLC ±0.2		PRODUCT SPEC 108-133062
2 PLC ±0.13		3 PLC ±		APPLICATION SPEC 114-133107
4 PLC ±		ANGLES ±2°		WEIGHT -
FINISH		-		SIZE A200779
MATERIAL -		-		CAGE CODE C-2325811
-		-		DRAWING NO -
-		-		RESTRICTED TO -
-		-		SCALE 5:1 SHEET 3 OF 3 REV A
-		-		CUSTOMER DRAWING