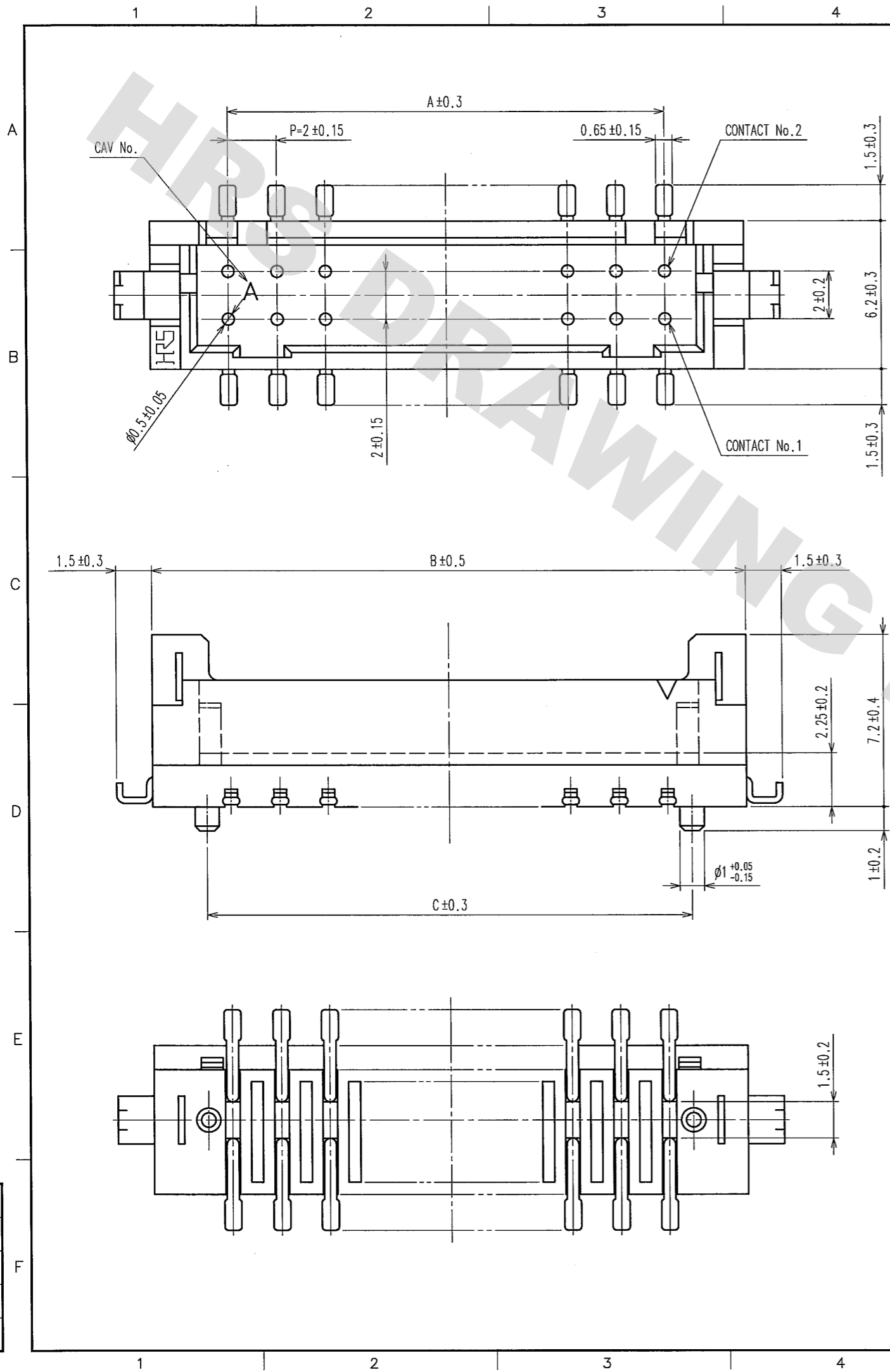
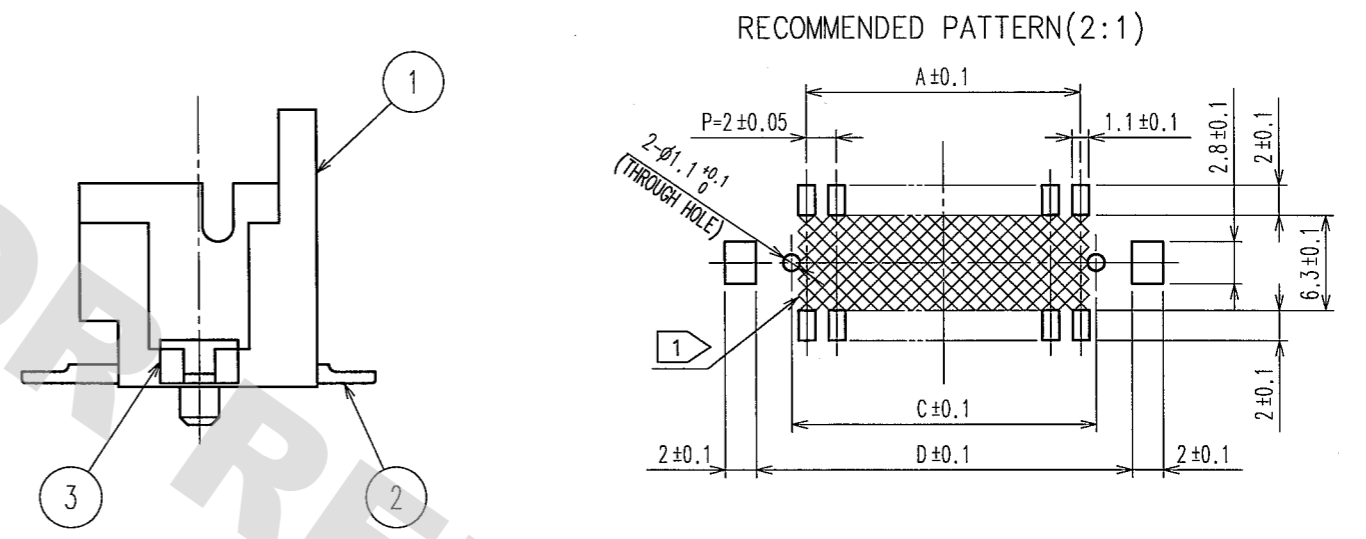


DRAWING FOR REFERENCE: This is subject to change without notice
08/11/2012



COUNT	DESCRIPTION OF REVISIONS	BY	CHKD	DATE	COUNT	DESCRIPTION OF REVISIONS	BY	CHKD	DATE
1	DIS-H-000128	I.D	H.U	'05.07.27					
3	DIS-H-002465	T.O	H.U	07.09.25					

CODE No.	PART No.	NUMBER OF CONTACT	A	B	C	D
CL543-2017-3-21	DF11Z- 4DP-2V(21)	4	2	8.5	4	8.7
CL543-2018-6-21	DF11Z- 6DP-2V(21)	6	4	10.5	6	10.7
CL543-2019-9-21	DF11Z- 8DP-2V(21)	8	6	12.5	8	12.7
CL543-2020-8-21	DF11Z-10DP-2V(21)	10	8	14.5	10	14.7
CL543-2021-0-21	DF11Z-12DP-2V(21)	12	10	16.5	12	16.7
CL543-2022-3-21	DF11Z-14DP-2V(21)	14	12	18.5	14	18.7
CL543-2023-6-21	DF11Z-16DP-2V(21)	16	14	20.5	16	20.7
CL543-2024-9-21	DF11Z-18DP-2V(21)	18	16	22.5	18	22.7
CL543-2025-1-21	DF11Z-20DP-2V(21)	20	18	24.5	20	24.7
CL543-2026-4-21	DF11Z-22DP-2V(21)	22	20	26.5	22	26.7
CL543-2027-7-21	DF11Z-24DP-2V(21)	24	22	28.5	24	28.7
CL543-2028-0-21	DF11Z-26DP-2V(21)	26	24	30.5	26	30.7
CL543-2029-2-21	DF11Z-28DP-2V(21)	28	26	32.5	28	32.7
CL543-2030-1-21	DF11Z-30DP-2V(21)	30	28	34.5	30	34.7
CL543-2031-4-21	DF11Z-32DP-2V(21)	32	30	36.5	32	36.7



NOTES 1: IF THERE IS PATTERN ON PART, THERE IS A POSSIBILITY THAT IT WILL MAKE CONTACT WITH THE LEADS.
2: LEAD CO-PLANARITY INCLUDE REINFORCED METAL FITTINGS SHALL BE 0.1mm MAX.

2	BRASS	SURFACE:TIN PLATED 1μ m min UNDER PLATING:NICKEL PLATED 0.5μ m min	5	POLYESTER	CLEAR(COVER TAPE)	
1	POLYAMIDE	UL94V-0, NATURAL (BEIGE)	4	J	CLEAR(EMBOSSED CARRIER TAPE)	
NO.	MATERIAL	FINISH, REMARKS	NO.	MATERIAL	FINISH, REMARKS	
3	BRASS	TIN PLATED 1μ m min				
CODE NO. (OLD)		DRAWN	DESIGNED	CHECKED	APPROVED	RELEASED
		F.Matsuki	I.Denpouya	T.Miyazaki	T.Miyazaki	
		'05.01.18	'05.01.18	'05.01.20	'05.01.20	
DRAWING NO.		PART NO.				
EDC3-306017-02		DF11Z-*DP-2V(21)				
SCALE		CODE NO.				
5 : 1		CL543-				
UNITS		HIROSE ELECTRIC CO., LTD				
mm						

