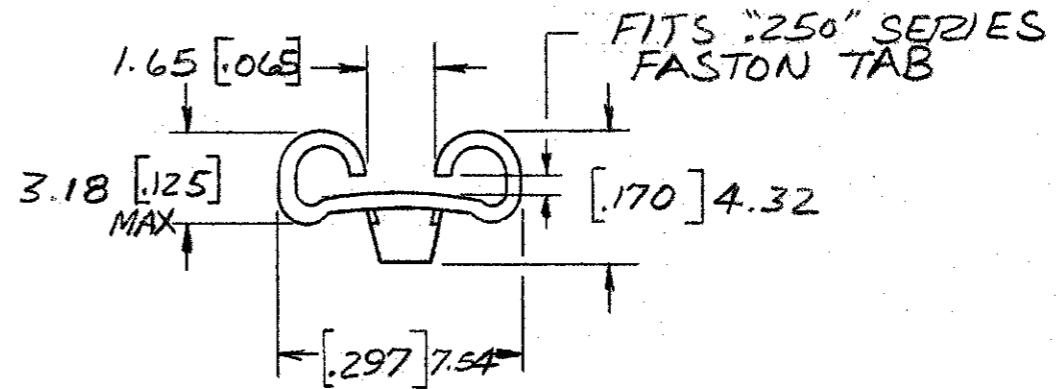
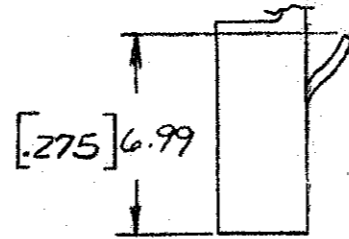
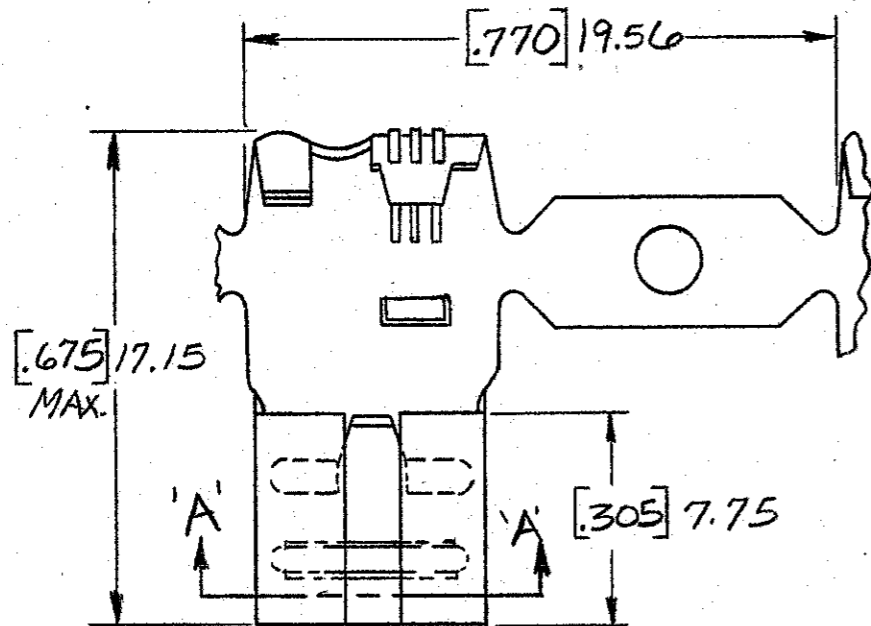


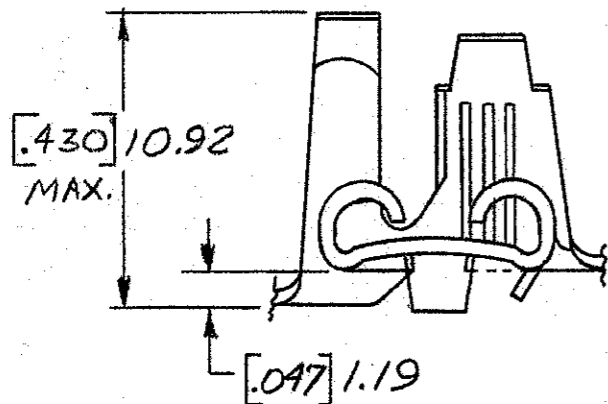
THIS DRAWING IS UNPUBLISHED. RELEASED FOR PUBLICATION, 19

© COPYRIGHT 19 BY AMP INCORPORATED, HARRISBURG, PA. ALL INTERNATIONAL RIGHTS RESERVED. AMP PRODUCTS MAY BE COVERED BY U.S. AND FOREIGN PATENTS AND/OR PATENTS PENDING.

REVISIONS						
P	F	ZONE	LTR	DESCRIPTION	DATE	APPROVED
✓	✓		F	REDRAWN	1/24/83	JR/P
	✓		G	OBS. -1 & -4 AF-1544	1/14/86	JR/MF
	✓		H	REACT -2 AF-5542	9/2/88	JR/MF
	✓		J	REACT -1 & OBS -2 AF-5671	10/26/88	JR/MF
	✓		K	REVISED AF-6676	2/11/90	JR/MF
			L	OBS -1 PER 0710-0278-95	6/26/95	JR/MF
			M	REV PER 063A-1006-05	3-4-05	MF/



SECTION A-A



1 - DIM'S. IN BRACKETS ARE IN INCHES
2 - CONTINUOUS STRIP ON REELS

	TIN	PHOS. BRZ.	[.110-.210] 2.79-5.33	[18-12] 0.8-3.0mm ²	[.032] 0.81	42284-5
OBSOLETE	NONE	PHOS. BRZ.	[.110-.210] 2.79-5.33	[18-12] 0.8-3.0mm ²	[.032] 0.81	42284-4
OBSOLETE	SILVER	BRASS	[.110-.210] 2.79-5.33	[18-12] 0.8-3.0mm ²	[.032] 0.81	42284-3
OBSOLETE	TIN	BRASS	[.110-.210] 2.79-5.33	[18-12] 0.8-3.0mm ²	[.032] 0.81	42284-2
OBSOLETE	NONE	BRASS	[.110-.210] 2.79-5.33	[18-12] 0.8-3.0mm ²	[.032] 0.81	42284-1

FINISH	MATL.	INSULATION RANGE	WIRE SIZE	TAB THK.	PART NO
UNLESS OTHERWISE SPECIFIED DIMENSIONS ARE IN INCHES. METRIC TOLERANCES ON: DECIMALS [±.015] 0.38 ANGLES [±] 0.38	[.016] 0.41				
CONTRACT NO		AMP INCORPORATED Harrisburg, Pa.			
DR <i>JR Pott</i> 1-24-83		NAME .250 SERIES FLAG FASTIN-FASTON RECEPTACLE			
CHK <i>G. Yetter</i> 1-25-83		SIZE B FSCM NO 00779 DRAWING NO 42284			
APPD <i>J. K...</i> 1/25/83		SCALE <i>H</i> SHEET			
APPD <i>J. K...</i> 1/16/83					
DSGN APPD					
OTHER APPD					
FINISH SEE ABOVE					

METRIC