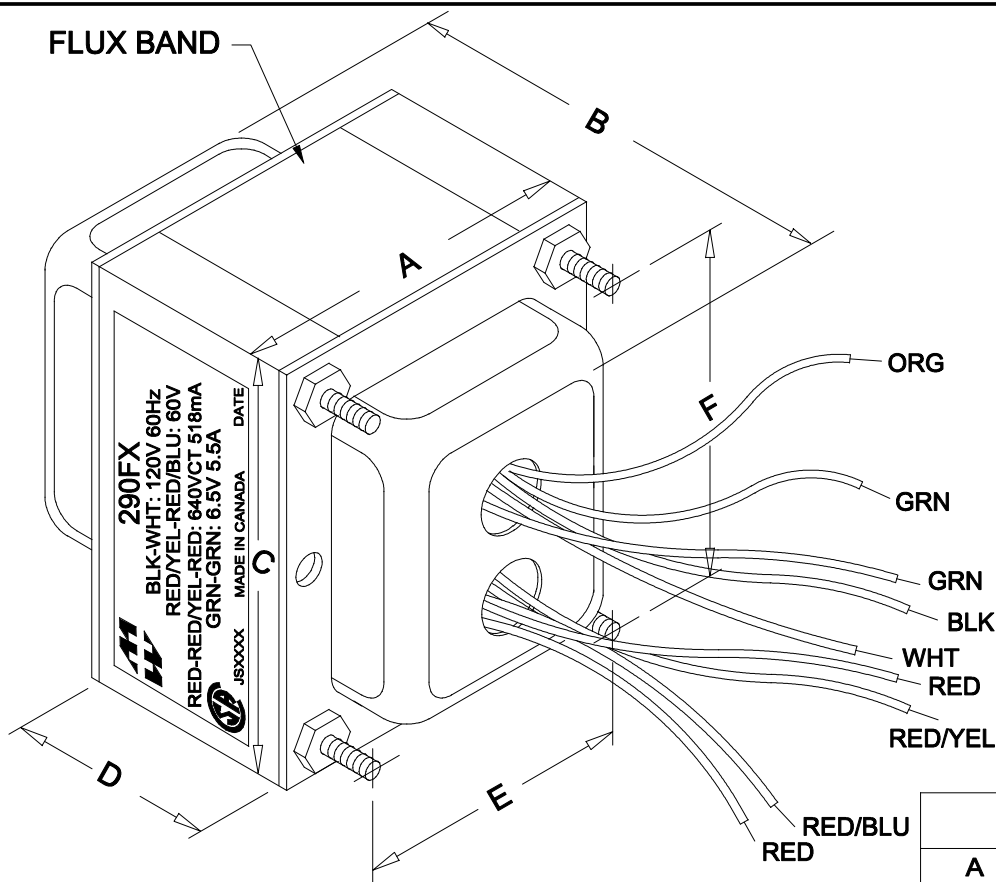
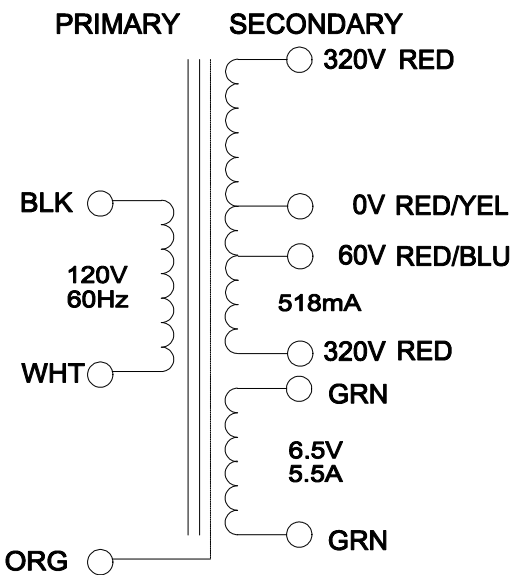


290FX



NOTE: ALL LEADS 9" OUT MIN., STRIPPED .5"

DIMENSIONS:	
A	3.750" ±0.063
B	4.690" ±0.125
C	4.500" ±0.063
D	2.370" ±0.063
E	3.000" ±0.063
F	3.750" ±0.063



ELECTRICAL DATA:	
Turns ratio:	1 : 5.54 ( RED - RED)
Exciting Current	@ 120V, 60Hz, BLK - WHT = 500mA      Max.
DCR	@ 20C, WHT - BLK = 0.785 Ω      ±20%
	@ 20C, RED - RED = 20.82 Ω      ±20%
	@ 20C, GRN - GRN = 0.038 Ω      ±20%
Pri. Voltage	120V 60Hz
Sec. Voltage (RMS)	640VCT @ 517.5mA C/W 60V TAP, 6.5V @ 5.5A
No Load Voltage	665.26VCT/ 7.02V

**HAMMOND ELECTRONICS**

52 RANKIN PLACE,  
 WATERLOO, ONTARIO, N2L 3Z5.  
 PHONE (519) 886-8181  
 FAX # (519) 886-9540

TITLE			
Power Transformer			
			DR BY IOAN POP
1	08/11/09	RELEASED	DATE 05/12/09
NO	DATE	REVISION	DIM IN(X)MM( )

290FX