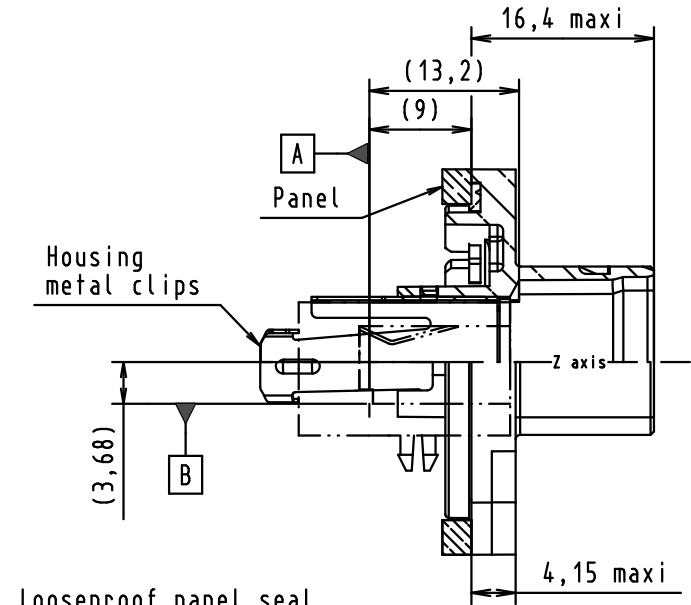
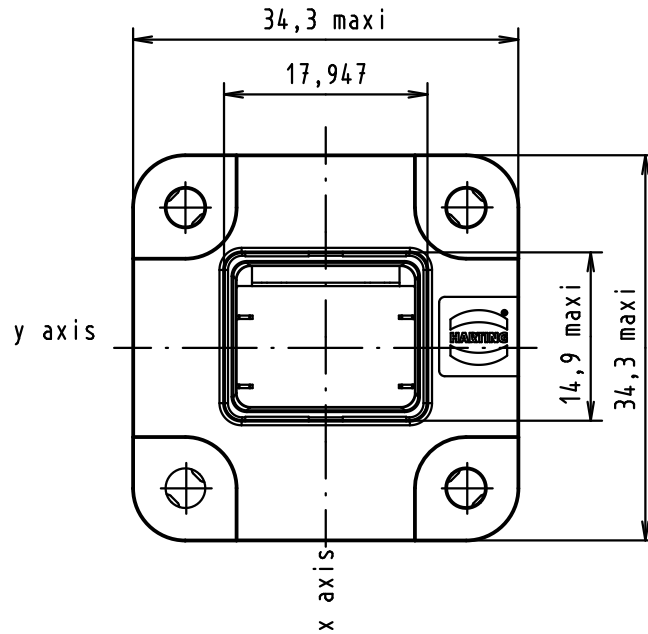
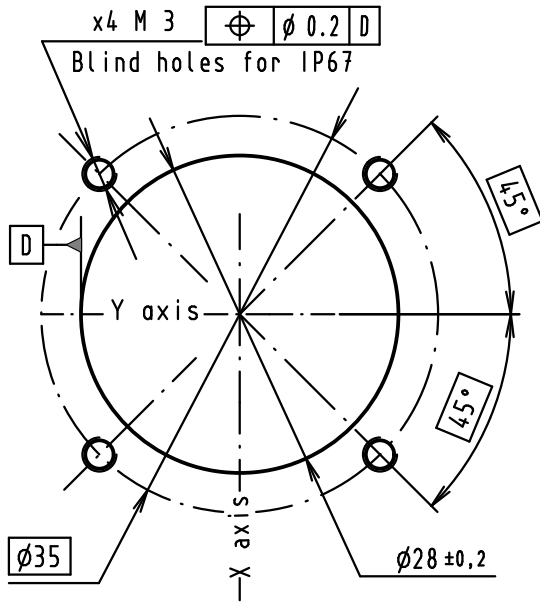
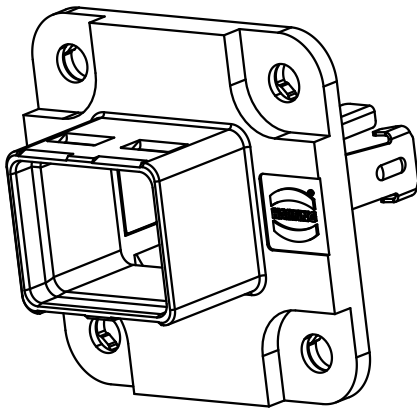
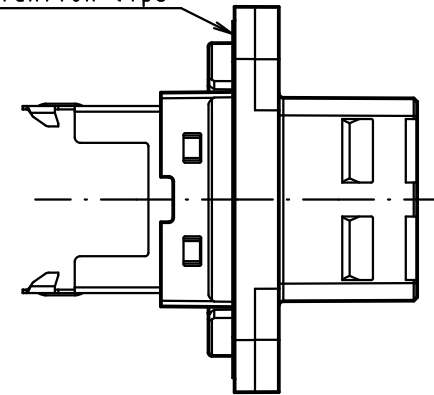


Panel cutting



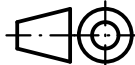
looseproof panel seal with screw retention lips



Connector pitch on panel = 35 mm
 Receptacle mating face acc. to
 IEC 61076-3-106 - variant 04

A, B jack references according to
 IEC 60603-7

Screwing by x4 M3 screws with flat washer
 Recommended screwing torque for IP67=0.5 N.m mini

Mod.	Dot.	Name	Detail.	Dot.	Name	 All Dim. in mm Orig. Size DIN A 3	HARTING PushPull Metal EasyInstall IP65/67 housing with fixing clip for RJ45 jacks	Maßstab/ Scale
36421	05/04/11	BD	Insp.	12/02/09	BD			1,5:1
36070	12/04/10	BD	Stand.	06/04/11	JMV			
35643	12/02/09	BD	HARTING EURL F-95972 Paris					
							TB 09 45 595 0031	Blatt/ Page
							Sub.	1 / 1